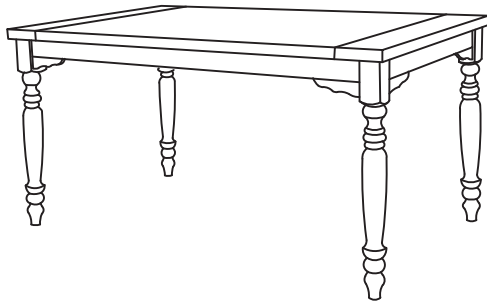


Progressive® ASSEMBLY INSTRUCTION



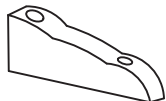
furniture Item No: D834-10







Description: DINING TABLE



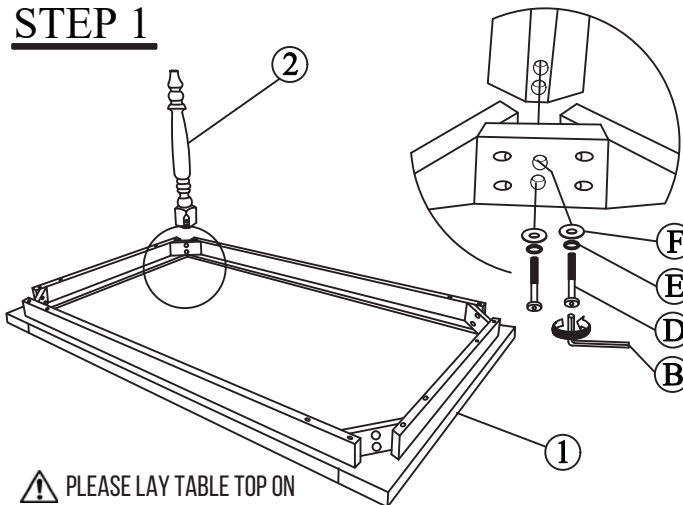
IMPORTANT NOTE :

- Place all wooden parts on a clean and smooth surface such as a rug or carpet to avoid the parts from being scratched.
- Check to be sure that you have all parts and hardware.
- Remove all wrapping materials, including staples & packing straps before you start to assemble.
- Do not tighten all screws/bolts until all completely assembled.
- Keep all hardware parts out of reach of children.

PARTS LIST		
NO.	COMPONENT	QTY.
1	TABLE TOP 	1 PCS
2	TABLE LEG 	4 PCS
3	SCALLOPED APRON 	8 PCS

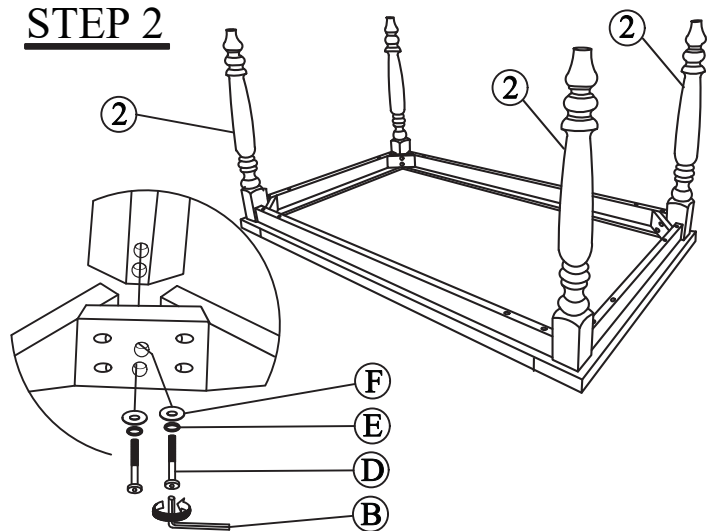
HARDWARE LIST		
NO.	DESCRIPTION	QTY.
A	M4 x 60MM ALLEN KEY 	1 PCS
B	M5 x 85MM ALLEN KEY 	1 PCS
C	M6 x 40MM JCBC BOLT 	16 PCS
D	M8 x 60MM JCBC BOLT 	8 PCS
E	M8 x 14MM SPRING WASHER 	8 PCS
F	M8 x 22MM FLAT WASHER 	8 PCS

STEP 1

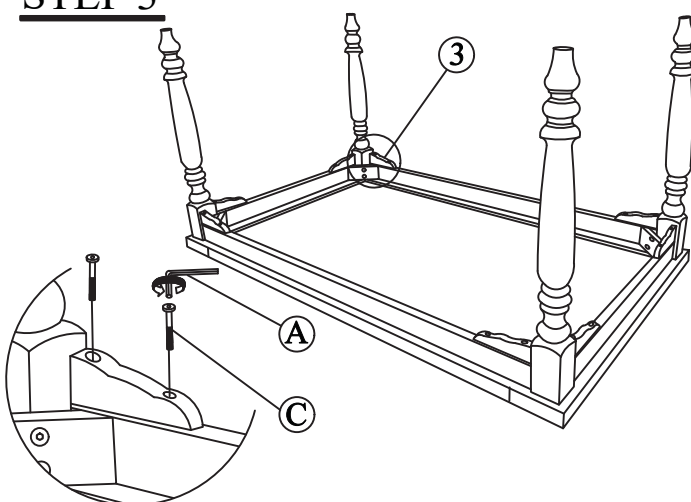


⚠ PLEASE LAY TABLE TOP ON SOFT, CLEAN SURFACE TO ASSEMBLE

STEP 2



STEP 3



STEP 4

