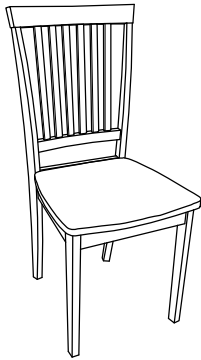


# ASSEMBLY INSTRUCTION

Item No: D418-61B/D418-61W

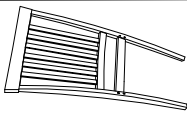
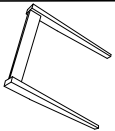
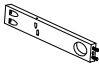

Description: DINING CHAIR






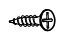



## IMPORTANT NOTE:

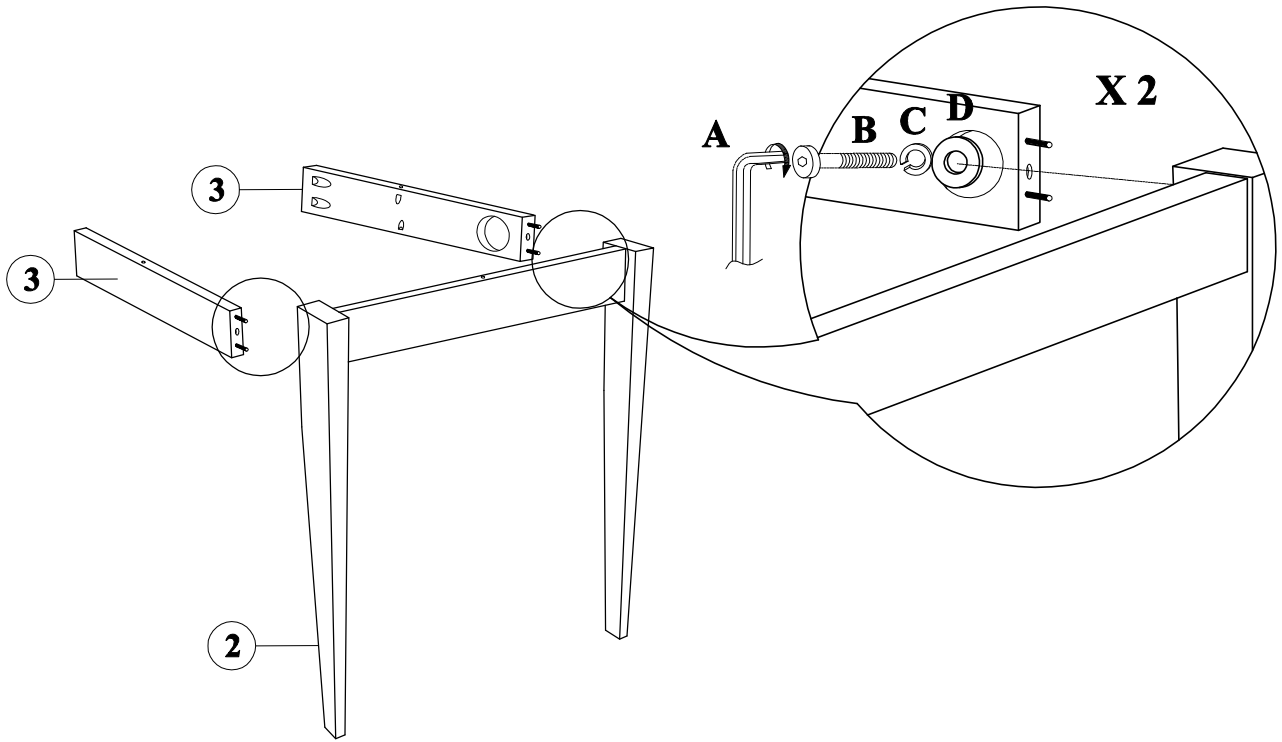
- Place all wooden parts on a clean and smooth surface such as a rug or carpet to avoid the parts from being scratched.
- Check to be sure that you have all parts and hardware.
- Remove all wrapping materials, including staples & packing straps before you start to assemble.
- Do not tighten all screws/bolts until all completely assembled.
- Keep all hardware parts out of reach of children.

*Each chair*

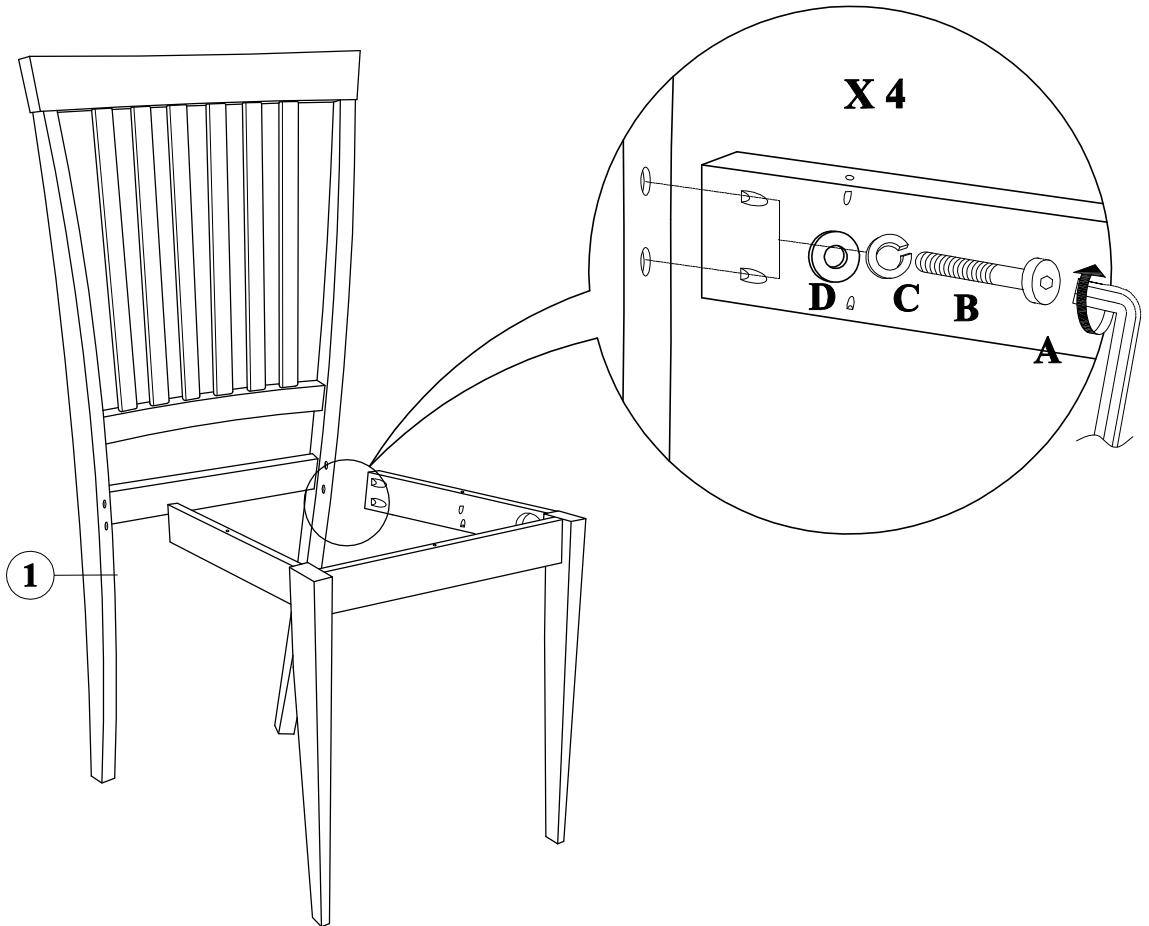
NO.	PARTS LIST		
	DESCRIPTION		QTY.
1	BACK MEMBER		1 PC
2	FRONT MEMBER		1 PC
3	SIDE PANEL		2 PCS
4	SEAT		1 PC

HARDWARE LIST			
NO.	DESCRIPTION		QTY.
A	ALLEN KEY M4 X 110MM		1 PC
B	JCBC BOLT M6 X 50MM		6PCS
C	SPRING WASHER 1/4"		6PCS
D	FLAT WASHER M6 X 13MM		6PCS
E	PAN HEAD CBS #8 X 1 1/4"		3PCS
F	CBS M3.5 X 16MM		2PCS
G	L BRACKET ZY 447		1PC

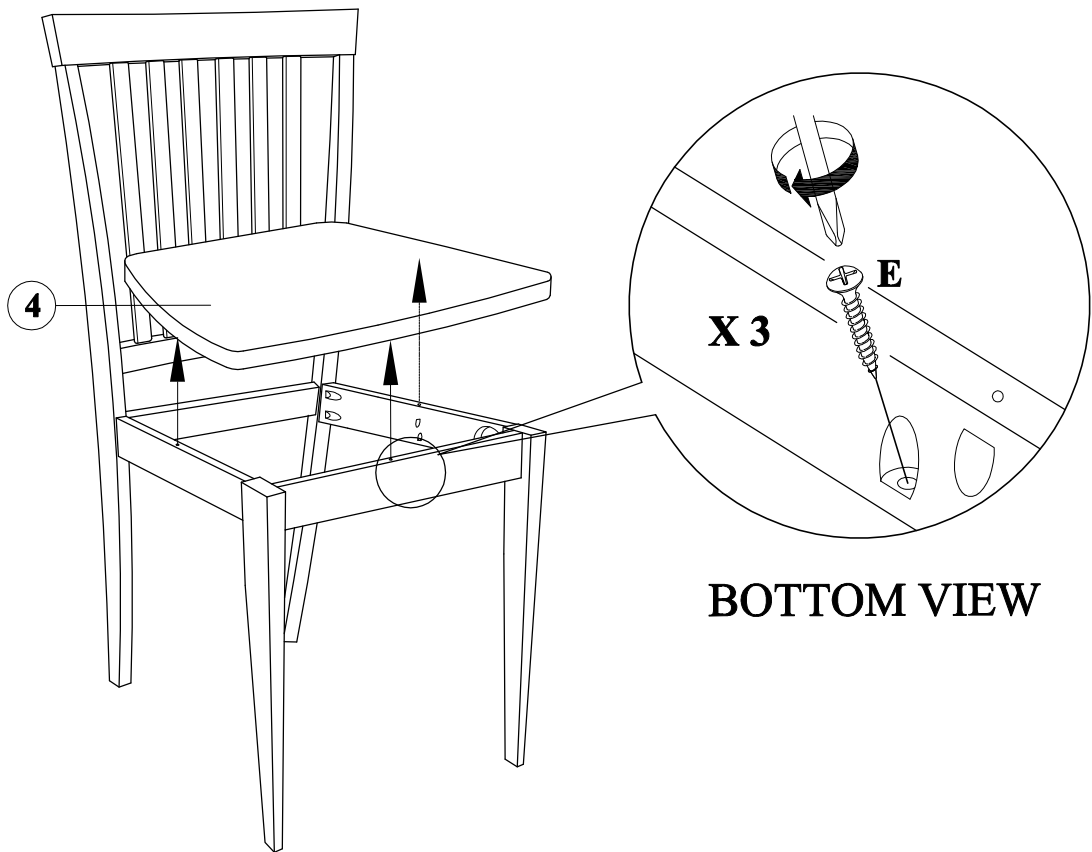
**STEP 1**



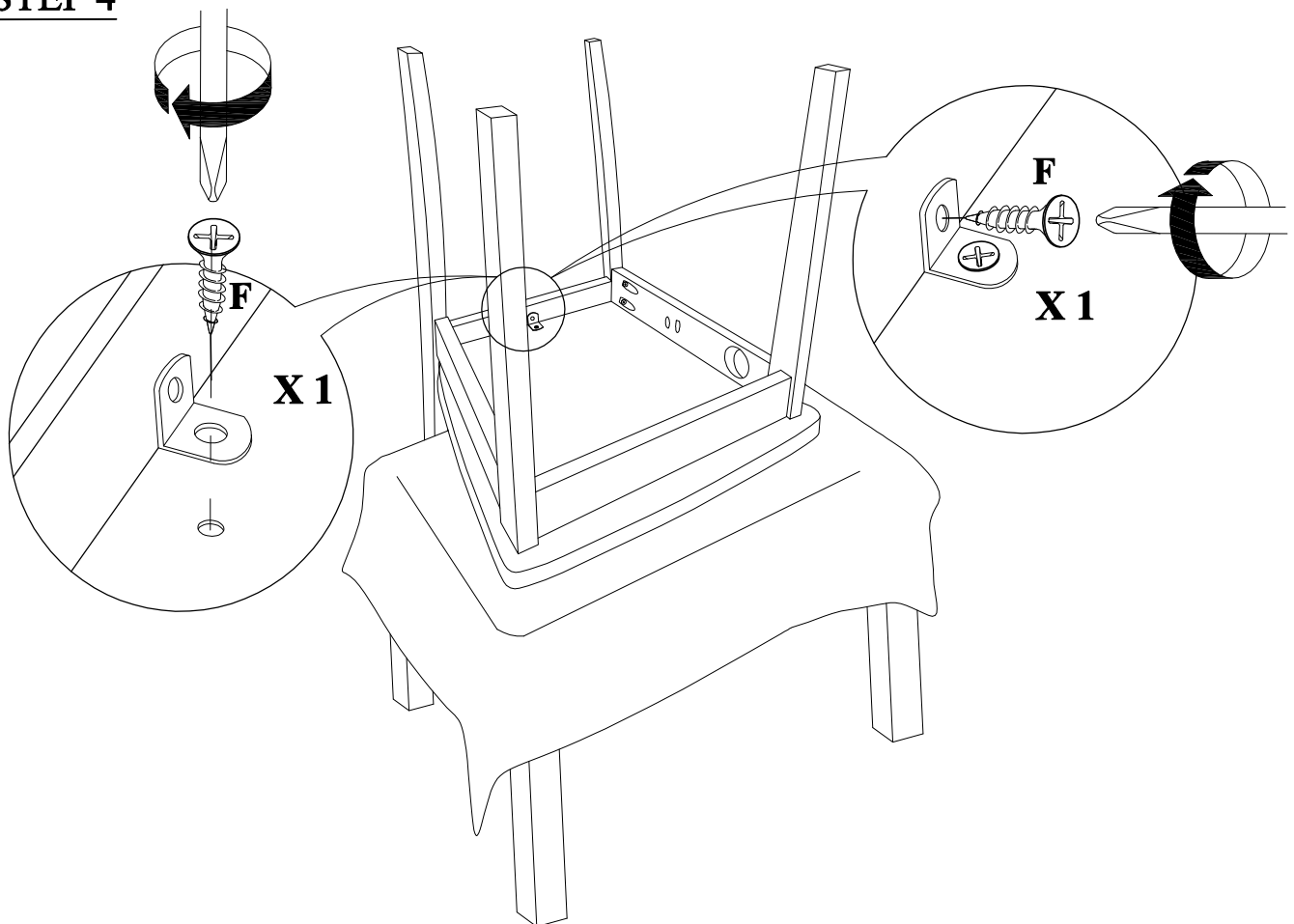
**STEP 2**



**STEP 3**



**STEP 4**



**STEP 5**

