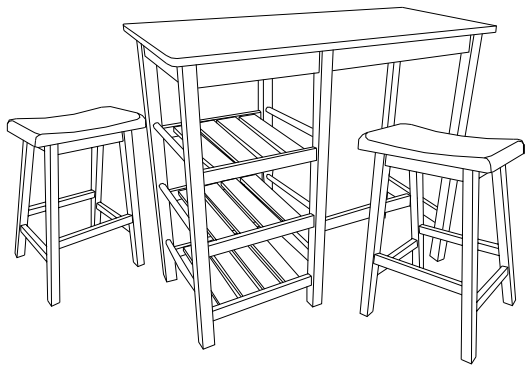


ASSEMBLY INSTRUCTION

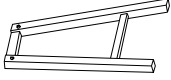




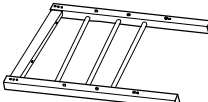
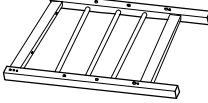
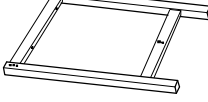



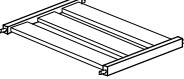
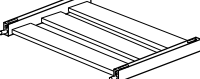
Item No: A211-53


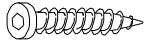

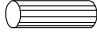
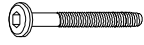



Description: Breakfast Club (Counter Table & Stools)



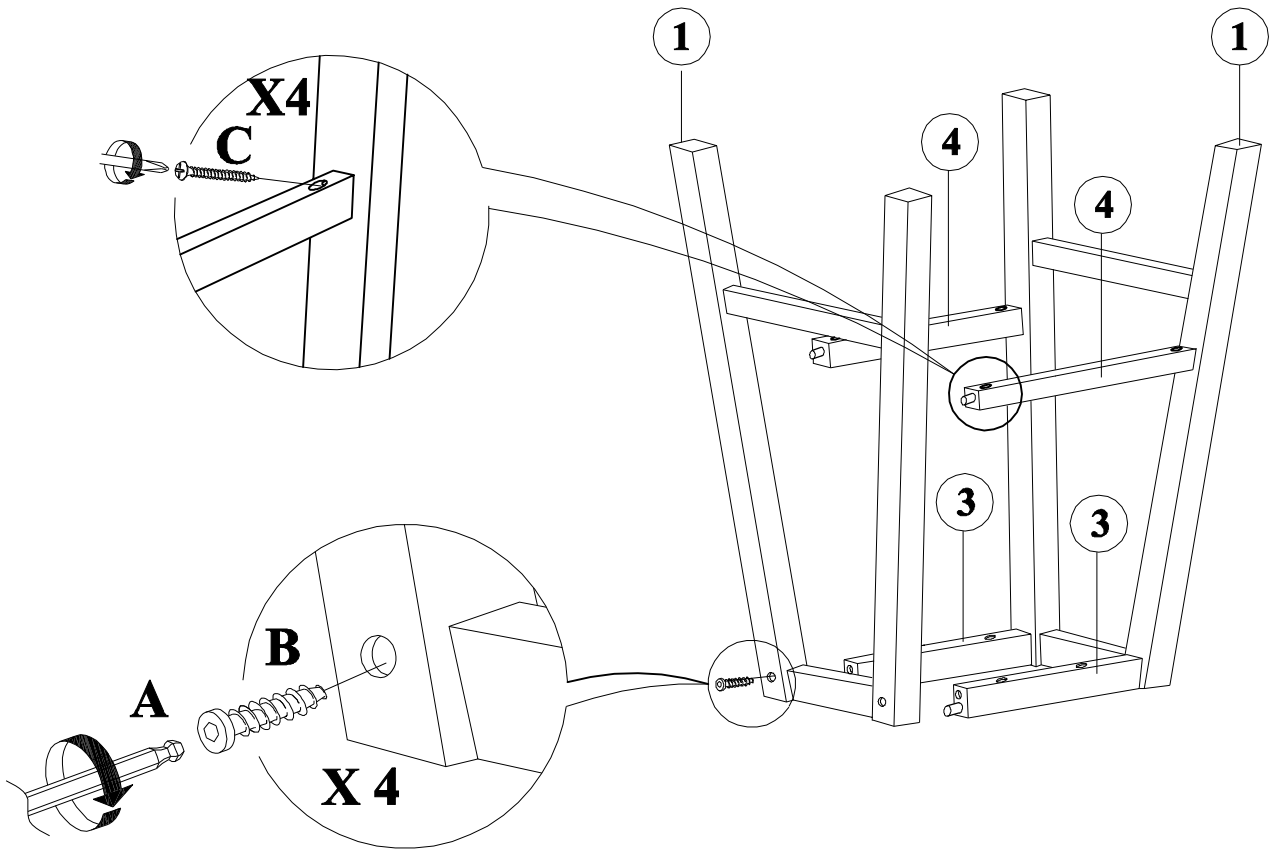
IMPORTANT NOTE:

- Place all wooden parts on a clean and smooth surface such as a rug or carpet to avoid the parts from being scratched.
- Check to be sure that you have all parts and hardware.
- Remove all wrapping materials, including staples & packing straps before you start to assemble.
- Do not tighten all screws/bolts until all completely assembled.
- Keep all hardware parts out of reach of children.

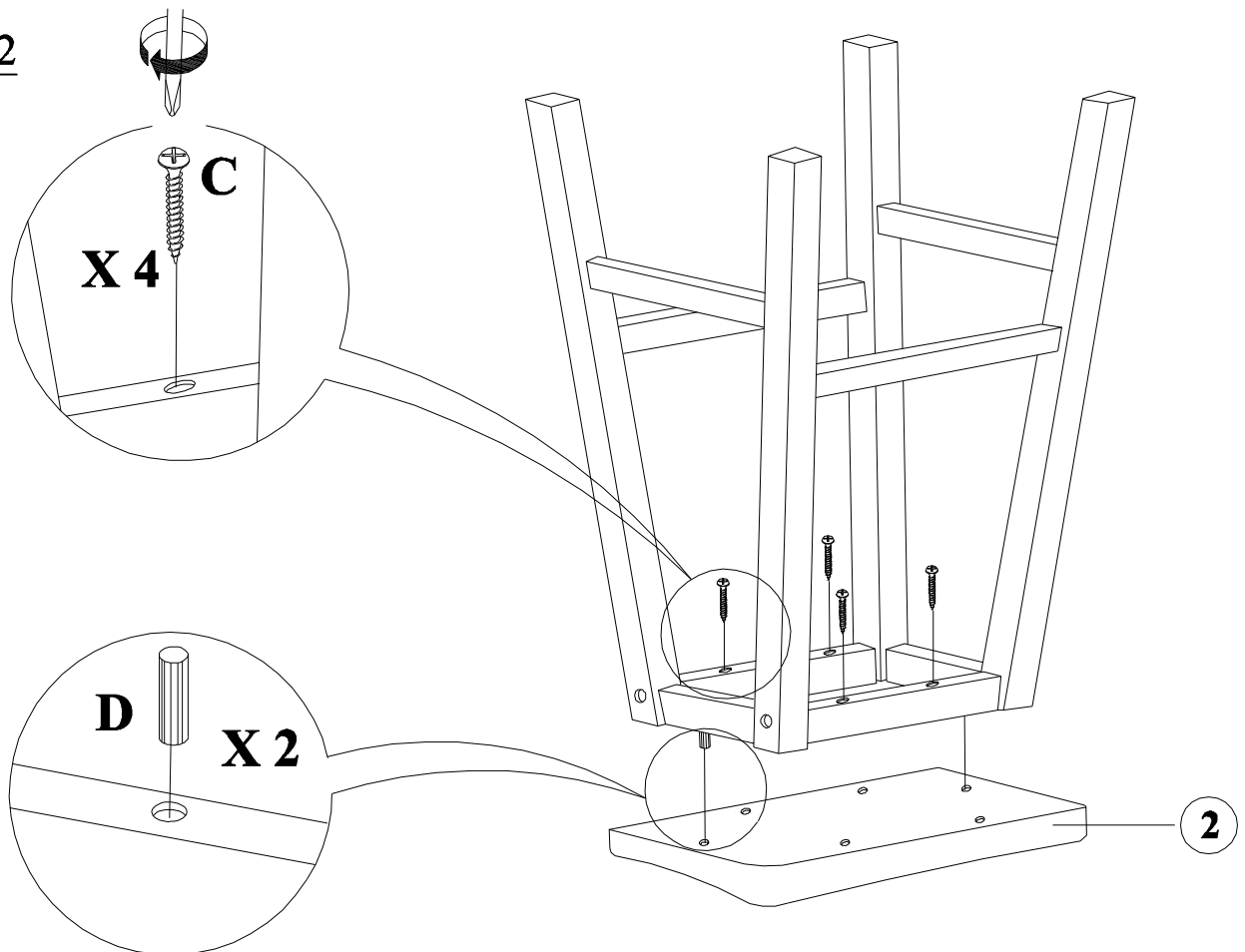
NO.	PARTS LIST	
	DESCRIPTION	QTY.
1	STOOL LEG FRAME 	4 PCS
2	SEAT 	2 PCS
3	STOOL TOP STRETCHER 	4 PCS
4	STOOL BOTTOM STRETCHER 	4 PCS
5	TABLE TOP 	1 PC
6	TABLE LEFT LEG FRAME 	1 PC
7	TABLE CENTER LEG FRAME 	1 PC
8	TABLE RIGHT LEG FRAME 	1 PC
9	TABLE STETCHER 	1 PC
10	TABLE LONG APRON 	2 PCS
11	TABLE SHORT APRON 	2 PCS
12	TABLE UPPER SHELF 	2 PCS
13	TABLE LOWER SHELF 	1 PC

HARDWARE LIST		
NO.	DESCRIPTION	QTY.
A	ALLEN KEY M4 X 110MM 	1 PC
B	JCBC/W SCREW M7 X 50MM 	8 PCS
C	PH CBS #8 1 1/2" 	16 PCS
D	DOWEL PINS M8 X 30MM 	4 PCS
E	JCBC BOLT M6 X 50MM 	28PCS
F	SPRING WASHER 1/4" 	28PCS
G	FLAT WASHER M6 X 13MM 	28PCS
H	WOOD BUTTON Ø14.5 X 9MM 	8PCS

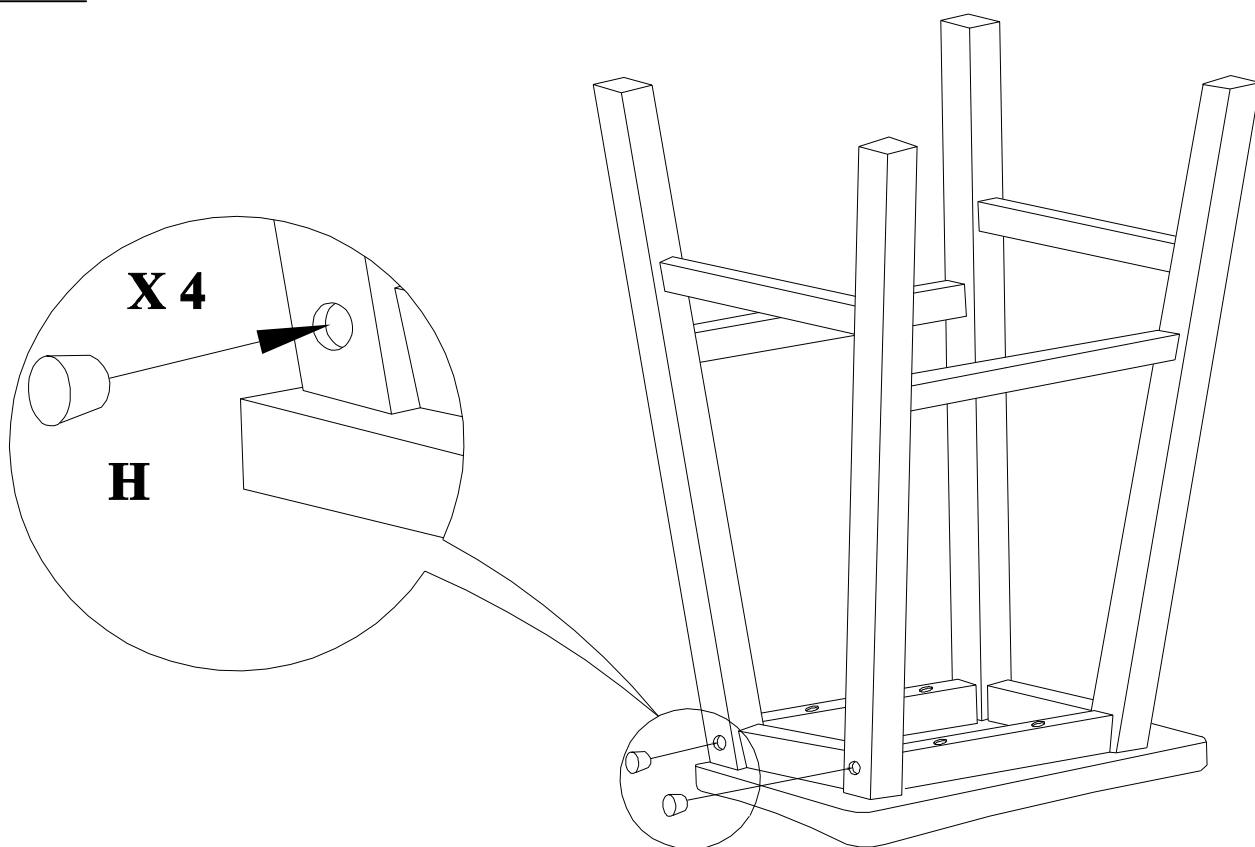
STEP 1



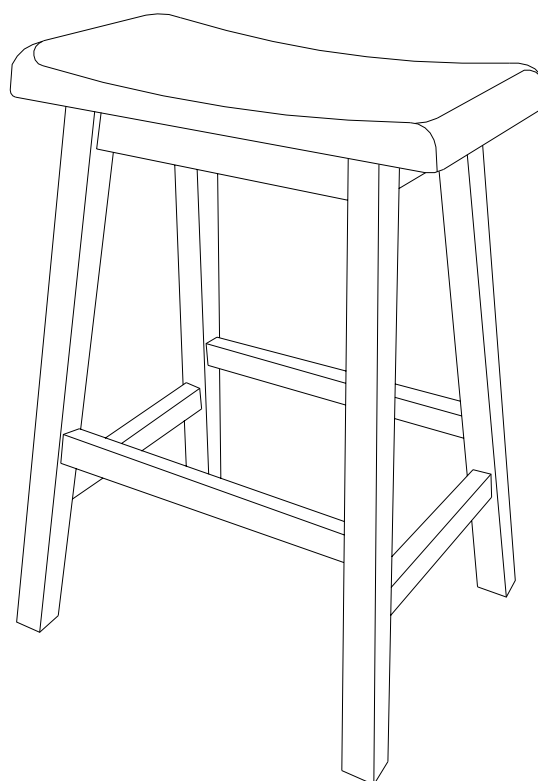
STEP 2



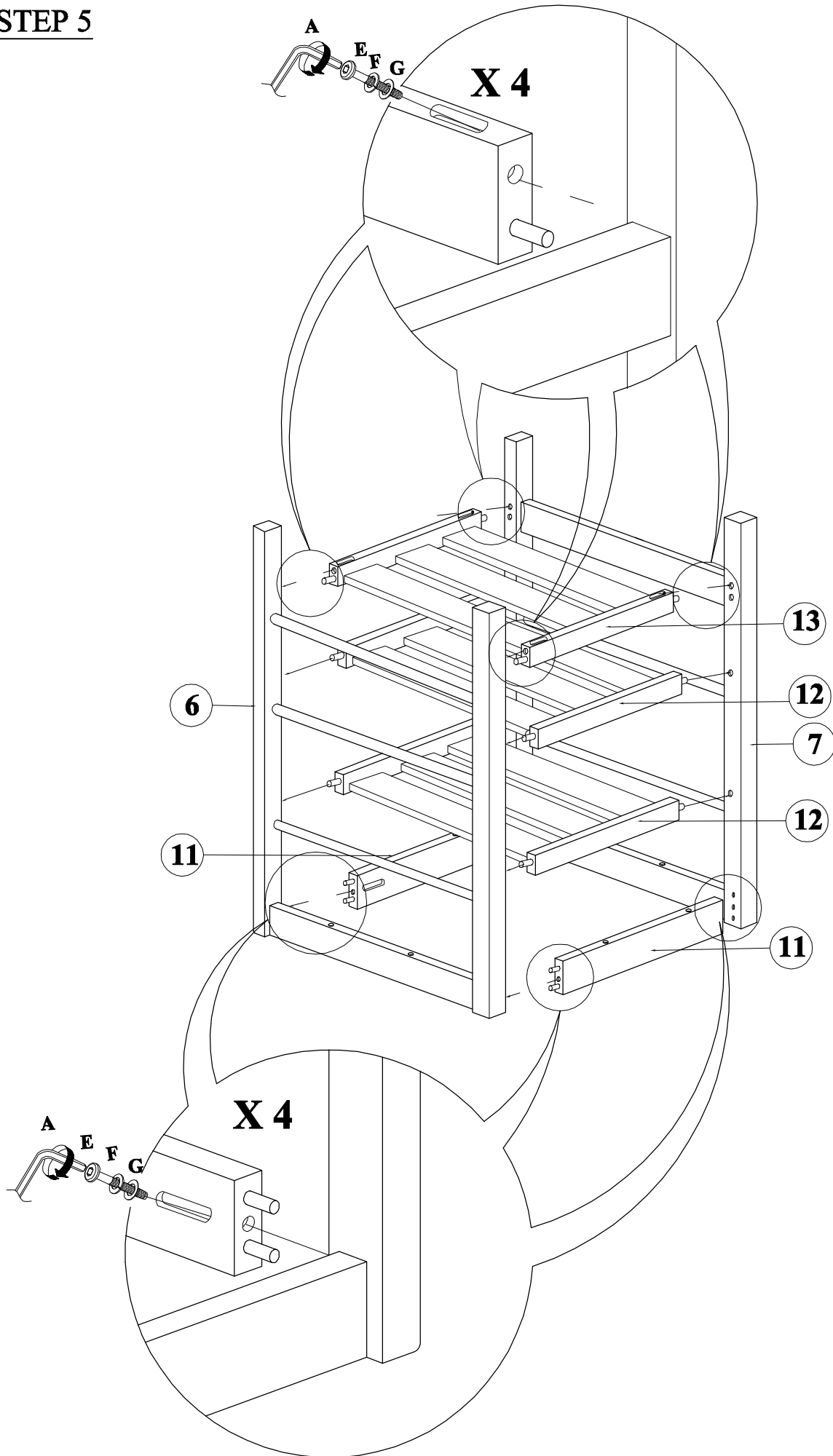
STEP 3



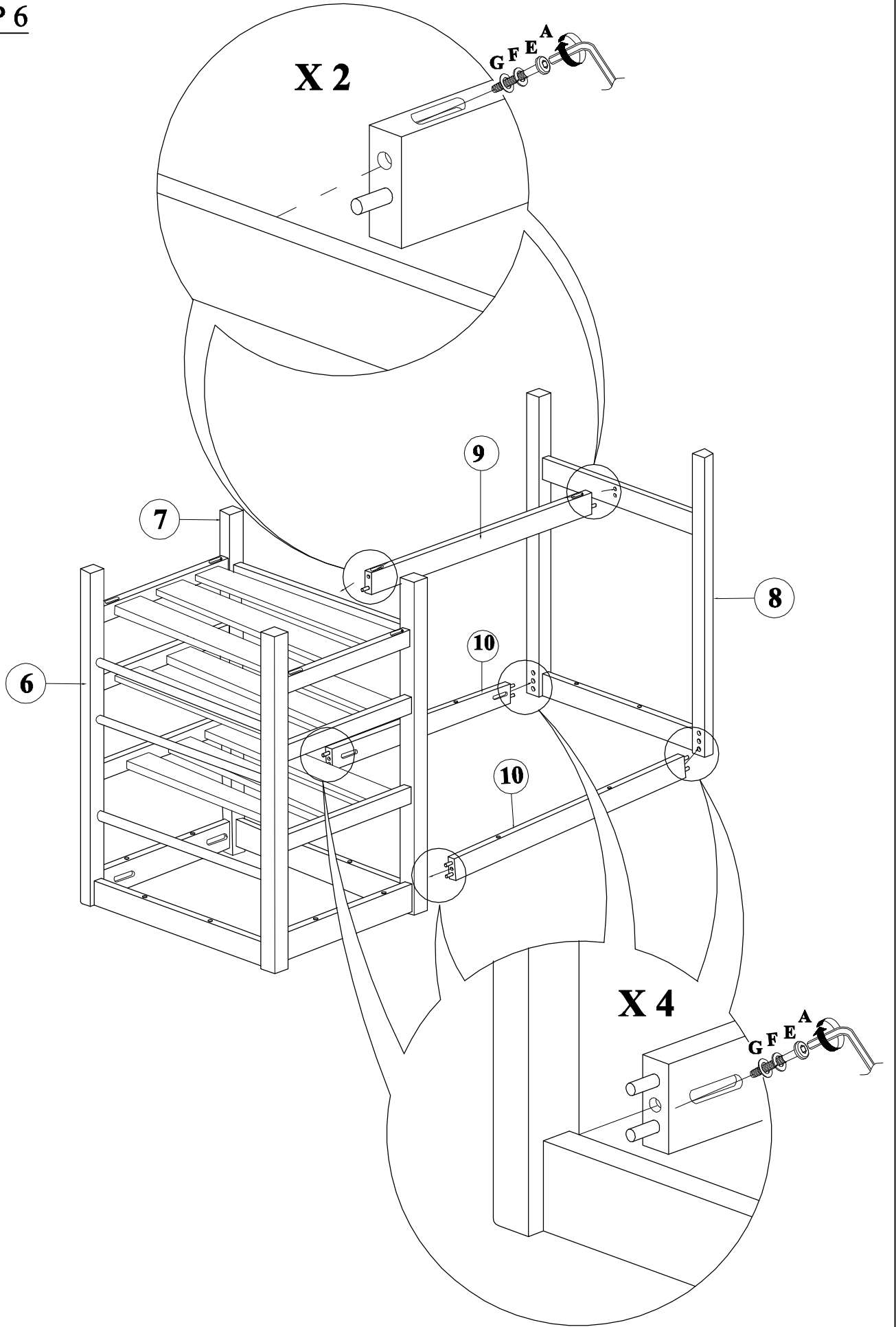
STEP 4



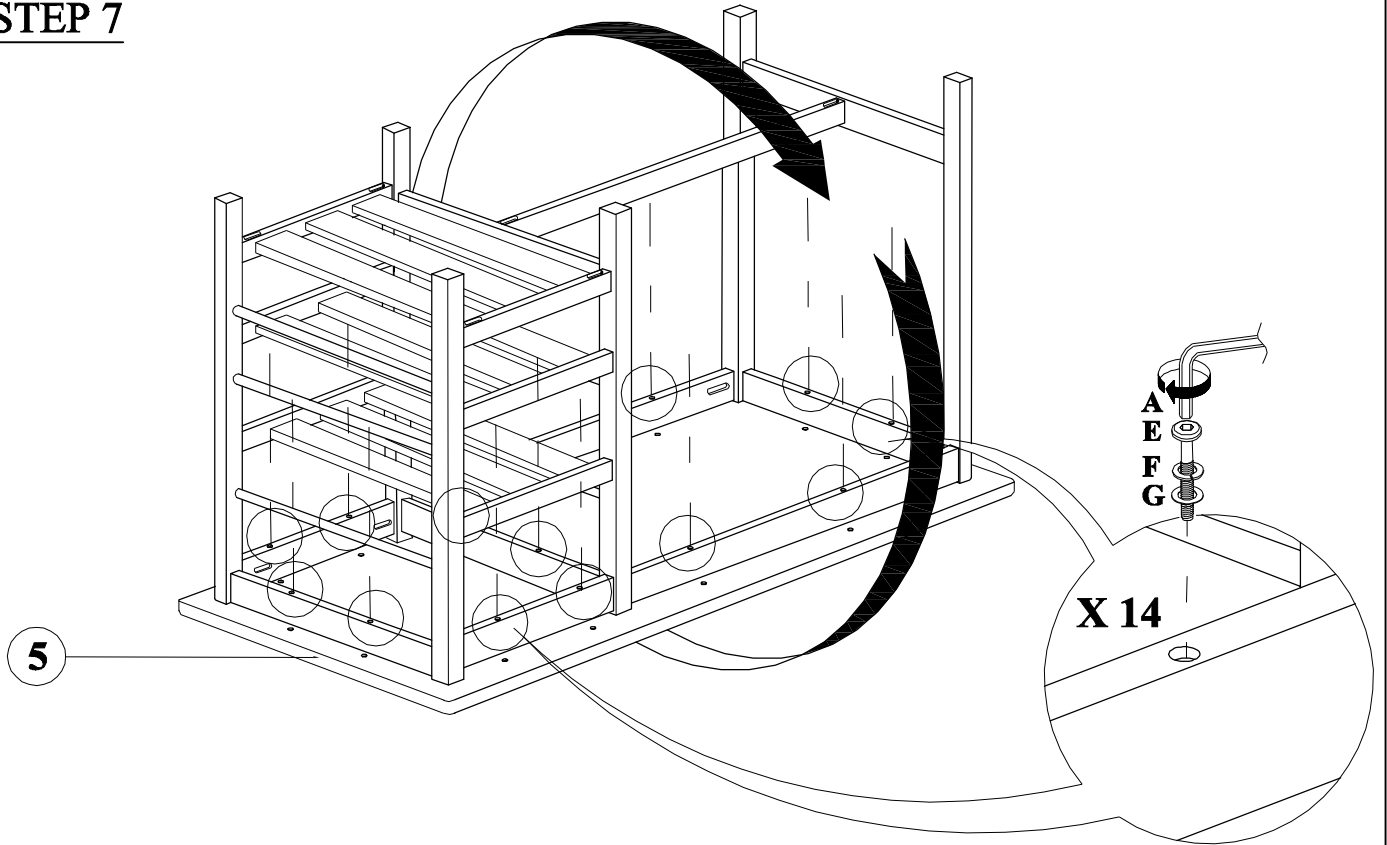
STEP 5



STEP 6



STEP 7



STEP 8

