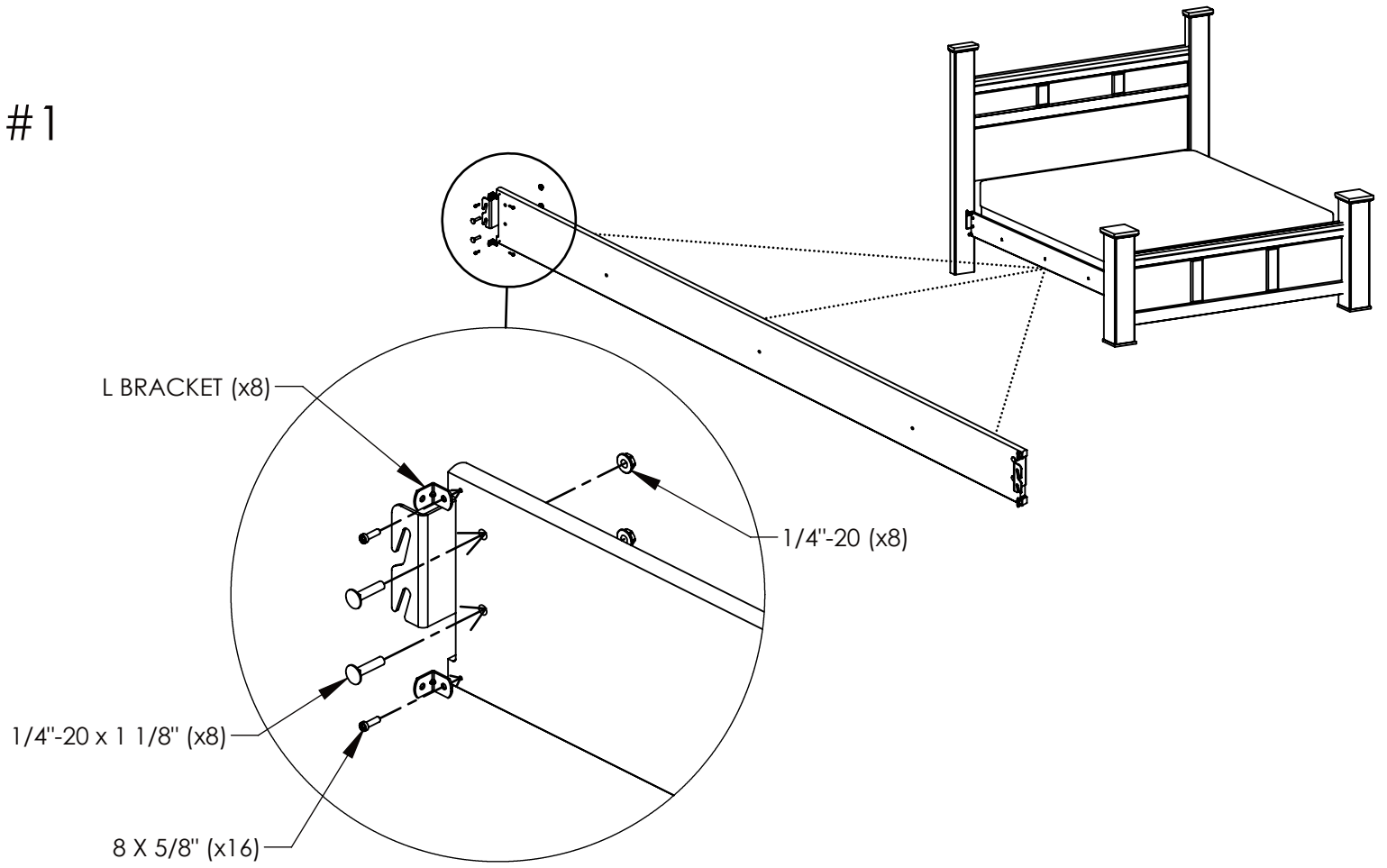
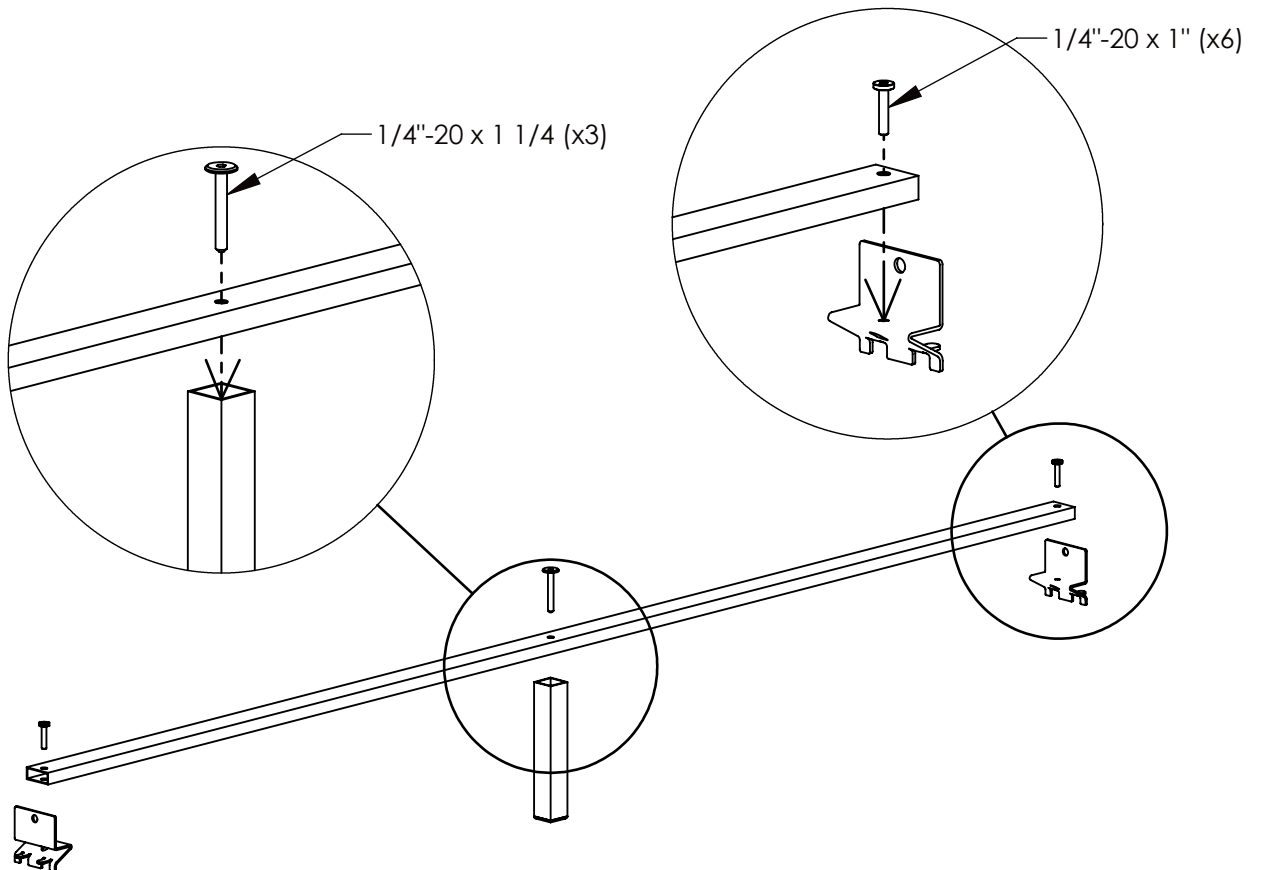


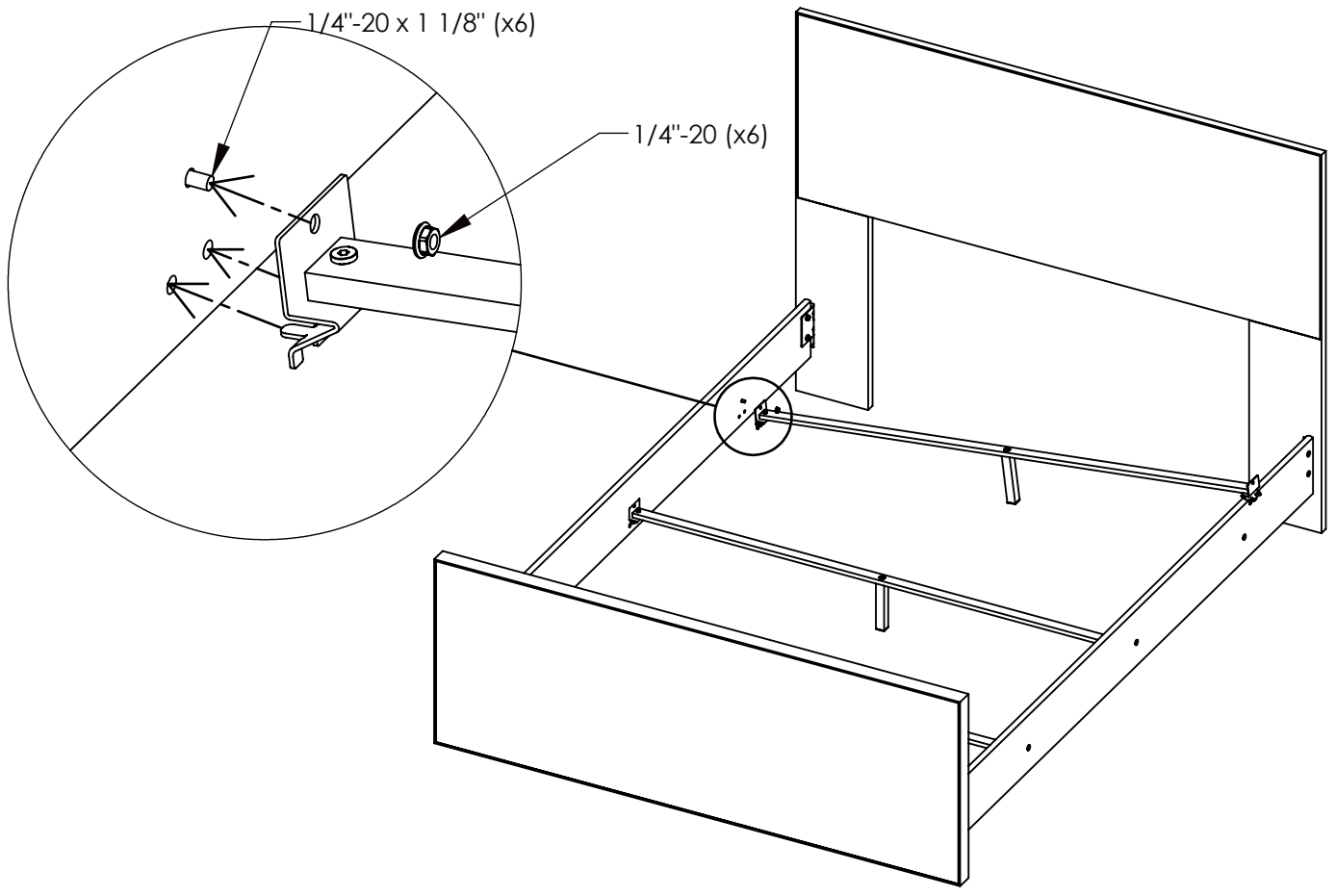
#1



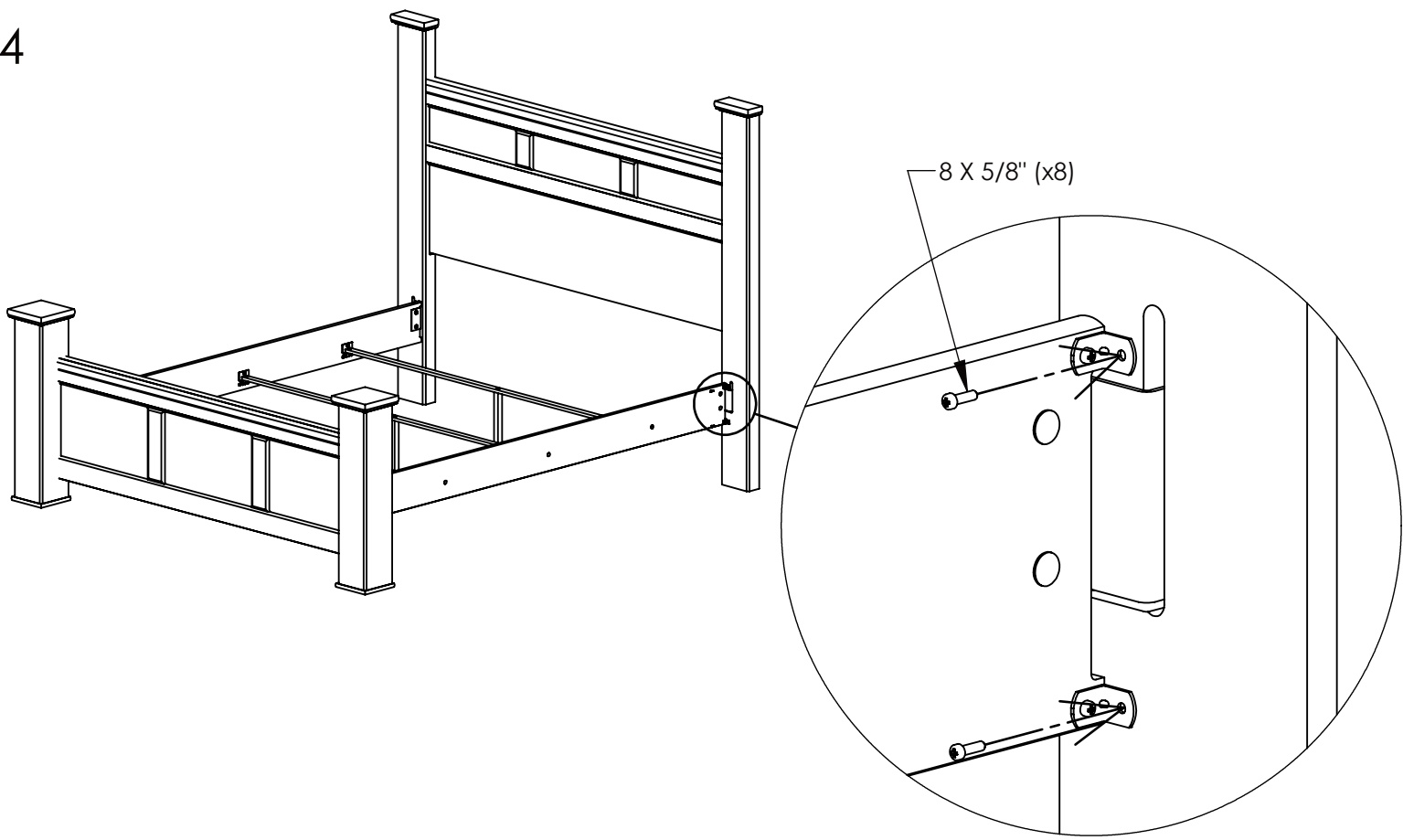
#2



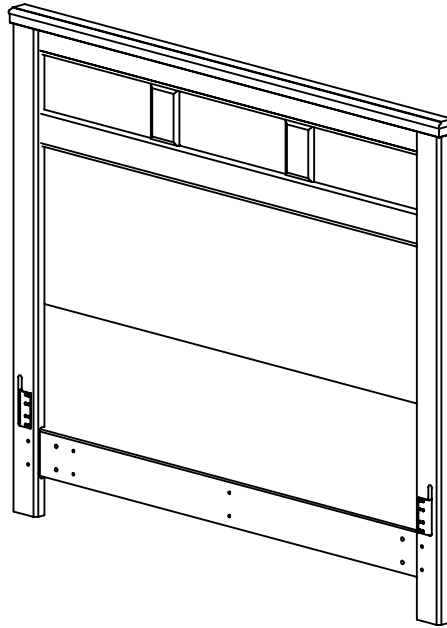
#3



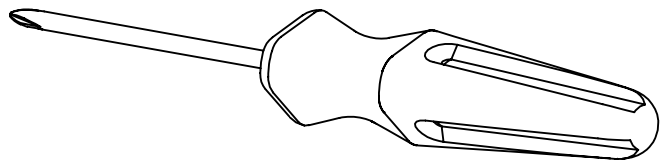
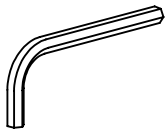
#4



142264 INSTRUCTION SHEET

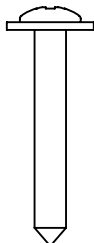


TOOLS:

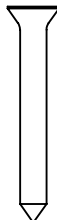


HARDWARE:

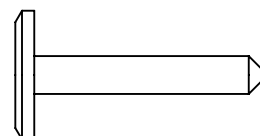
1 1/8" WH
(6X)



1 1/8" FH
(4X)



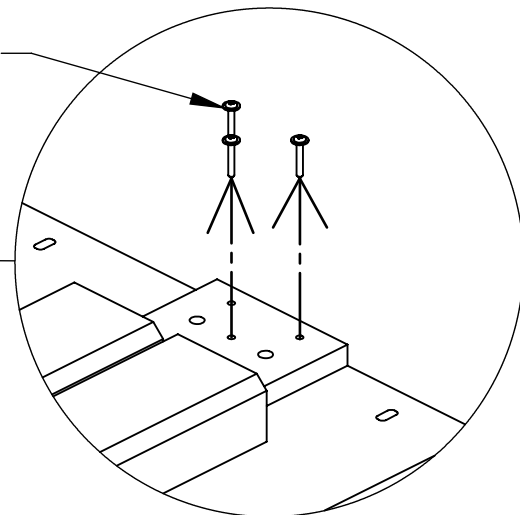
1/4-20 X 30mm
(6x)



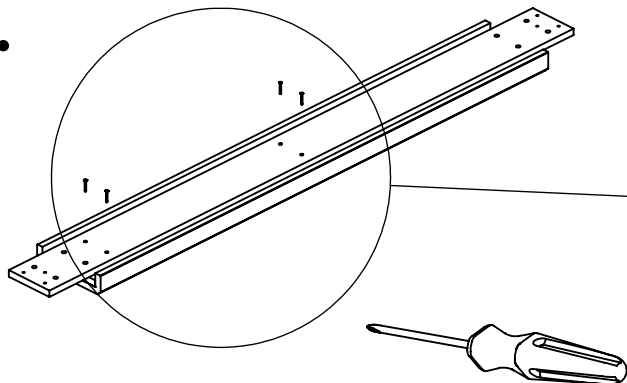
1.



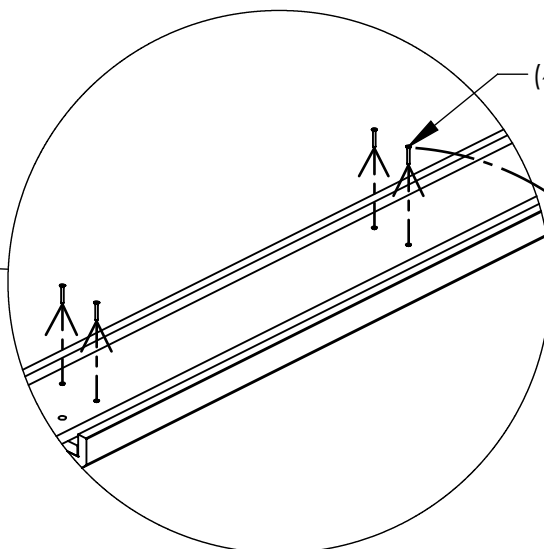
(6X) 1 1/8" WH
(USE IN STEP 3)



2.



(4X) 1 1/8" FH



3.

(6X) 1 1/8" WH
(FROM STEP 1)

1/4-20 X 30mm
(6X)

