



**ASSEMBLY INSTRUCTIONS  
COASTER FINE FURNITURE**



*Fine Furniture for every stage of life*

REVISION 0 :12/09/2019  
REVISION 1: 03/31/2022

**PAGE 1 OF 4**

**881184**  
**OFFICE CHAIR**

[COASTERFURNITURE.COM](http://COASTERFURNITURE.COM)

ITEM: **881184**



## ASSEMBLY INSTRUCTIONS

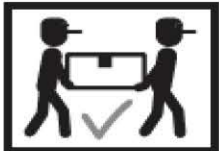
### ASSEMBLY TIPS:

1. Remove hardware from box and sort by size.
2. Please check to see that all hardware and parts are present prior to start of assembly.
3. Please follow attached instructions in the same sequence as numbered to assure fast & easy assembly.



### WARNING!

1. Don't attempt to repair or modify parts that are broken or defective. Please contact the store immediately.
2. This product is for home use only and not intended for commercial establishments.



ASSEMBLY TIME

10 MINUTES

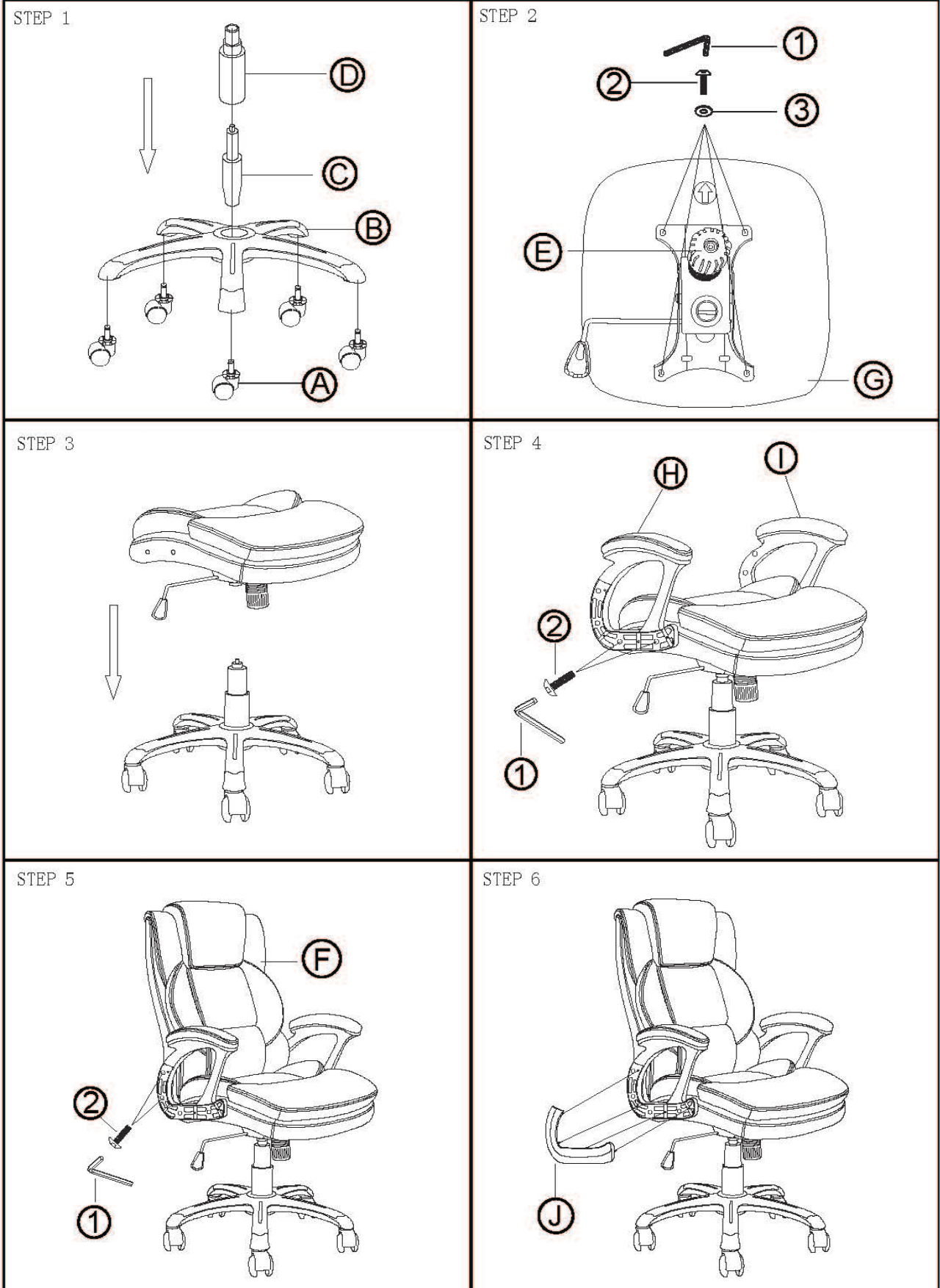
## PARTS IDENTIFICATION

## Z HARDWARE IDENTIFICATION

A	CASTER		5PCS
B	BASE		1PC
C	GAS CYLINDER		1PC
D	GAS CYLINDER COVER		1PC
E	ADJUSTING PLATE		1PC
F	BACK		1PC
G	SEAT		1PC
H	LEFT ARM		1PC
I	RIGHT ARM		1PC
J	LEFT COVER CAP		1PC
K	RIGHT COVER CAP		1PC

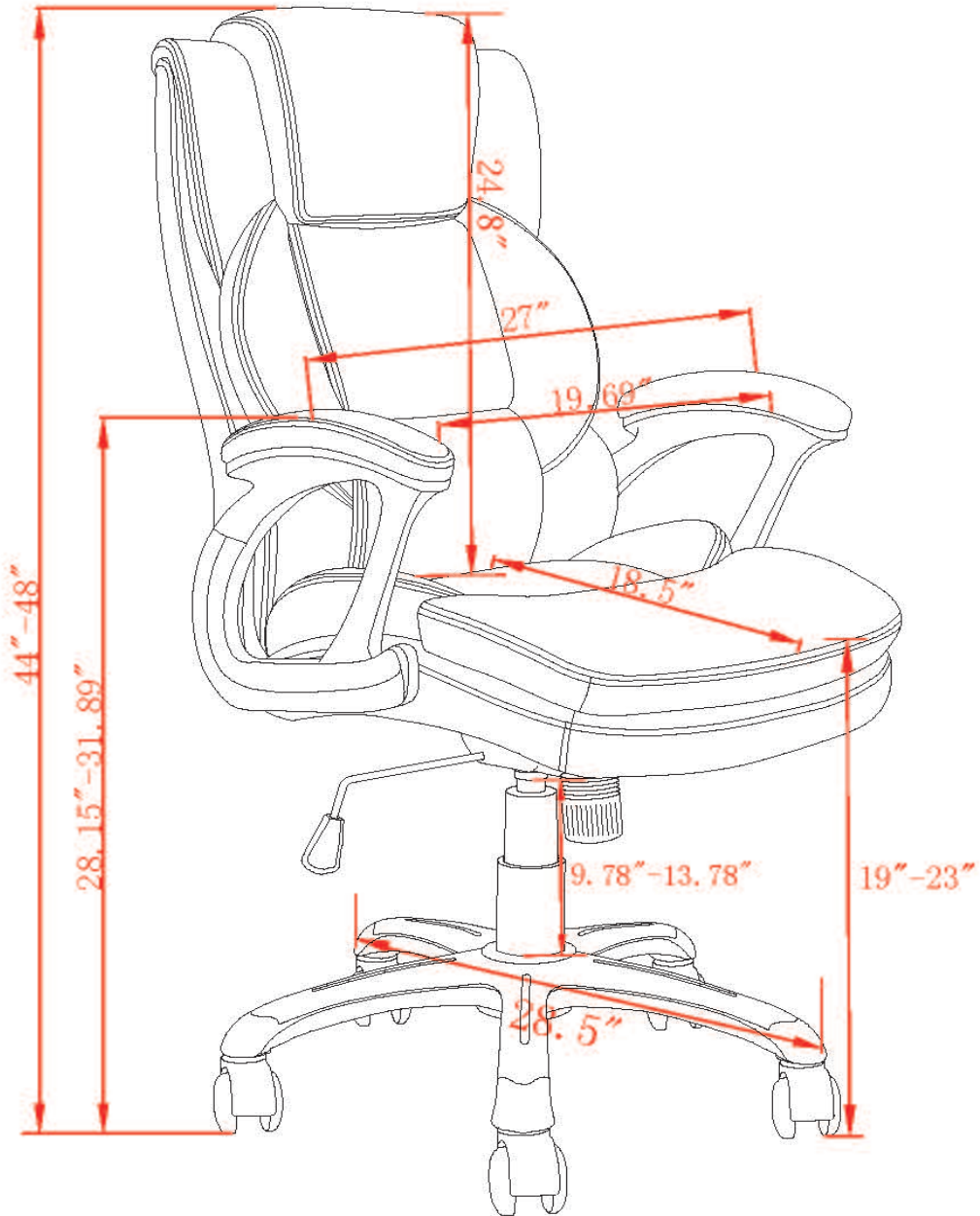
1	ALLEN WRENCH (M6)		1PC
2	BOLT (M6 x 25mm)		12PCS
3	WASHER (φ 6 x φ 18mm)		4PCS

**ASSEMBLY INSTRUCTIONS**



ITEM: 881184

**ASSEMBLY INSTRUCTIONS**



Note : Dimension tolerance  $\pm 5\%$