



**ASSEMBLY INSTRUCTIONS
COASTER FINE FURNITURE**



Fine Furniture for every stage of life

REVISION 0 :12/09/2019
REVISION 1 : 03/31/2022

PAGE 1 OF 4

881183
OFFICE CHAIR

COASTERFURNITURE.COM

ITEM: **881183**



ASSEMBLY INSTRUCTIONS

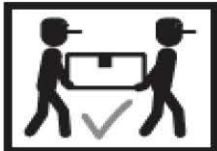
ASSEMBLY TIPS:

1. Remove hardware from box and sort by size.
2. Please check to see that all hardware and parts are present prior to start of assembly.
3. Please follow attached instructions in the same sequence as numbered to assure fast & easy assembly.



WARNING!

1. Don't attempt to repair or modify parts that are broken or defective. Please contact the store immediately.
2. This product is for home use only and not intended for commercial establishments.



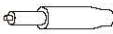
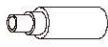
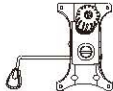
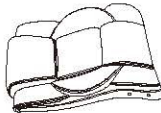







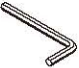


ASSEMBLY TIME

10 MINUTES

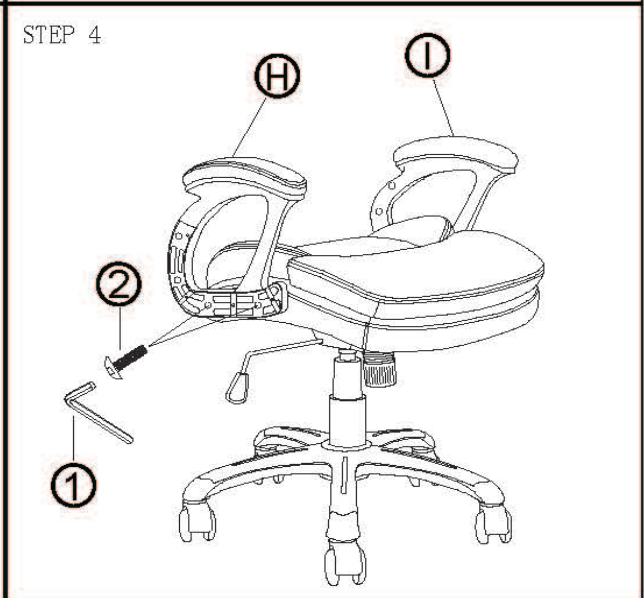
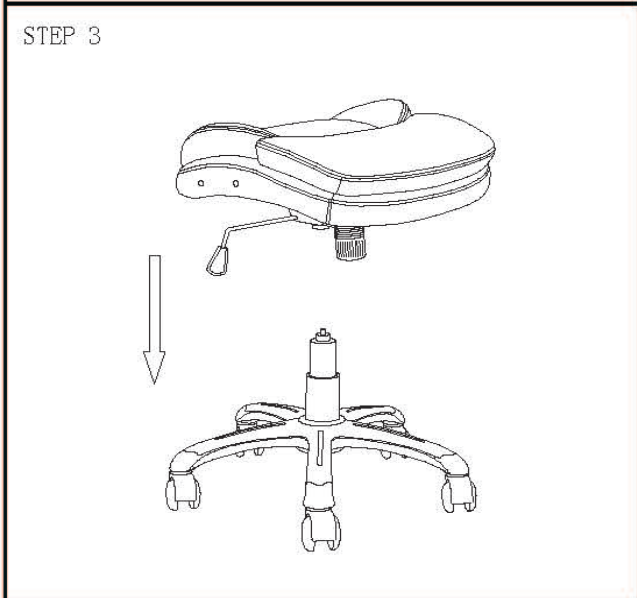
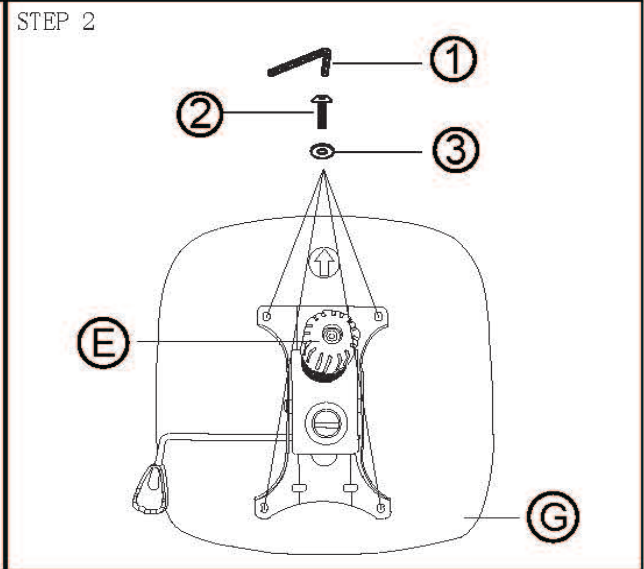
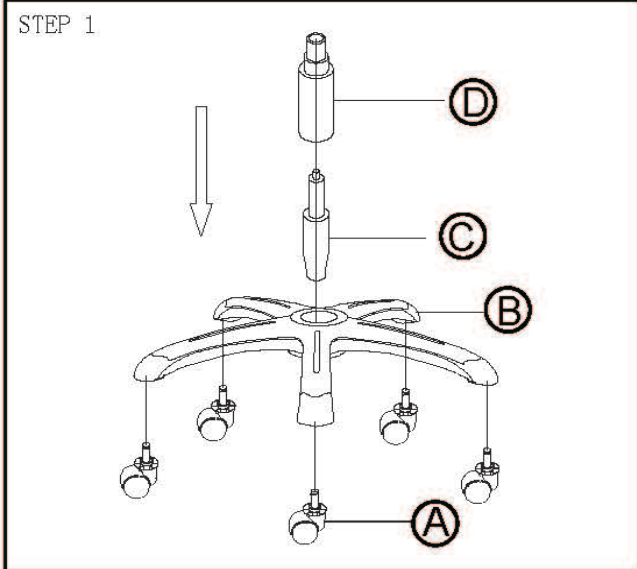
PARTS IDENTIFICATION

Z HARDWARE IDENTIFICATION

A	CASTER		5PCS
B	BASE		1PC
C	GAS CYLINDER		1PC
D	GAS CYLINDER COVER		1PC
E	ADJUSTING PLATE		1PC
F	BACK		1PC
G	SEAT		1PC
H	LEFT ARM		1PC
I	RIGHT ARM		1PC
J	LEFT COVER CAP		1PC
K	RIGHT COVER CAP		1PC

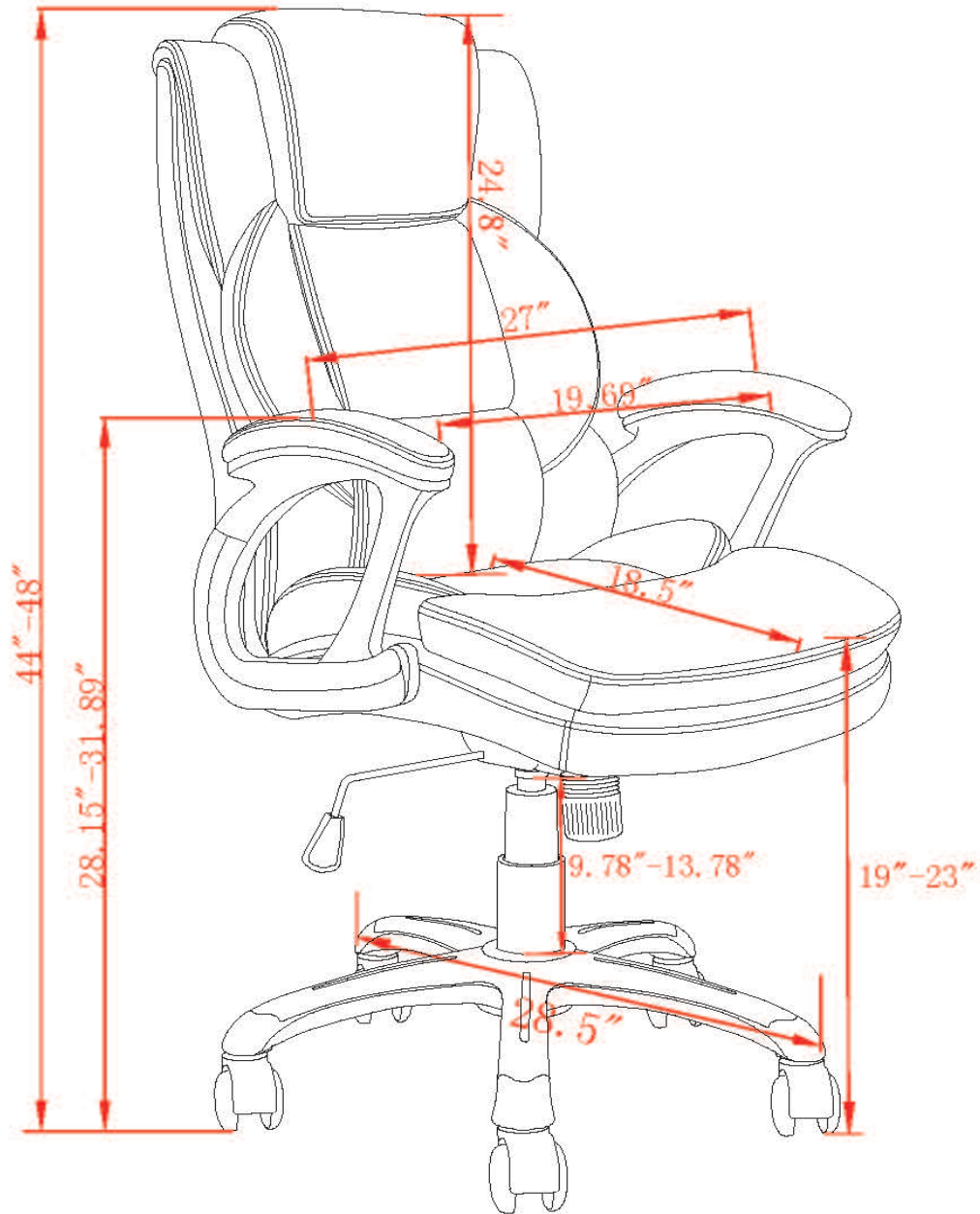
1	ALLEN WRENCH (M6)		1PC
2	BOLT (M6 x 25mm)		12PCS
3	WASHER (φ 6 x φ 18mm)		4PCS

ASSEMBLY INSTRUCTIONS



ITEM:881183

ASSEMBLY INSTRUCTIONS



Note : Dimension tolerance $\pm 5\%$