

ASSEMBLY INSTRUCTIONS
COASTER FINE FURNITURE



Fine Furniture for every stage of life

800150
OFFICE CHAIR

REVISION 0:12/05/2018
REVISION 1:06/05/2019
REVISION 2:11/26/2019
REVISION 3:01/06/2020
REVISION 4:05/10/2021

ITEM :800150



ASSEMBLY INSTRUCTIONS

ASSEMBLY TIPS:

- 1.Remove hardware from box and sort by size.
- 2.Please check to see that all hardware and parts are present prior to start of assembly.
- 3.Please follow attached instructions in the same sequence as numbered to assure fast & easy assembly.



WARNING !

- 1.Don't attempt to repair or modify parts that are broken or defective. Please contact the store immediately.
- 2.This product is for home uses only and not intended for commercial establishments.



ASSEMBLY TIME 20 MINUTES

PARTS IDENTIFICATION

A		BACK	1PC
B		SEAT	1PC
C		RIGHT ARMREST	1PC
D		LEFT ARMREST	1PC
E		MECHANISM	1PC
F		GAS LIFT COVER	1PC
G		GAS LIFT	1PC
H		BASE	1PC
I		CASTER	5PCS

HARDWARE IDENTIFICATION

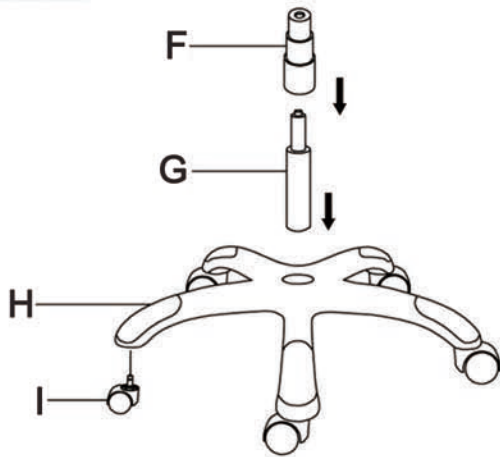
1	LONG BOLT	 M6*30	8PCS
2	SHORT BOLT	 M6*20	4PCS
3	ALLEN WRENCH	 M6	1PC
4	MEDIUM BOLT CAP		8PCS
5	WASHER	 M6*18*1.2	4PCS

ITEM:800150

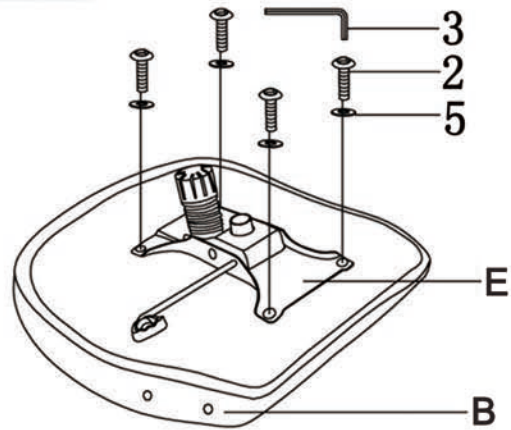


ASSEMBLY INSTRUCTIONS

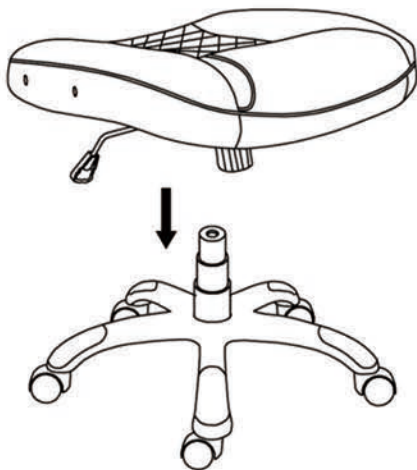
STEP1



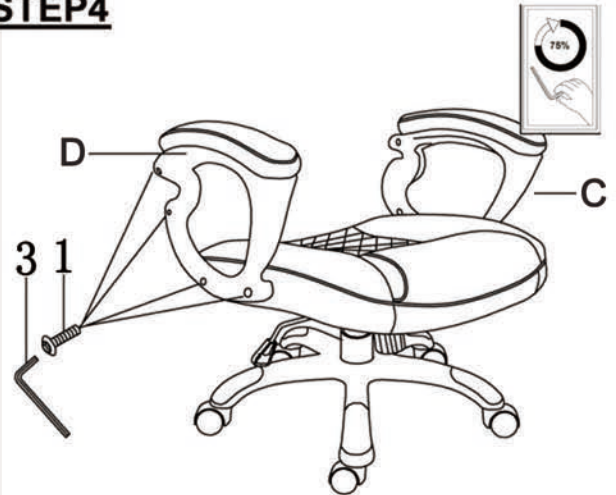
STEP2



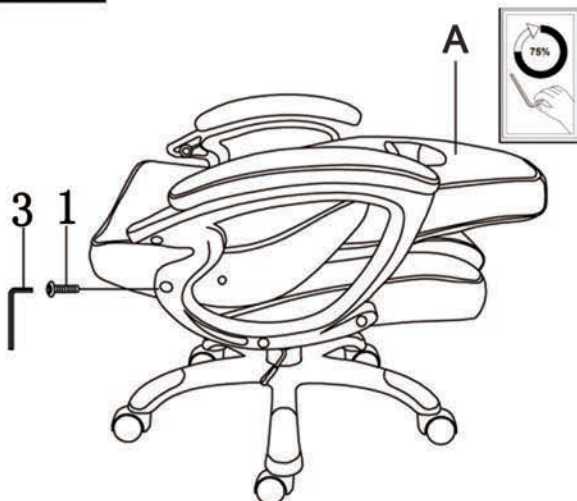
STEP3



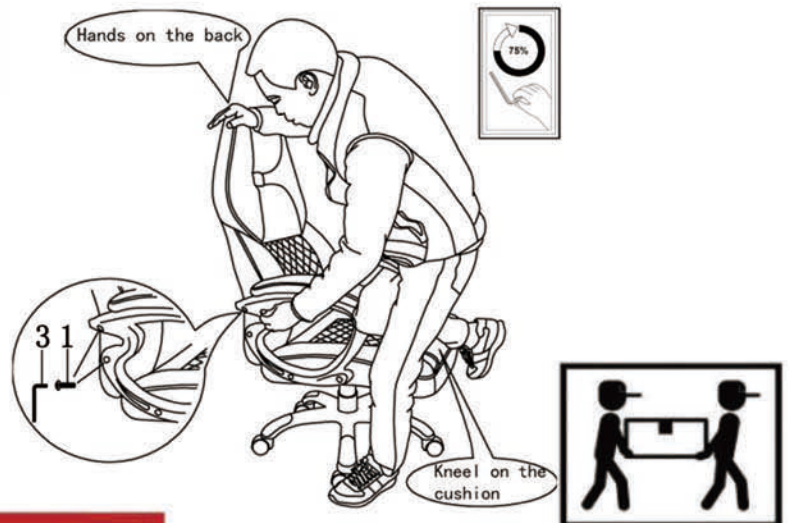
STEP4



STEP5



STEP6



ITEM:800150



ASSEMBLY INSTRUCTIONS

STEP 7



STEP 8



STEP 9



ITEM: 800150



Note : Dimension tolerance $\pm 5\%$