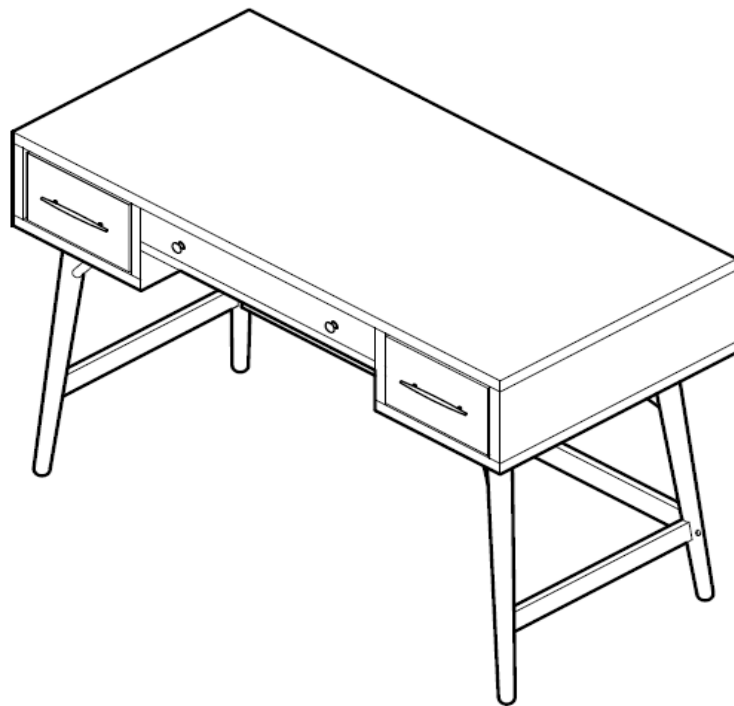


ASSEMBLY INSTRUCTIONS
COASTER FINE FURNITURE



Fine Furniture for every stage of life

800745
Writing Desk

REVISION 0 : 01/13/2015
REVISION 1 : 08/28/2018
REVISION 2 : 10/25/2018
REVISION 3 : 11/18/2019

ITEM: **800745**

ASSEMBLY INSTRUCTIONS

ASSEMBLY TIPS:

1. Remove hardware from box and sort by size.
2. Please check to see that all hardware and parts are present prior to start of assembly.
3. Please follow attached instructions in the same sequence as numbered to assure fast & easy assembly.



WARNING!

1. Don't attempt to repair or modify parts that are broken or defective. Please contact the store immediately.
2. This product is for home use only and not intended for commercial establishments.



ASSEMBLY TIME

20 MINUTES

PARTS IDENTIFICATION

A	TOP		1PC
B	LEFT LEG FRAME		1PC
C	RIGHT LEG FRAME		1PC
D	CROSSBAR		1PC
X	KNOB WITH SCREW		2SETS
Y	HANDLE WITH SCREW		2SETS

NOTE:

Phillips head screw driver is required in the assembly process; however, manufacturer does not provide this item.

ITEM: **800745**

ASSEMBLY INSTRUCTIONS

ASSEMBLY TIPS:

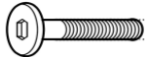
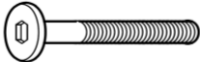




1. Remove hardware from box and sort by size.
2. Please check to see that all hardware and parts are present prior to start of assembly.
3. Please follow attached instructions in the same sequence as numbered to assure fast & easy assembly.



WARNING!

1. Don't attempt to repair or modify parts that are broken or defective. Please contact the store immediately.
2. This product is for home use only and not intended for commercial establishments.

HARDWARE IDENTIFICATION

1	SHORT BOLT (M6 x 30mm - RBW)		8PCS
2	LONG BOLT (M6 x 70mm - RBW)		2PCS
3	FLAT WASHER (M6 x 13mm - RBW)		8PCS
4	BARREL NUT (M6 x 13mm - RBW)		2PCS
5	ALLEN WRENCH (4mm - BLK)		1PC
6	WOOD DOWEL (M8 x 30mm)		2PCS

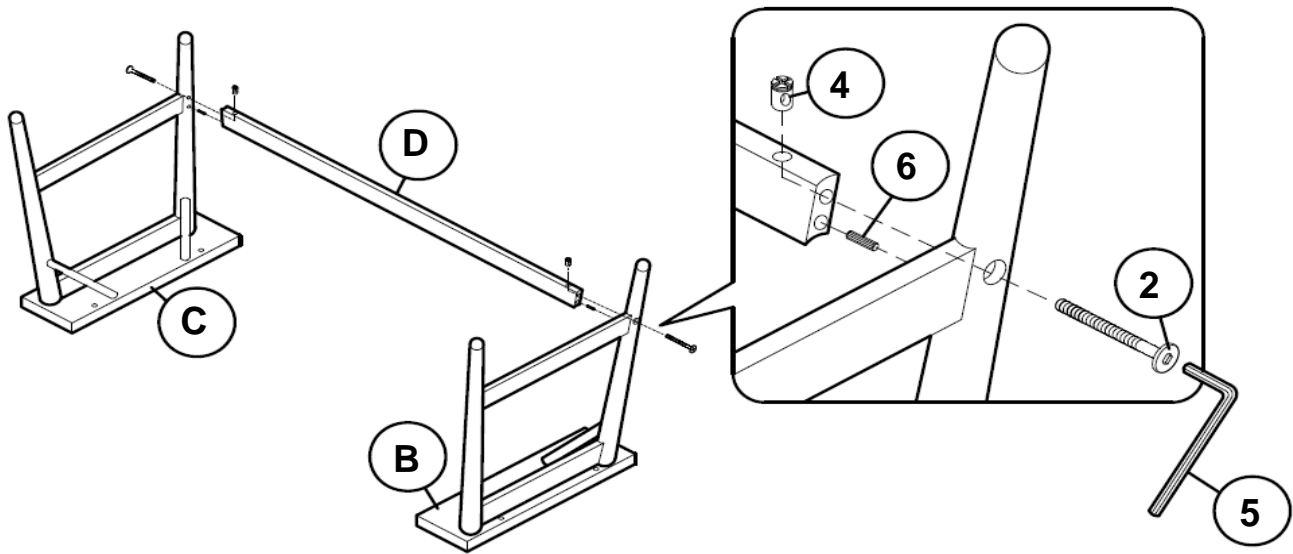
NOTE:

Phillips head screw driver is required in the assembly process; however, manufacturer does not provide this item.

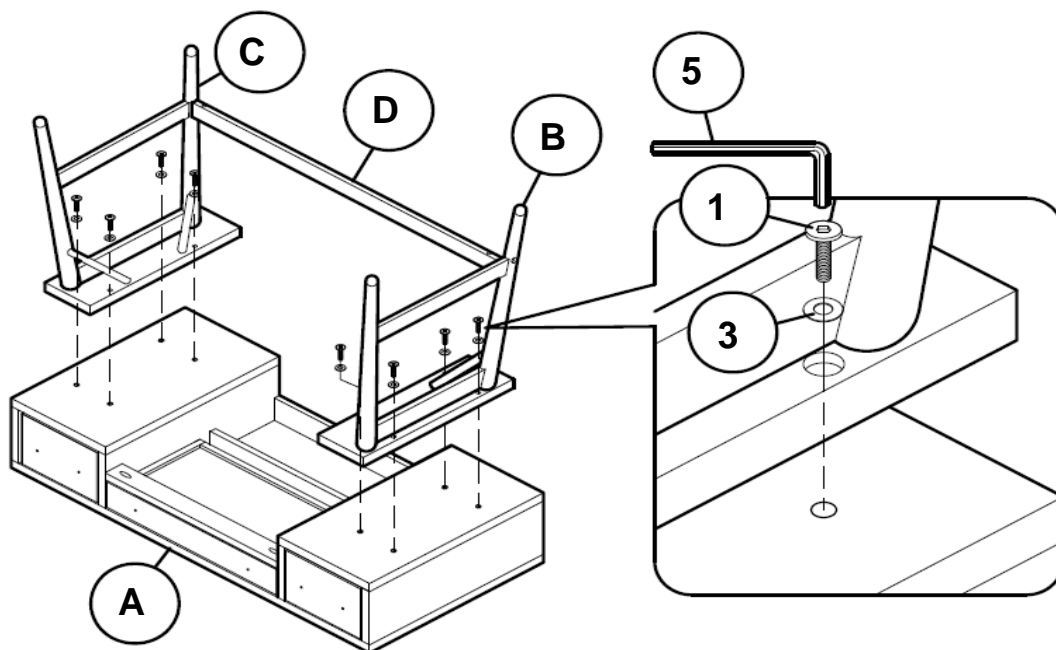
ITEM: **800745**



ASSEMBLY INSTRUCTIONS
STEP 1

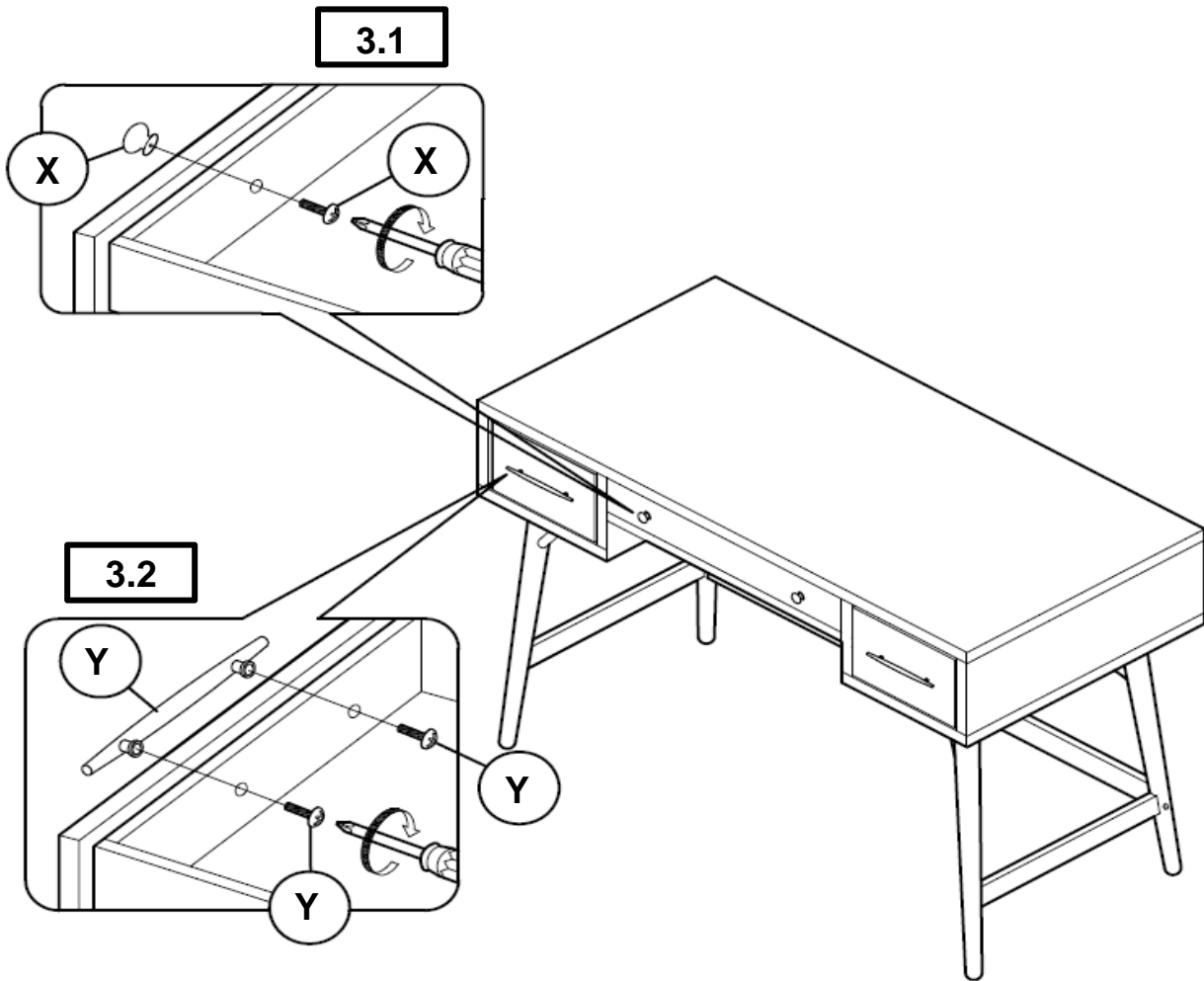


STEP 2

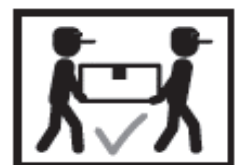
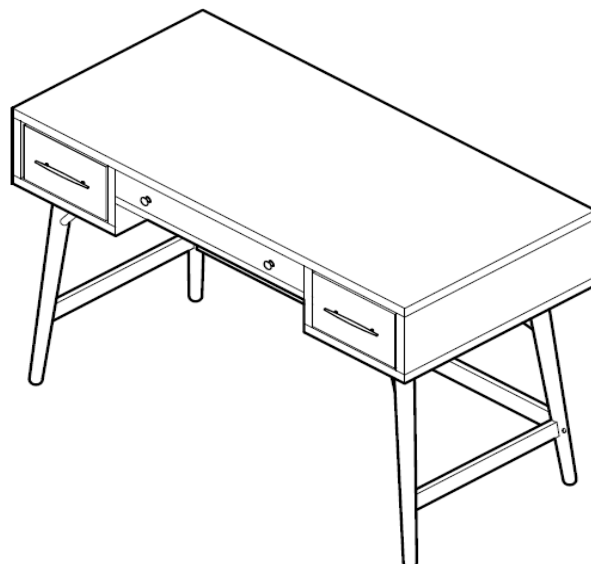


ITEM: **800745**

ASSEMBLY INSTRUCTIONS
STEP 3



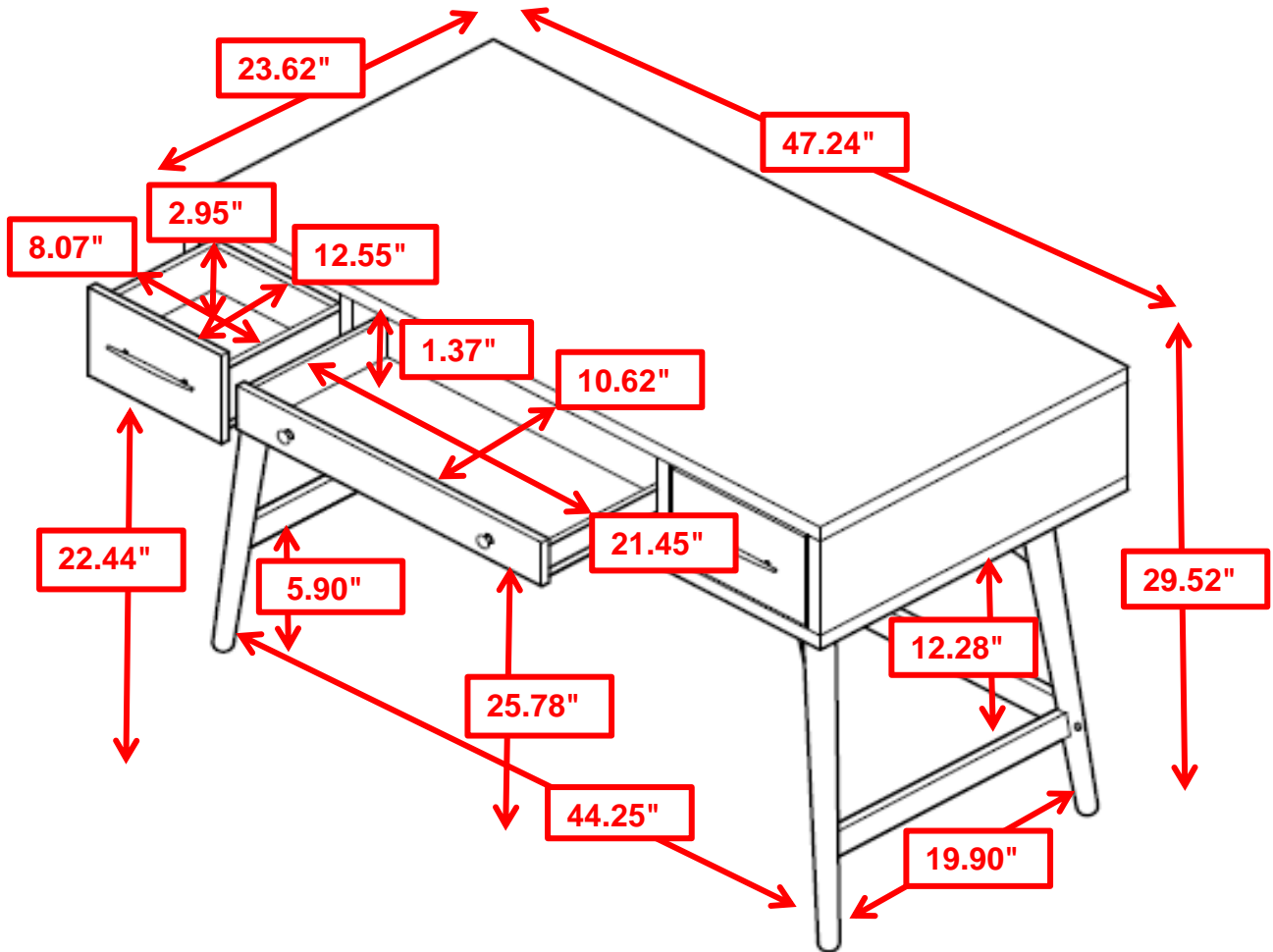
STEP 4
COMPLETE



ITEM: 800745



INNER SIZE OF DRAWER A : 1.37" X 10.62" X 21.45"
INNER SIZE OF DRAWER B : 2.95" X 8.07" X 12.55"



Note : Dimension tolerance $\pm 5\%$