






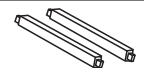


### Important safety instructions:

- Please **read** carefully all instructions before assembling.
- For your safety and ease, assembly by two or more adults is recommended.
- Keep instructions for future use.










### Pre-assembly:

- **Do not discard any content until assembly completed to avoid accidentally discarding small parts or hardware.**
- **Remove all parts and hardware from box along with any protective packaging.**

### Parts List

Item	Description	QTY
P1	 CHAIR SEAT	1PC
P2	 SWIVEL	1PC
P3	 CROSSING SEAT	1PC
P4	 FOOTREST WITH KICK PLATE	1PC
P5	 FOOTREST	1PC
P6	 FOOTREST	2PCS
P7	 LEGS	2PCS
P8	 LEGS	2PCS

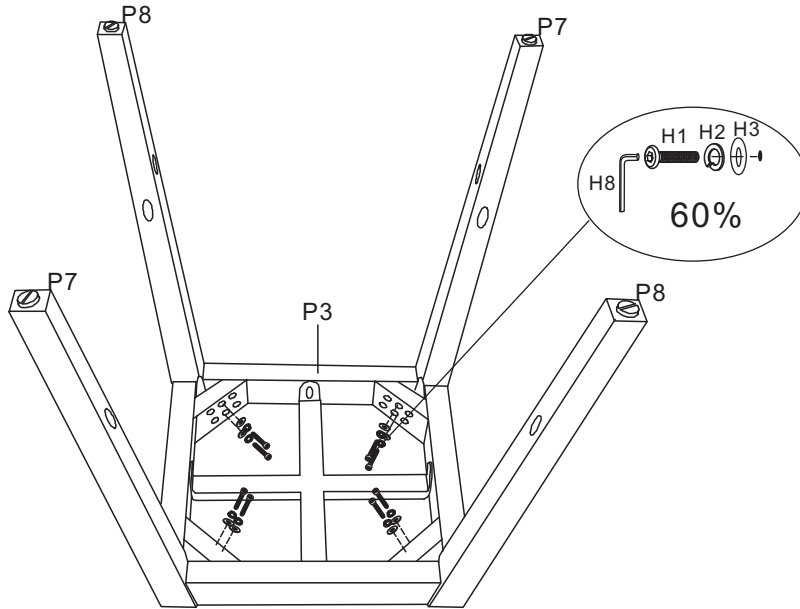
### Hardware List

Item	Description	QTY
H1	BOLTS DIA:5/16"x2-3/8" 	8PCS
H2	LOCK WASHER 	8PCS
H3	FLAT WASHER:5/16"x3/4" 	8PCS
H4	BOLTS DIA:1/4"x9/16" 	4PCS
H5	BOLTS DIA:1/4"x1" 	4PCS
H6	FLAT WASHER:1/4"x5/8" 	8PCS
H7	SCREW 	8PCS
H8	ALLEN WRENCH 1/4" 	1PC
H9	SCREWDRIVER  Not Provided	

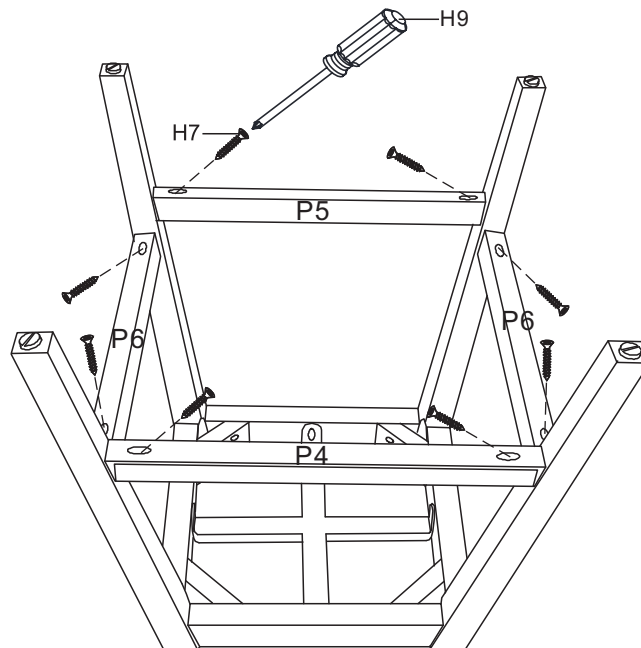
**DISCLAIMER:**

**WHEN PROPERLY ASSEMBLED, THIS ITEM IS SAFE FOR INTENDED USE. SELLER IS NOT LIABLE FOR ANY DAMAGES RESULTING FROM ITEM BEING IMPROPERLY ASSEMBLED AFTER PURCHASE.**

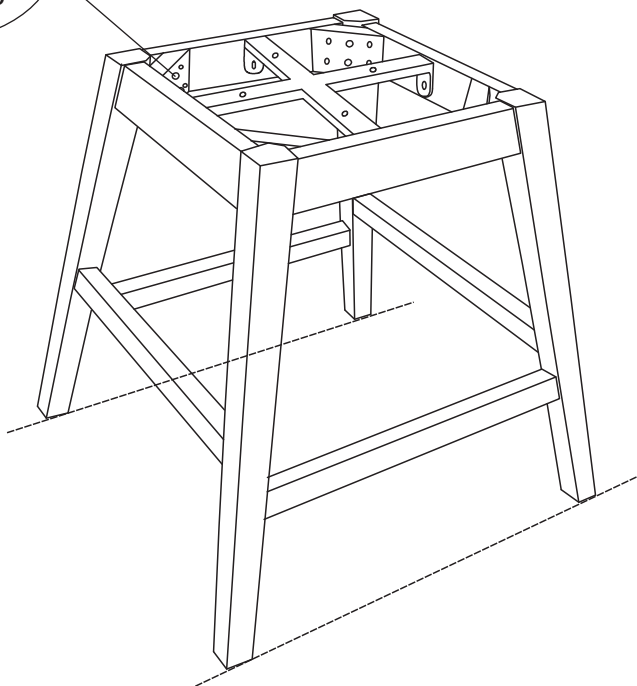
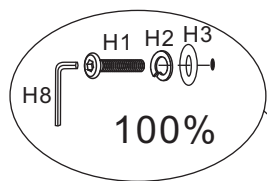
Step 1. Assemble the chair on a flat, soft surface such as a carpet or cloth prevent scratching. Insert legs(P7&P8) to the crossing seat frame(P3), lock the legs to the seat frame using allen wrench(H8)to loosely tighten bolts (H1),lock washers(H2),flat washers(H3) as illustration below.



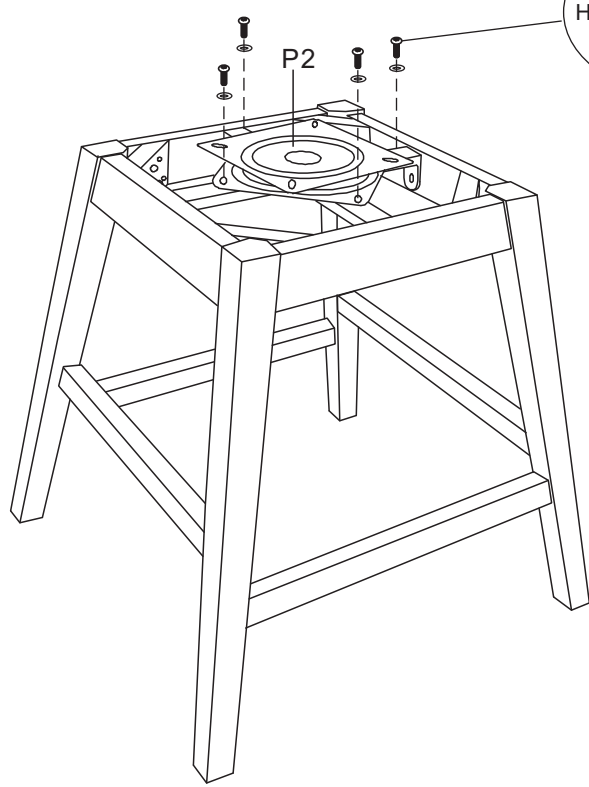
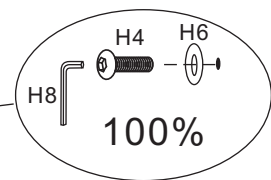
Step 2. Insert footrest(P4,P5&P6) to the legs(P7&P8),lock the footrest to the legs with screws(H7) and tighten all screws securely with screw driver(H9) as illustration below.



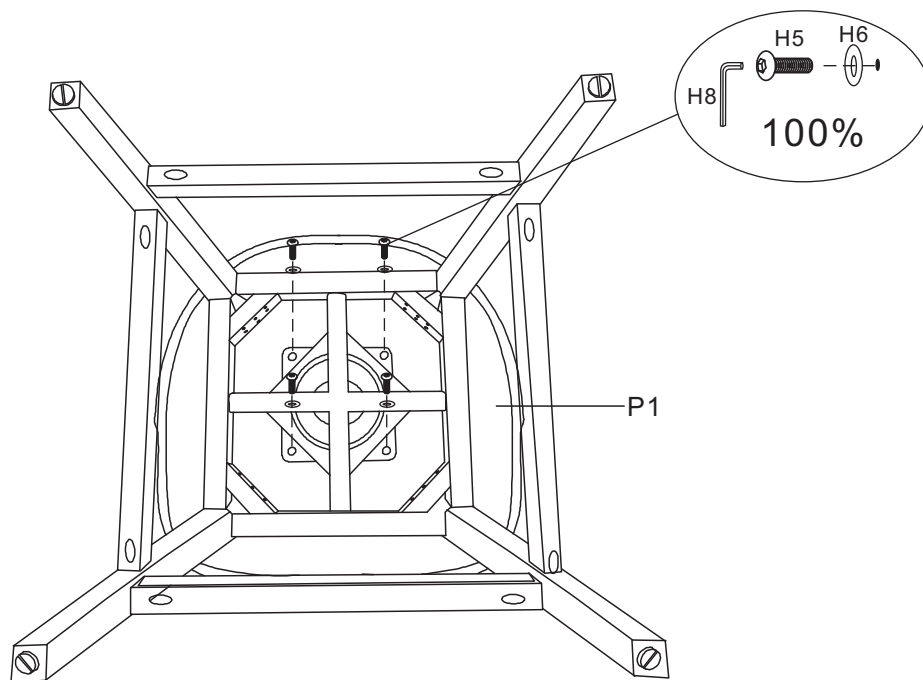
Step 3. Turn the whole leg frame, upright on the surface tighten all bolts securely with allen wrench.



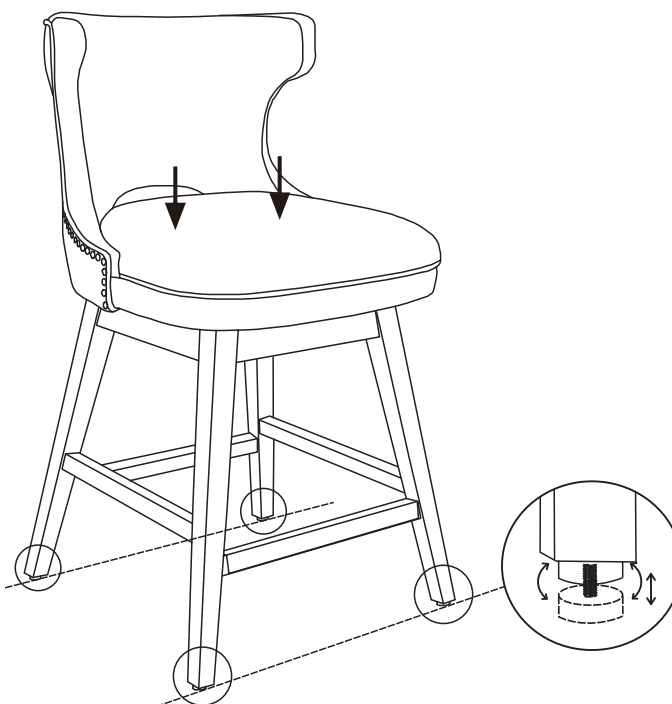
Step 4. Attach the swivel(P2) to the leg frame with bolts(H4) and flat washes(H6), tighten all bolts securely with allen wrench(H8) .



Step 5. Lay chair on its side and then attach the swivel(P2) to the bottom of chair seat (P1) with bolts(H5), flat washes(H6) and tighten all bolts securely with allen wrench (H8)



Step 6. Turn chair upright on a level surface. Adjust levelers (as drawing) as necessary.



**ADDITIONAL NOTE ABOUT SAFETY: BOLTS MAY LOOSEN DURING NORMAL EVERYDAY USE. THEY SHOULD BE PERIODICALLY INSPECTED AND RE-TIGHTENED TO PREVENT DAMAGE OR INJURY. ALWAYS CHECK TO ENSURE THAT ALL HARDWARE IS KEPT TIGHTENED.**

Thank you for your purchase