

# ASSEMBLY INSTRUCTIONS

## Description: Dawson Arm Chair









**Important safety instructions:**

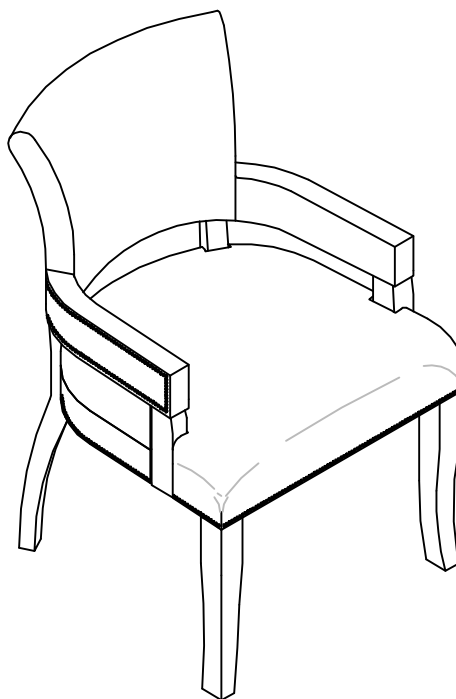
- Please read carefully all instructions before assembly.
- For your safety and ease, assembly by two or more adults is recommended.
- Keep instructions for future use.

**Pre-assembly:**








- Do not discard any content until assembly is complete to avoid accidentally discarding small parts or hardware.
- Take out all parts and hardware from box.

**Parts List**

Item	Description	QTY
P1	Chair Back Top 	1
P2	Seat Cushion 	1
P3	Right Arm Post  	1
P4	Left Arm Post  	1
P5	Front Legs 	2
P6	Back Legs 	2



**Hardware List**

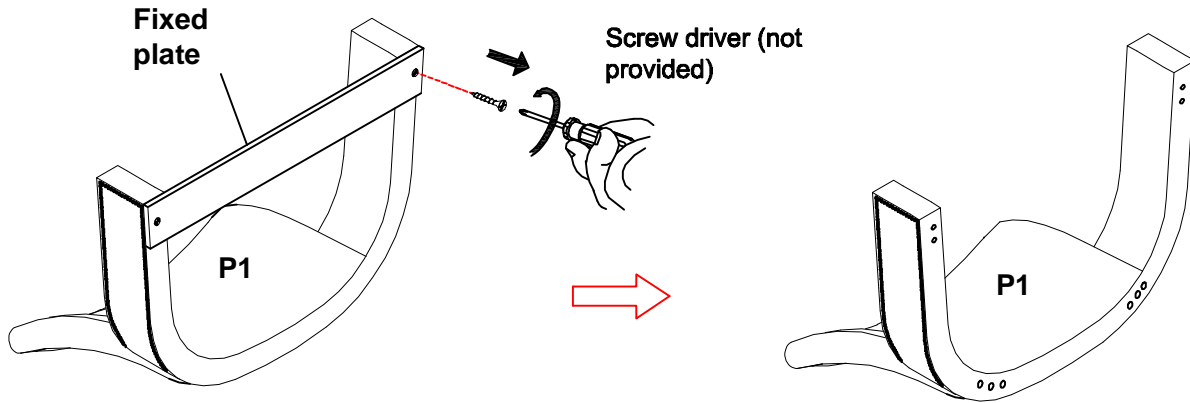
Item	Description	QTY
H1	Long Bolts Ø5/16**2-3/4" 	4
H2	Medium Bolts Ø5/16**2" 	4
H3	Short Bolts Ø5/16**1-3/4" 	4
H4	Short Bolts Ø5/16**1" 	6
H5	Lock Washers 5/16" 	18
H6	Flat Washers 5/16" 	18
H7	Allen Wrench 5/16" 	1

**DISCLAIMER:**





**WHEN PROPERLY ASSEMBLED, THIS ITEM IS SAFE FOR INTENDED USE. SELLER IS NOT LIABLE FOR ANY DAMAGES RESULTING FROM ITEM BEING IMPROPERLY ASSEMBLED AFTER PURCHASE.**

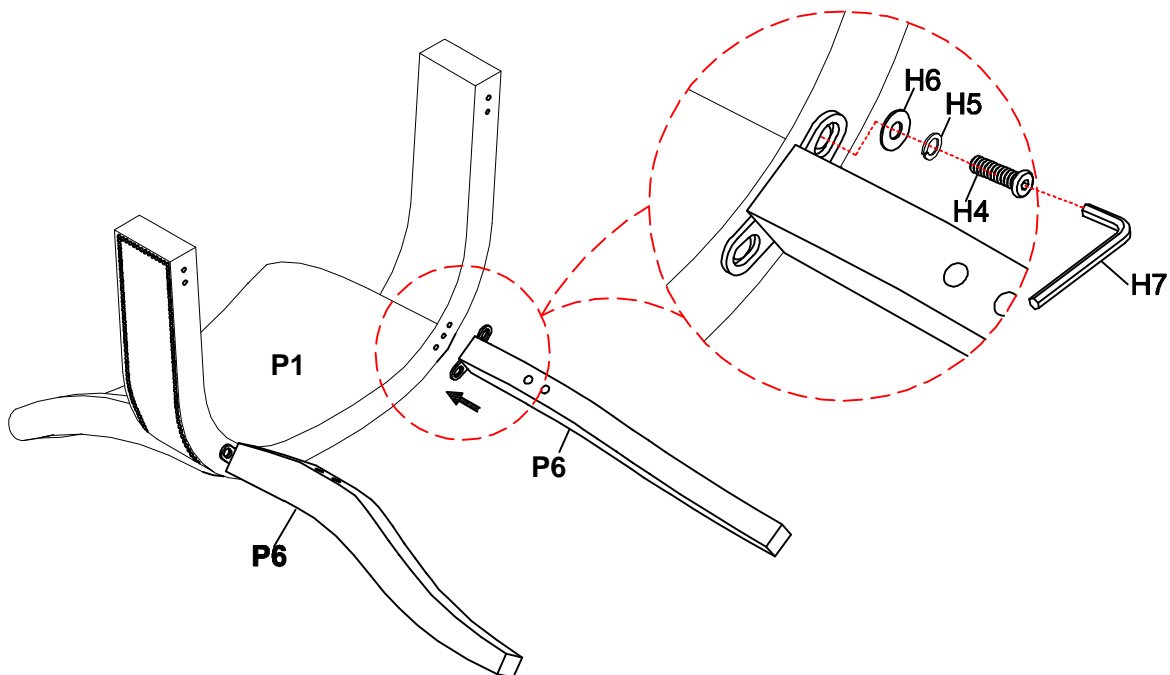
**Assembly Procedures:**

**Step 1. Assemble the chair on a flat, soft surface such as a carpet or cloth to prevent scratching the finish. Remove the fixed plate from the bottom of chair back top (P1) by unscrewing out of the screws with screw driver(not provided).**




**Step 2. Attach the each back leg (P6) to chair back top (P1) as shown below.**

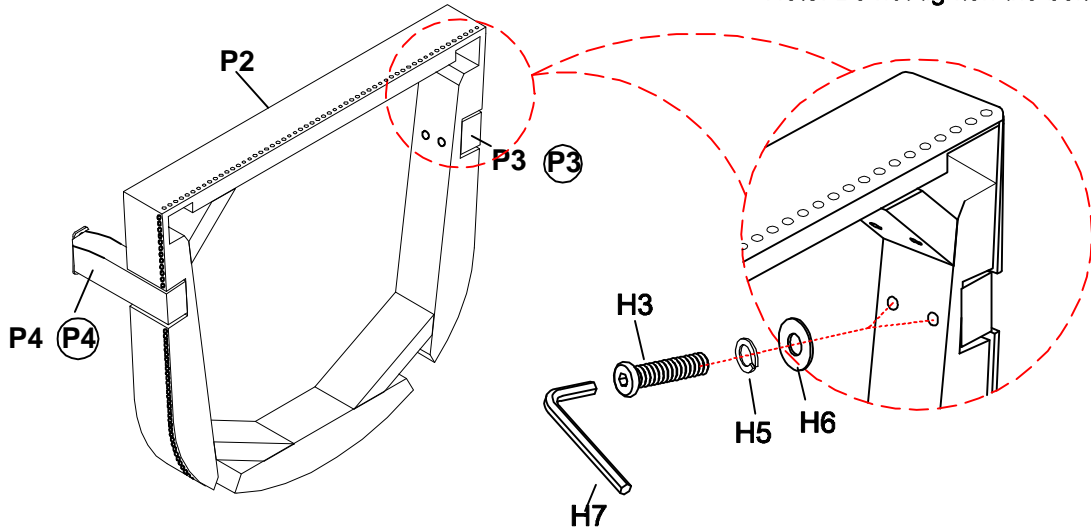
- |        |              |            |   |
|--------|--------------|------------|---|
| (H4)x4 | Short Bolts  | Ø5/16"x1"L |  |
| (H5)x4 | Lock Washers | Ø5/16"     |  |
| (H6)x4 | Flat Washers | Ø5/16"     |  |
| (H7)x1 | Allen Wrench | Ø5/16"     |  |



Step 3. Loosely attach right arm post (P3) and left arm post (P4) to seat cushion (P2) according to the labels "P3", "P4" on the arm post as shown below.

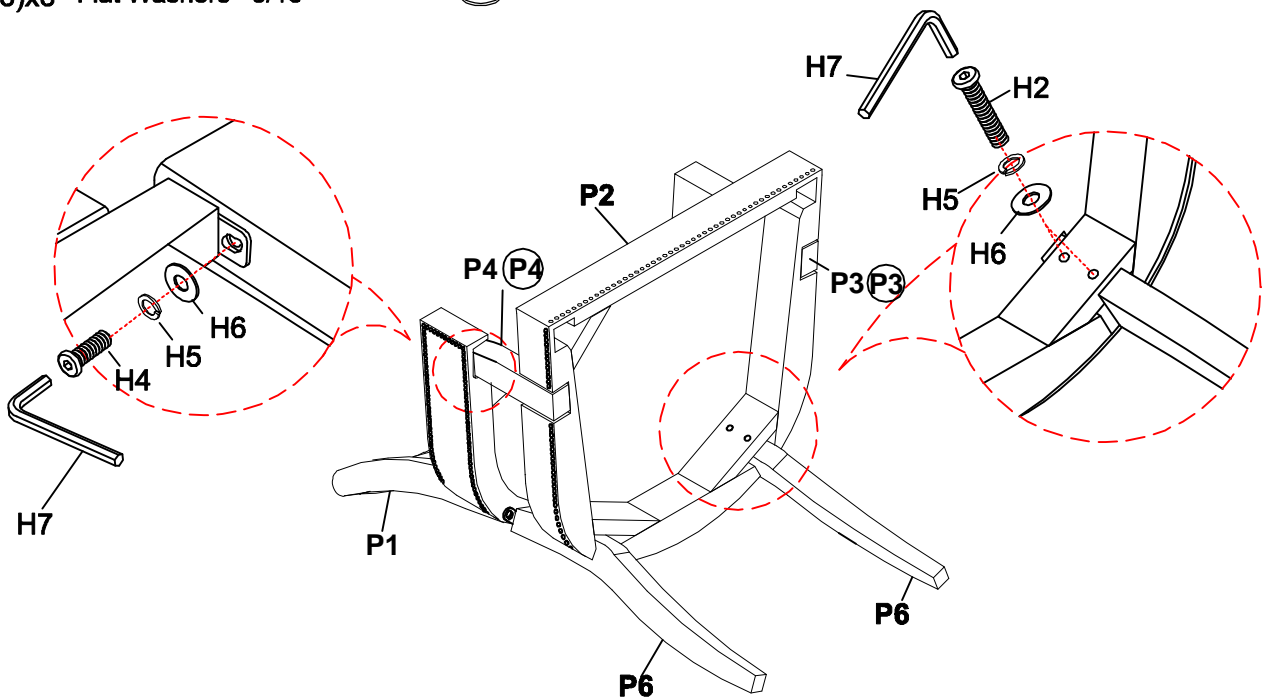
- (H3)x4 Short Bolts  $\varnothing 5/16"$  \*1-3/4" 
- (H5)x4 Lock Washers 5/16" 
- (H6)x4 Flat Washers 5/16" 
- (H7)x1 Allen Wrench 5/16" 

Note: Do not tighten the bolts.







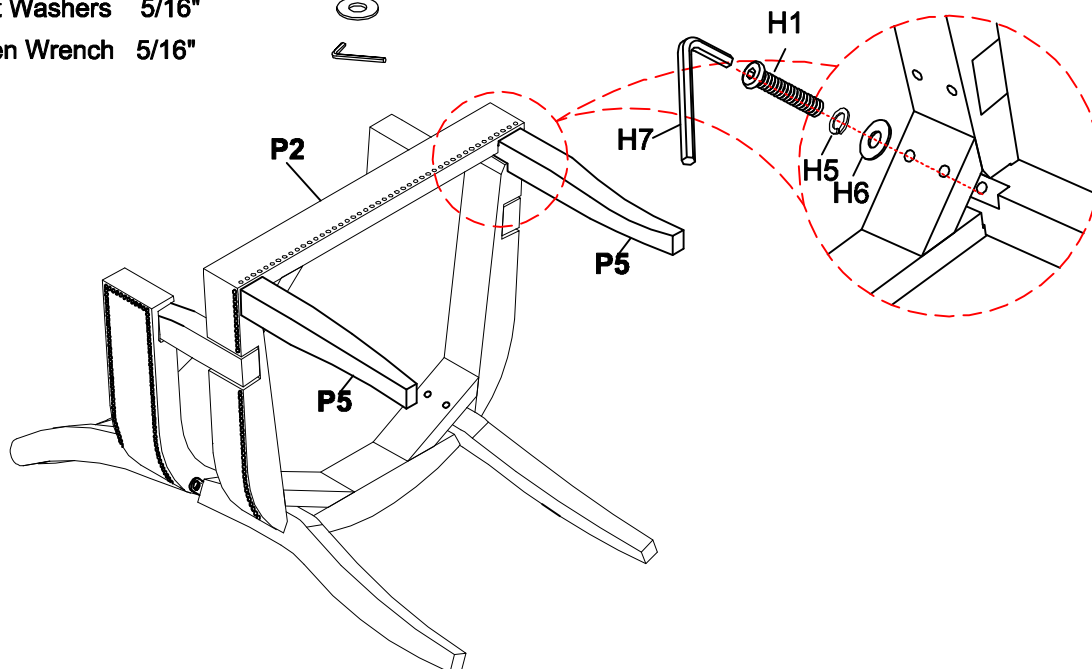
Step 4. Attach the assembled arm posts (P3, P4) and seat cushion (P2) to the bottom of chair back top (P1) and back legs (P6) as shown below.

- (H2)x4 Medium Bolts  $\varnothing 5/16"$  \*x2"L 
- (H4)x2 Short Bolts  $\varnothing 5/16"$  \*x1"L 
- (H5)x6 Lock Washers 5/16" 
- (H7)x1 Allen Wrench 5/16" 
- (H6)x6 Flat Washers 5/16" 



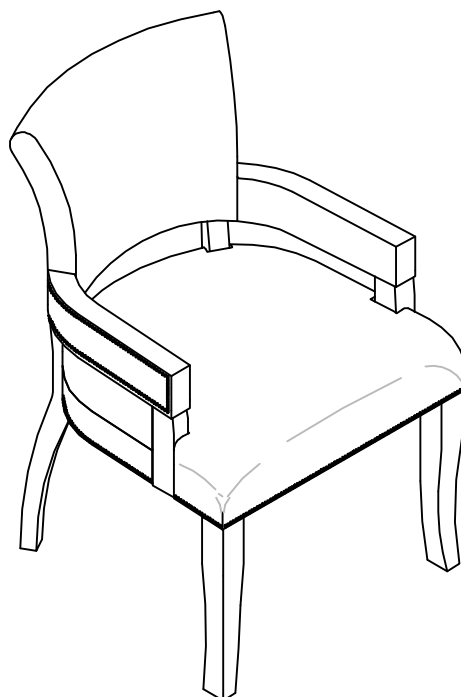
Step 5. Attach the front legs (P5) to the seat cushion (P2) as shown below.

- (H1)x4 Long Bolts  $\text{\O}5/16\text{"}\times 2\text{-}3/4\text{"}$  
- (H5)x4 Lock Washers  $5/16\text{"}$  
- (H6)x4 Flat Washers  $5/16\text{"}$  
- (H7)x1 Allen Wrench  $5/16\text{"}$  



Step 6.

- 1) Turn the assembled chair to an upright position. Make sure the chair is level and securely tighten all bolts by Allen wrench (H7).
- 2) Assembly is complete. **Failure to follow these instructions may cause the bolts to misalign during assembly.**



**ADDITIONAL NOTE ABOUT SAFETY: BOLTS MAY LOOSEN DURING NORMAL EVERYDAY USE. THEY SHOULD BE PERIODICALLY INSPECTED AND RE-TIGHTENED TO PREVENT DAMAGE OR INJURY. ALWAYS CHECK TO ENSURE THAT ALL HARDWARE IS KEPT TIGHTENED.**

Thank you for your purchase