

## ASSEMBLY INSTRUCTIONS

Description: Arm Chair







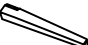

### Important safety instructions:

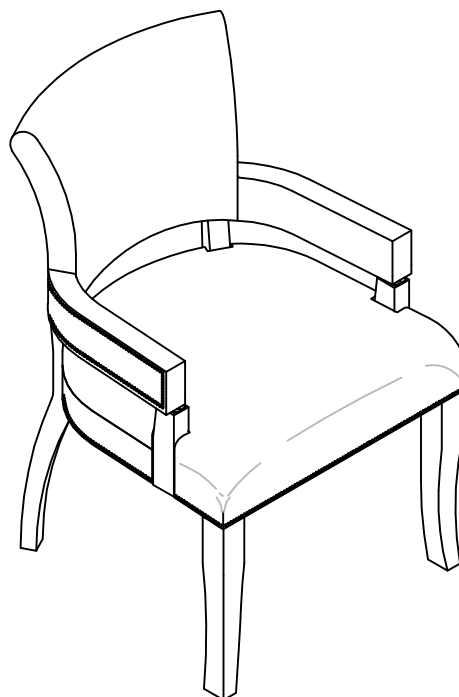
- Please carefully read all instructions before assembling the chair.
- For your safety and ease, assembly by two or more adults is recommended.
- Keep instructions for future use.

### Pre-assembly:







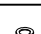

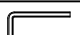
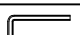
- Do not discard any contents until after assembly is complete to avoid accidentally discarding small parts or hardware.
- Remove all parts and hardware from box along with any plastic protective packaging.

### Parts List

Item	Description	QTY
A	Chair Back Top 	1
B	Seat Cushion 	1
C	Right Arm Post  	1
D	Left Arm Post  	1
E	Front Legs 	2
F	Back Legs 	2

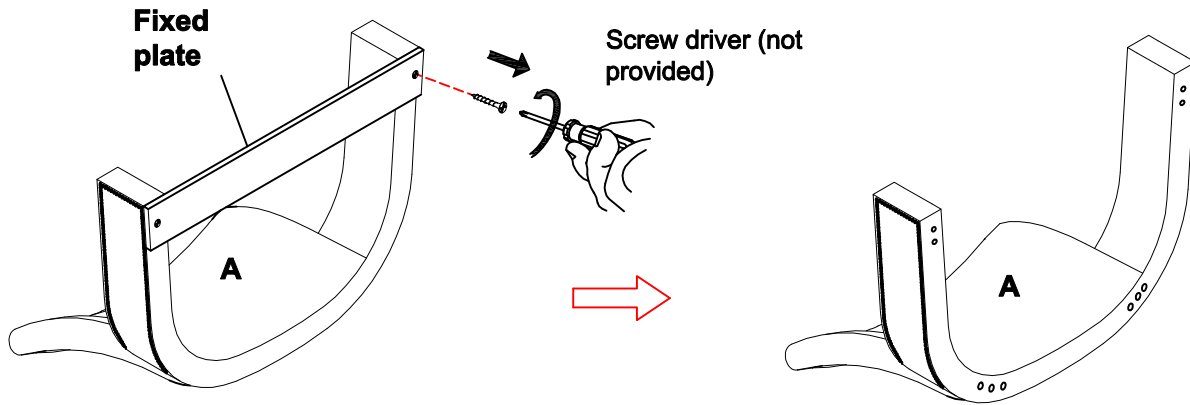


### Hardware List





Item	Description	QTY
a	Bolts $\varnothing 5/16 \times 3-1/4$ " 	4
b	Bolts $\varnothing 5/16 \times 2$ " 	4
c	Bolts $\varnothing 5/16 \times 1-3/4$ " 	4
d	Bolts $\varnothing 1/4 \times 1$ " 	6
e	Lock Washers $5/16$ " 	12
f	Flat Washers $5/16$ " 	12
g	Lock Washers $1/4$ " 	6
h	Flat Washers $1/4$ " 	6
i	Allen Wrench $5/16$ " 	1
j	Allen Wrench $1/4$ " 	1

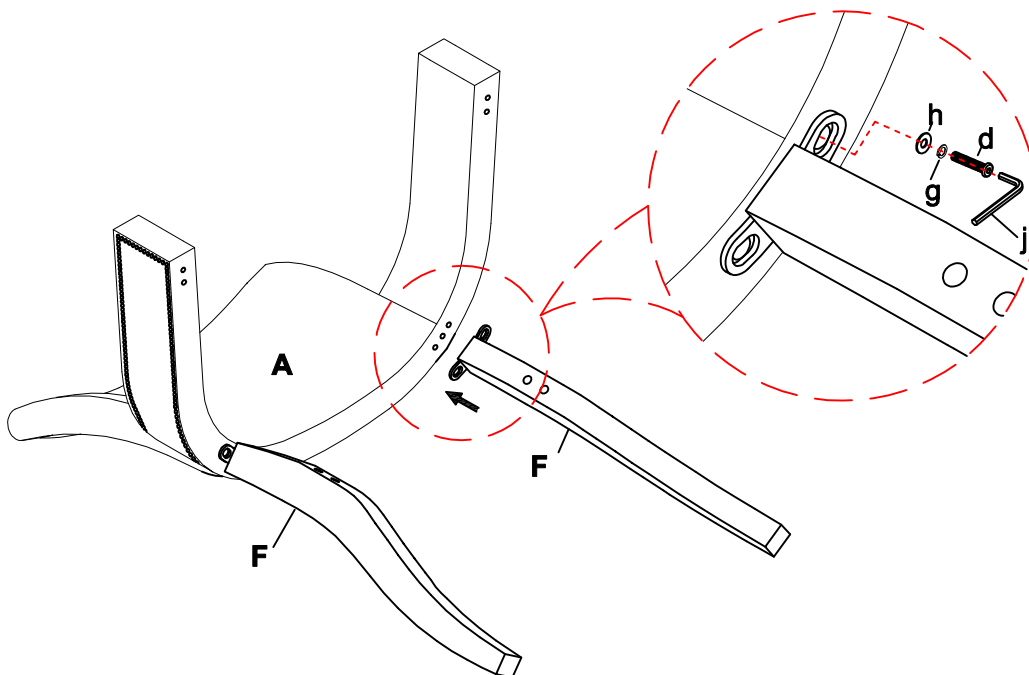
**Assembly Procedures:**

Step 1. Assemble the arm stool on a flat, soft surface such as a carpet or cloth to prevent scratching the finish. Remove the fixed plate from the bottom of top chair back (A) by unscrewing out of the screws with screw driver(not provided).







Step 2. Attach the each back leg (F) to chair back top (A) using bolts (d), lock washers (g) and flat washers (h) as shown below. securely tighten all bolts with Allen wrench (j).

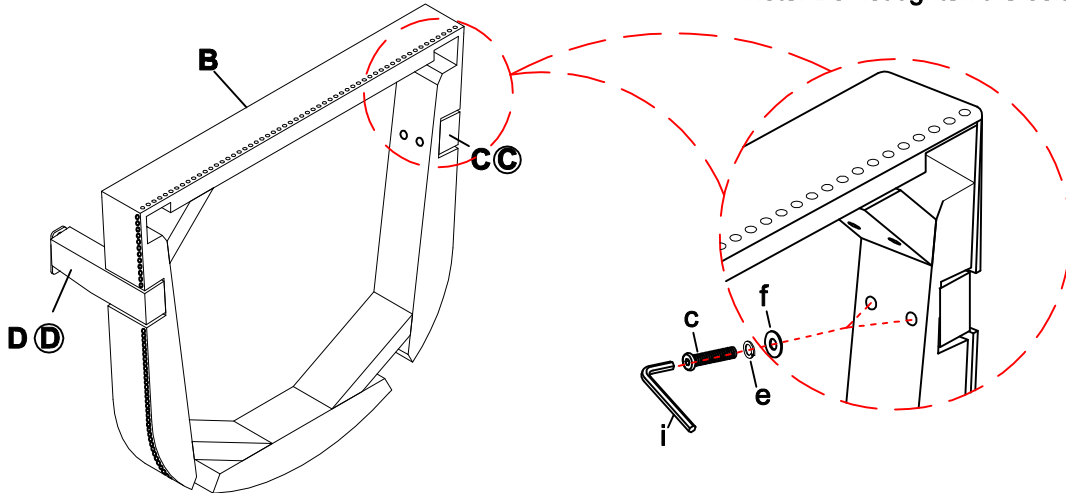
- (d)x4 Small Bolts  $\text{Ø}1/4\text{"x}1\text{"L}$  
- (g)x4 Lock Washers 1/4" 
- (h)x4 Flat Washers 1/4" 
- (j)x1 Allen Wrench 1/4" 



Step 3. Loosely attach right arm port (C) and left arm port (D) to seat cushion (B) according to the labels "C", "D" on the arm post using bolts (c), lock washers (e) and flat washers (f). Loosely tighten with Allen wrench (i).

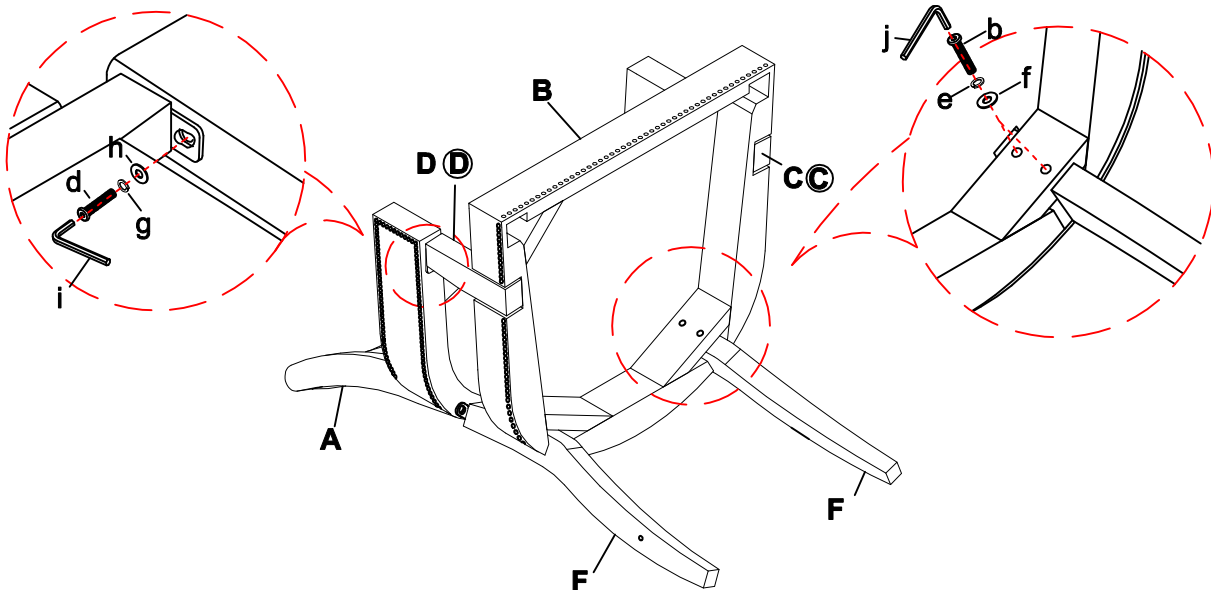
- (c)x4 Big Short Bolts  $\varnothing 5/16 \times 1-3/4 \text{ L}$  
- (e)x4 Lock Washers  $5/16 \text{ ''}$  
- (f)x4 Flat Washers  $5/16 \text{ ''}$  
- (i)x1 Allen Wrench  $5/16 \text{ ''}$  

Note: Do not tighten the bolts.



Step 4. Attach the assembled arm posts (C, D) and seat cushion (B) to the bottom of chair back top (A) and back legs (F) as shown below. Securely tighten the bolts with Allen wrench (i & j).


- (b)x4 Big Medium Bolts  $\varnothing 5/16 \times 2 \text{ L}$  
- (d)x2 Small Bolts  $\varnothing 1/4 \times 1 \text{ L}$  
- (e)x4 Lock Washers  $5/16 \text{ ''}$  
- (g)x2 Lock Washers  $1/4 \text{ ''}$  
- (f)x4 Flat Washers  $5/16 \text{ ''}$  
- (h)x2 Flat Washers  $1/4 \text{ ''}$  

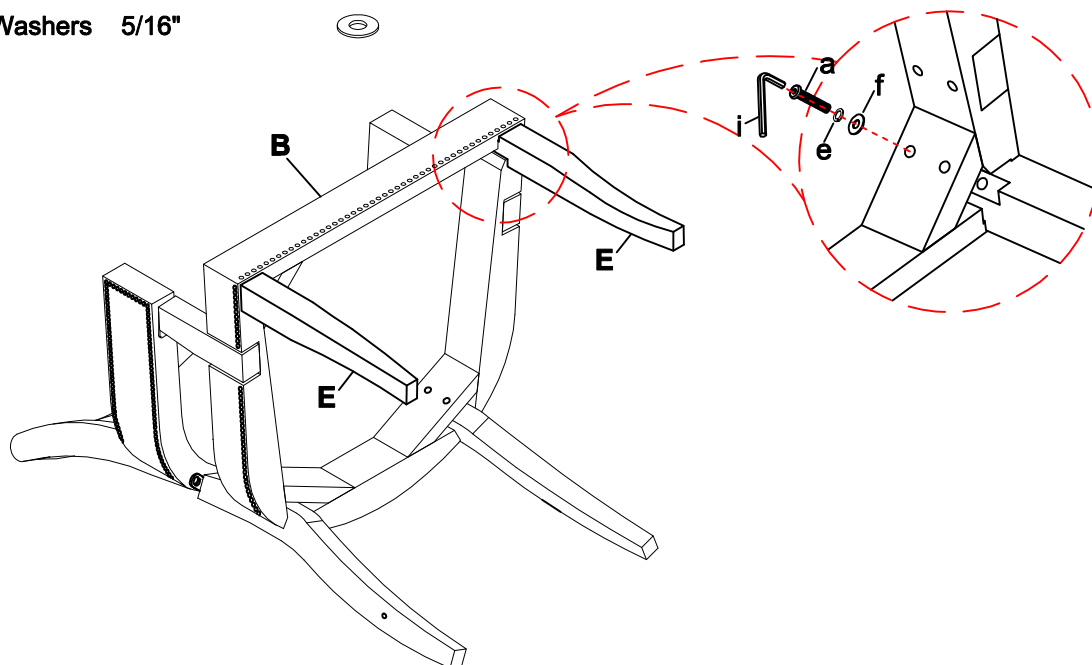


Step 5. Attach the front legs (E) to the seat cushion (B) using bolts (a), lock washers (e), flat washers (f). Loosely tighten the bolts with Allen wrench (i).

(a)x4 Big Long Bolts  $\varnothing 5/16$ "x3-1/4"L 

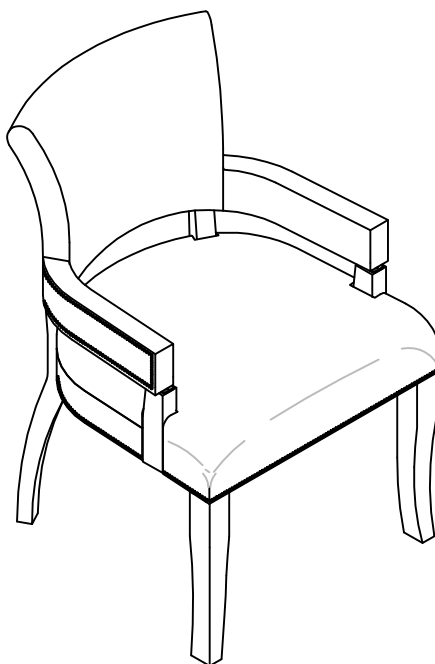
(e)x4 Lock Washers 5/16" 

(f)x4 Flat Washers 5/16" 



Step 6.

- 1) Turn the assembled chair to an upright position. Make sure the chair is level and securely tighten all bolts by Allen wrench (i, j).
- 2) Assembly is complete. **Failure to follow these instructions may cause the bolts to misalign during assembly.**



**ADDITIONAL NOTE ABOUT SAFETY: BOLTS MAY LOOSEN DURING NORMAL EVERYDAY USE. THEY SHOULD BE PERIODICALLY INSPECTED AND RE-TIGHTENED TO PREVENT DAMAGE OR INJURY. ALWAYS CHECK TO BE SURE THAT ALL HARDWARE IS KEPT TIGHTENED.**

Thank you for your purchase