

# NATE+ JEREMIAH

FOR LIVING SPACES



## BOX OF HEADBOARD (BOX 1)

1	PB5505-64H		X1
2	PB5505-64H-SR		X1
3L	PB5505-54H-HL1		X1
3R	PB5505-54H-HL2		X1
E	PB5505-54H-HD		X10 5/16" DIAMETER x 3/4" x 5/64"
F	PB5505-54H-HD		X10 5/16" DIAMETER x 1/2" x 1/16"
G	PB5505-54H-HD		X10 5/16" DIAMETER x 2" LENGTH
H	PB5505-54H-HD		X1 ALLEN KEY 4mm

## BOX OF STORAGE RAILS (BOX 2)

5	PB5505-64SR-DW		X2
6	PB5505-64R-CL		X2
A	PB5505-54R-HD		X8 05/16" DIAMETER x 3-1/8" LENGTH
B	PB5505-54R-HD		X8 5/16" DIAMETER
C	PB5505-54R-HD		X8 05/16" DIAMETER x 5/8"
D	PB5505-54R-HD		X1 WRENCH 12mm
I	P99-00SR		X28 #4 x 1-1/4"
J	PB5505-74R-HD		X10 1/4" DIAMETER x 2-3/8" LENGTH
K	PB5505-74R-HD		X10 1/4" DIAMETER x 1/2" x 5/64"
L	PB5505-74R-HD		X10 1/4" DIAMETER x 3/8" x 1/16"

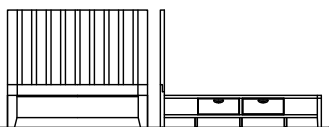
## BOX OF FOOT BOARD (BOX 3)

4	PB5505-64F		X1
7	P99-00KRS-LV		X2
8	PB5505-64SR-BS		X2
9	PB5505-54SR-SB		X6
10	PB5505-54SR-SS		X4

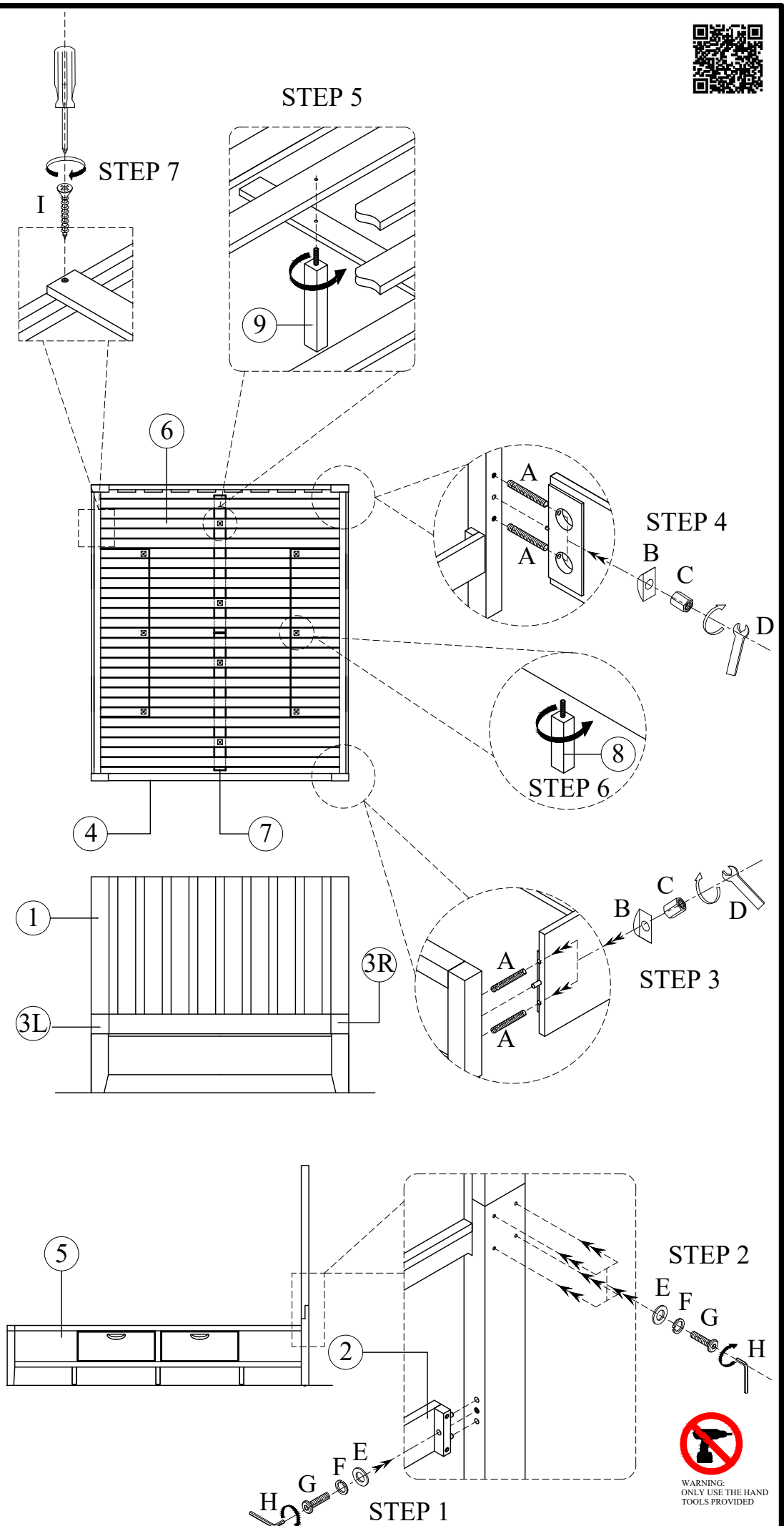
### TOOLS REQUIRED (NOT PROVIDED):

PHILLIPS SCREW DRIVER

GUSTAV



297598  
B5505-64F KING PANEL BED FB  
297599  
B5505-64H KING PANEL BED HB  
297601  
B5505-64SR KING STORAGE RAILS



WARNING:  
ONLY USE THE HAND  
TOOLS PROVIDED