





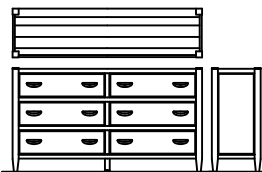
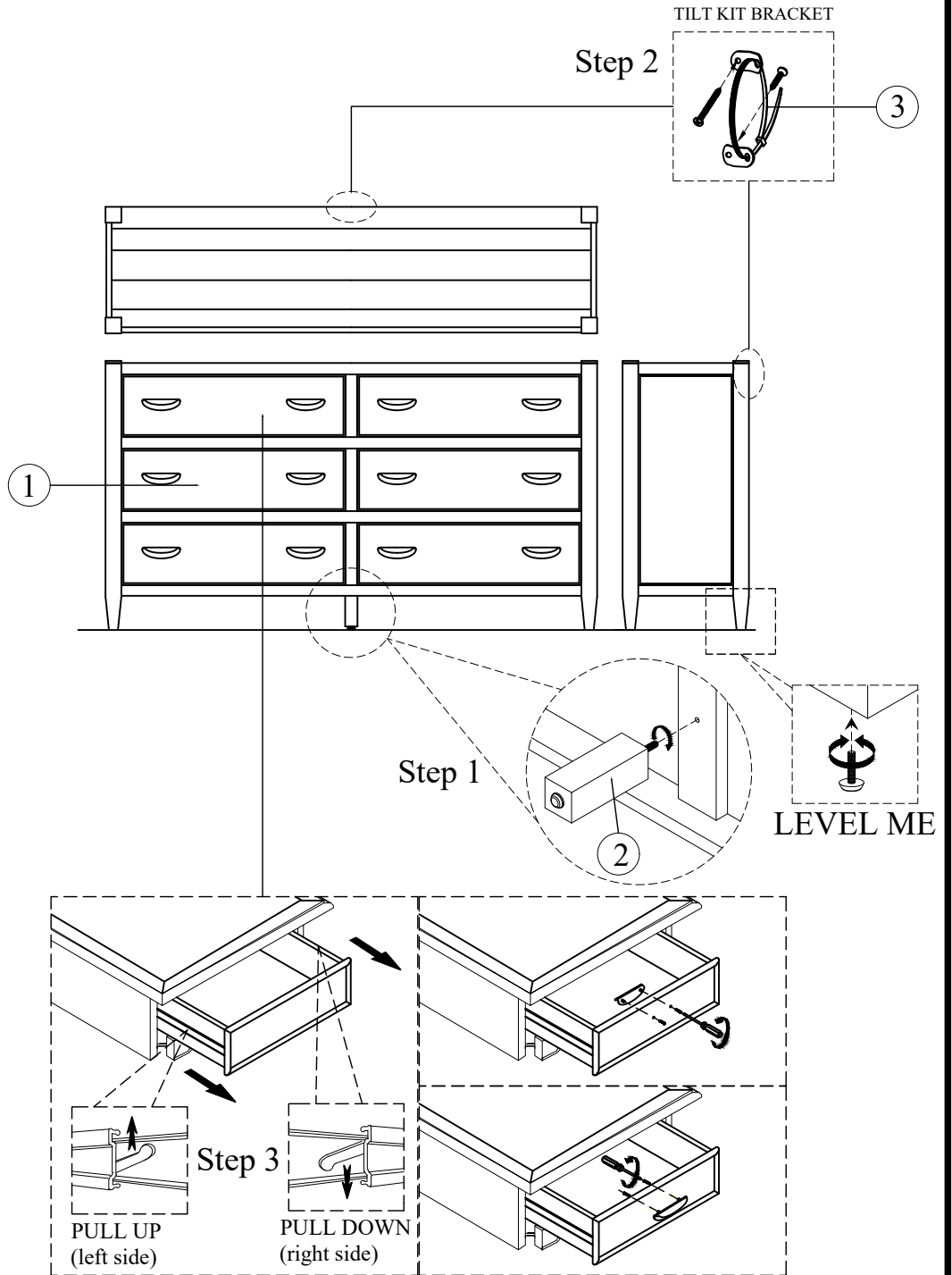
NATE+ JEREMIAH

FOR LIVING SPACES

1	PB5505-22DD		X1
2	PB5505-22CL		X1
3	P99-00R		X1
A			
B			
C			
D			

TOOLS REQUIRED (NOT PROVIDED):
PHILLIPS SCREW DRIVER 

GUSTAV



297591
 B5505-22
 DOUBLE DRAWER DRESSER



NOTE:
 THE TABLE OR CASE SHOULD BE LOCKED IN POSITION AND LEVELLED USING A SPIRIT LEVEL.
 (SPIRIT LEVEL NOT INCLUDED)



WARNING:
 ONLY USE THE HAND
 TOOLS PROVIDED