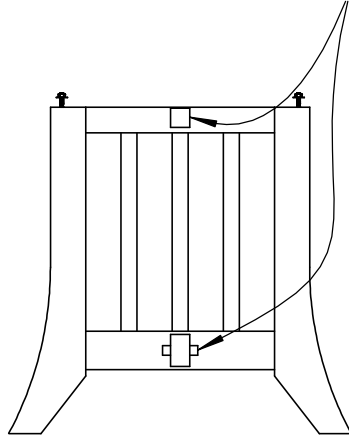


# Riverson Table Assembly Instructions

**Step 1** - First, Remove the Bolt Covers on Each End Frame

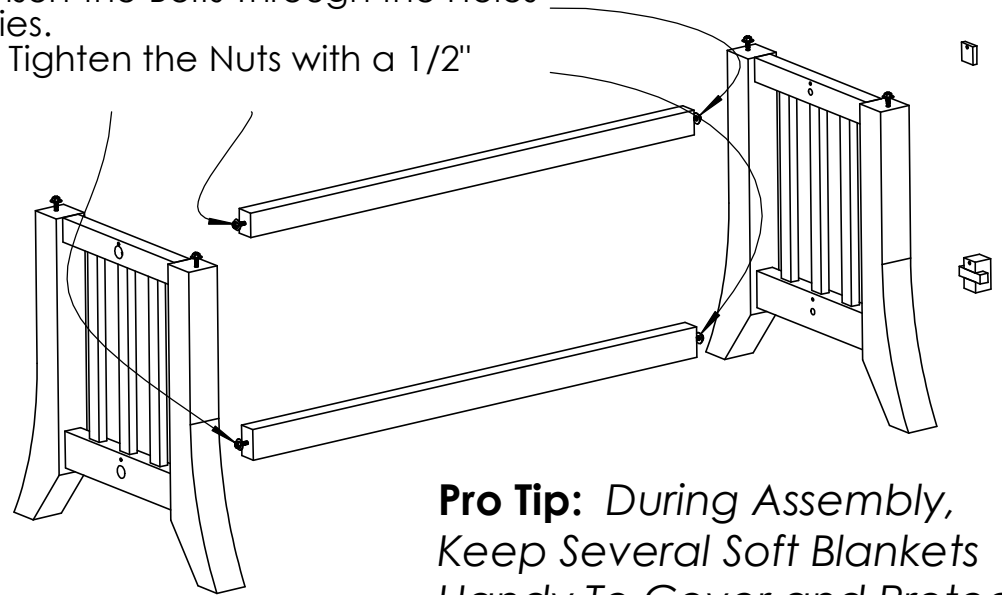


**Required Tools:**

- 1/2" Socket and Ratchet
- (Optional) Your Favorite Handyman Hat

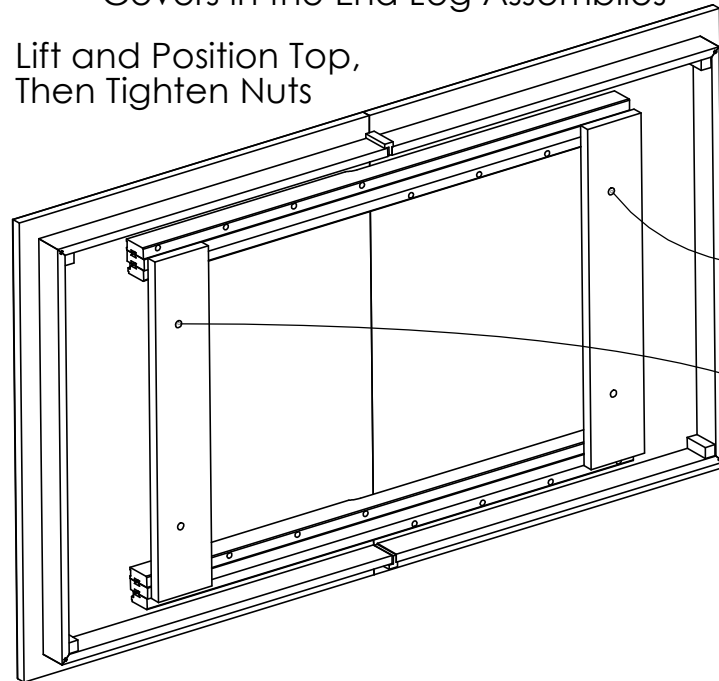
**Step 2** - Now Remove the Nuts from the Crosspieces, and Insert the Bolts Through the Holes in the Leg Assemblies.

**2b** - After Inserting, Tighten the Nuts with a 1/2" Socket & Ratchet



**Step 3** - Next, Re-Insert the Bolt Covers in the End Leg Assemblies

Lift and Position Top,  
Then Tighten Nuts



**Pro Tip:** *During Assembly, Keep Several Soft Blankets Handy To Cover and Protect Your Table Parts*

**Step 4** - Last Step! - Remove the Table Top From Packaging and Mount it to the Freshly Assembled Base. For Easy Install, There are (4) Pre-drilled & Fitted Mount Bolts

