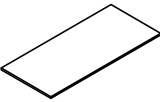
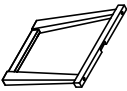









**Read instructions carefully prior to assembly.**

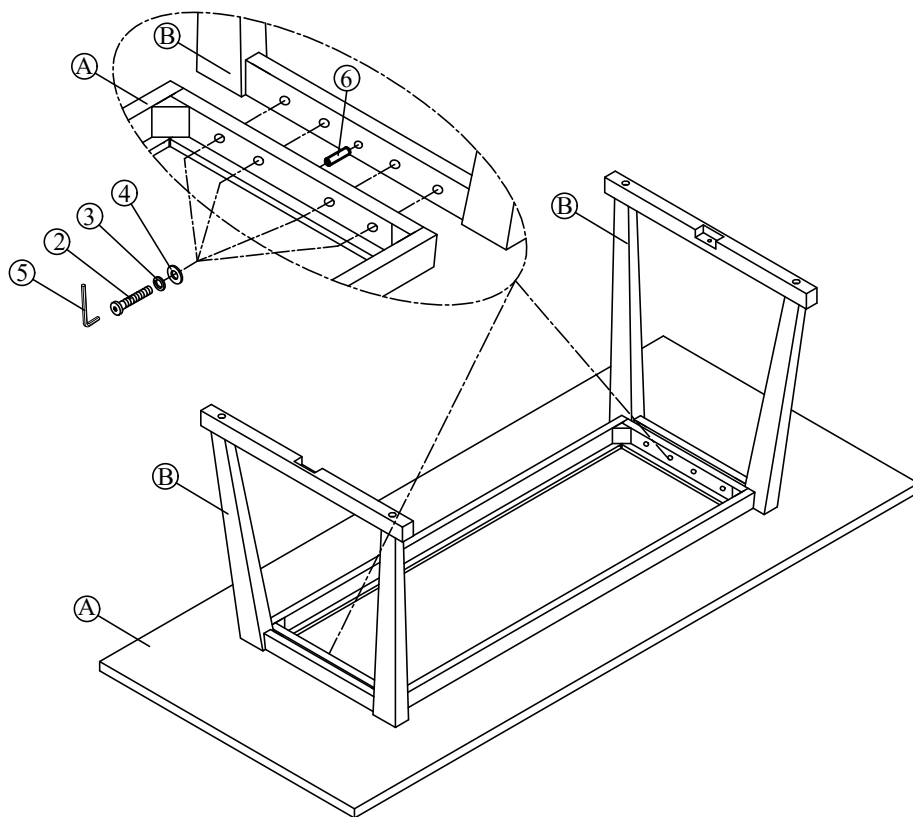
Thank you for purchasing this quality product. Check carefully for small parts which may come loose during shipment. Remove all components from pack and place top down on soft surface such as carpet or cloth to prevent scratching the finish. Identify and count all parts as specified below.

**It is recommended to use two or more people during the assembly process.**

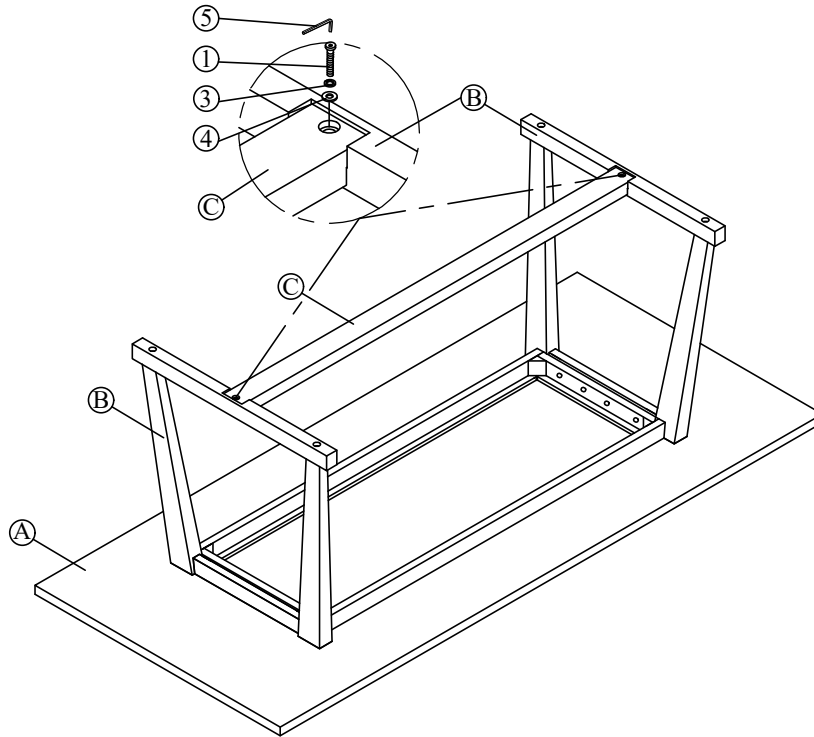
PARTS LIST			
No.	Description	Sketch	Qty
A	Table Top		1 pc
B	Table Leg Frame		2 pcs
C	Table Stretcher		1 pc

HARDWARE LIST				
No.	Description	Sketch	Size	Qty
1	Short Bolt		φ5/16" x 38mm	2 pcs
2	Long Bolt		φ5/16" x 50mm	8 pcs
3	Spring Washer		φ5/16"	10 pcs
4	Flat Washer		φ5/16" x 19mm	10 pcs
5	Allen Key		4mm	1 pc
6	Wood Dowel		10 x 30mm	2 pcs

**Step 1:** Place the Table Top (A) on a piece of cloth or carpet to prevent finish from scratching. Insert Wood Dowel (6) into Table Leg Frame (B). Attach the Table Leg Frame (B) to Table Top (A) by using Flat Washer (4), Spring Washer (3), Long Bolt (2) and tighten with Allen Key (5). Do not fully tighten the bolts.



**Step 2:** Attach the Table Stretcher (C) to Table Leg Frame (B) by using Flat Washer (4), Spring Washer (3), Short Bolt (1) and tighten with Allen Key (5).



**Step 3:** Tighten all Allen Bolts so that the table does not wobble and turn up table on upright position on level surface.

