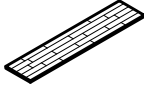











**Read instructions carefully prior to assembly.**

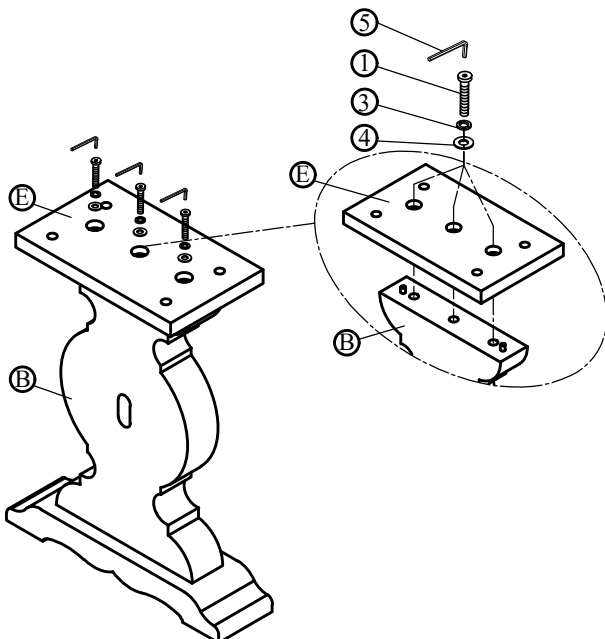
Thank you for purchasing this quality product. Check carefully for small parts which may come loose during shipment. Remove all components from pack and place top down on soft surface such as carpet or cloth to prevent scratching the finish. Identify and count all parts as specified below.

**It is recommended to use two or more people during the assembly process.**

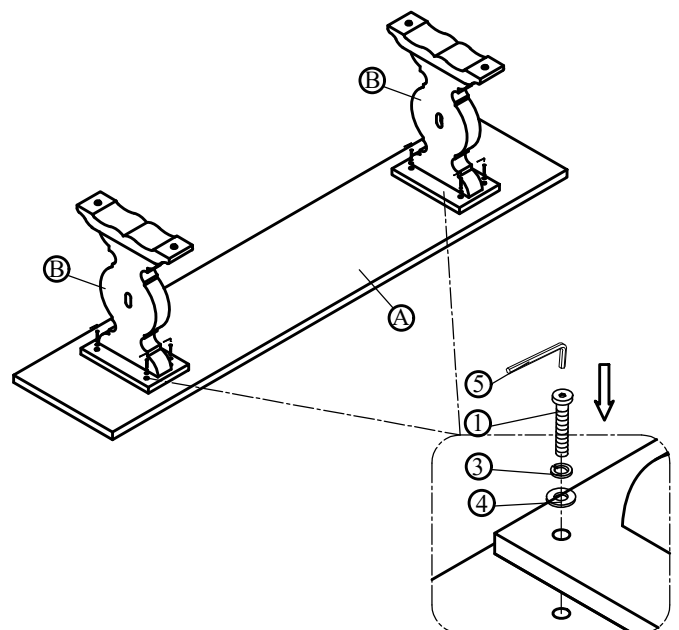
| PARTS LIST |                |   |       |
|------------|----------------|---|-------|
| No.        | Description    | Sketch  | Qty   |
| A          | Bench Top      |    | 1 pc  |
| B          | Bench Leg      |    | 2 pcs |
| C          | Stretcher      |    | 1 pc  |
| D          | Wood Plug      |  | 2 pcs |
| E          | Mounting Plate |  | 2 pcs |

| HARDWARE LIST |               |   |               |        |
|---------------|---------------|---|---------------|--------|
| No.           | Description   | Sketch  | Size          | Qty    |
| 1             | Short Bolt    |  | φ5/16" x 40mm | 14 pcs |
| 2             | Long Bolt     |  | φ5/16" x 50mm | 4 pcs  |
| 3             | Spring Washer |  | φ5/16"        | 18 pcs |
| 4             | Flat Washer   |  | φ5/16" x 19mm | 18 pcs |
| 5             | Allen Key     |  | 4mm           | 1 pc   |

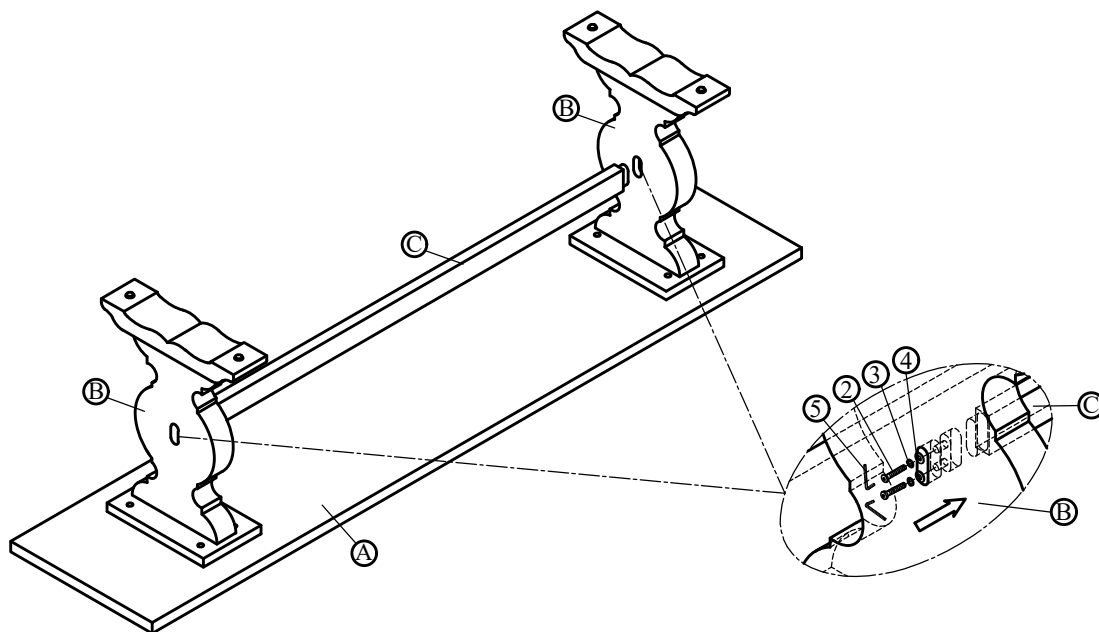
**Step 1:** Attach Mounting Plate (E) to Bench Leg (B) by using Flat Washer (4), Spring Washer (3), Short Bolt (1) and tighten with Allen Key (5).



**Step 2:** Attach the Bench Leg (B) and Mounting Plate (E) to Bench Top (A) by using Flat Washer (4), Spring Washer (3), Short Bolt (1) and tighten with Allen Key (5). DO NOT fully tighten the bolts.



Step 3: Attach Stretcher (C) to Bench Leg (B) by using Flat Washer (4), Spring Washer (3), Long Bolt (2) and tighten with Allen Key (5).



Step 4: Tighten all Allen Bolts so that the Bench does not wobble. Attach Wood Plug (D) to hole of Bench Legs (B).

