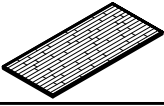











Read instructions carefully prior to assembly.

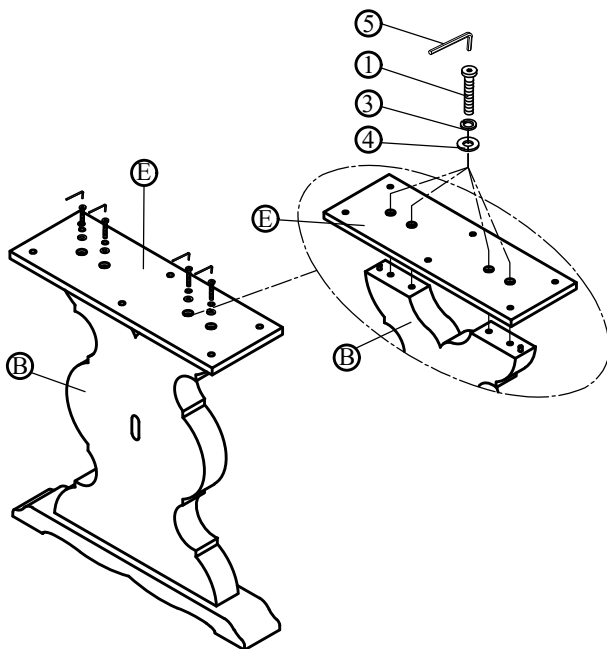
Thank you for purchasing this quality product. Check carefully for small parts which may come loose during shipment. Remove all components from pack and place top down on soft surface such as carpet or cloth to prevent scratching the finish. Identify and count all parts as specified below.

It is recommended to use two or more people during the assembly process.

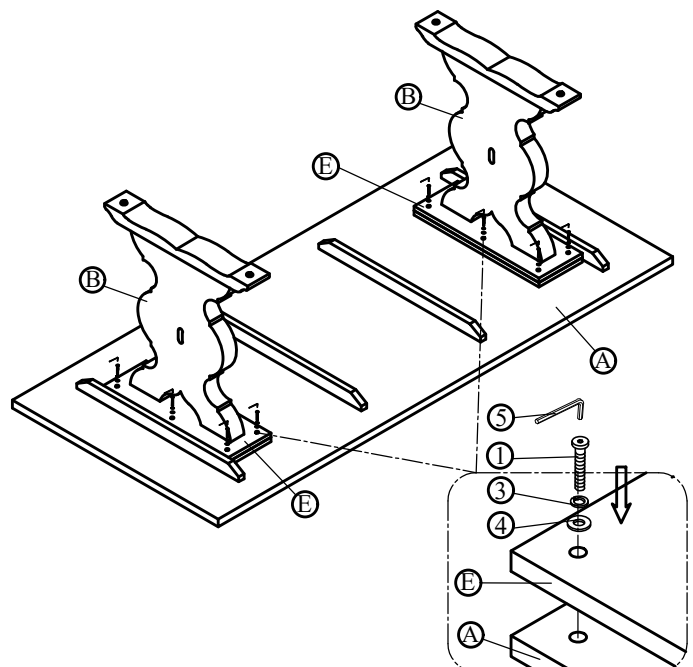
PARTS LIST			
No.	Description	Sketch	Qty
A	Table Top		1 pc
B	Table Leg		2 pcs
C	Table Stretcher		1 pc
D	Wood Plug		2 pcs
E	Mounting Plate		2 pcs

HARDWARE LIST				
No.	Description	Sketch	Size	Qty
1	Short Bolt		φ5/16" x 40mm	20 pcs
2	Long Bolt		φ5/16" x 50mm	4 pcs
3	Spring Washer		φ5/16"	24 pcs
4	Flat Washer		φ5/16" x 19mm	24 pcs
5	Allen Key		4mm	1 pc

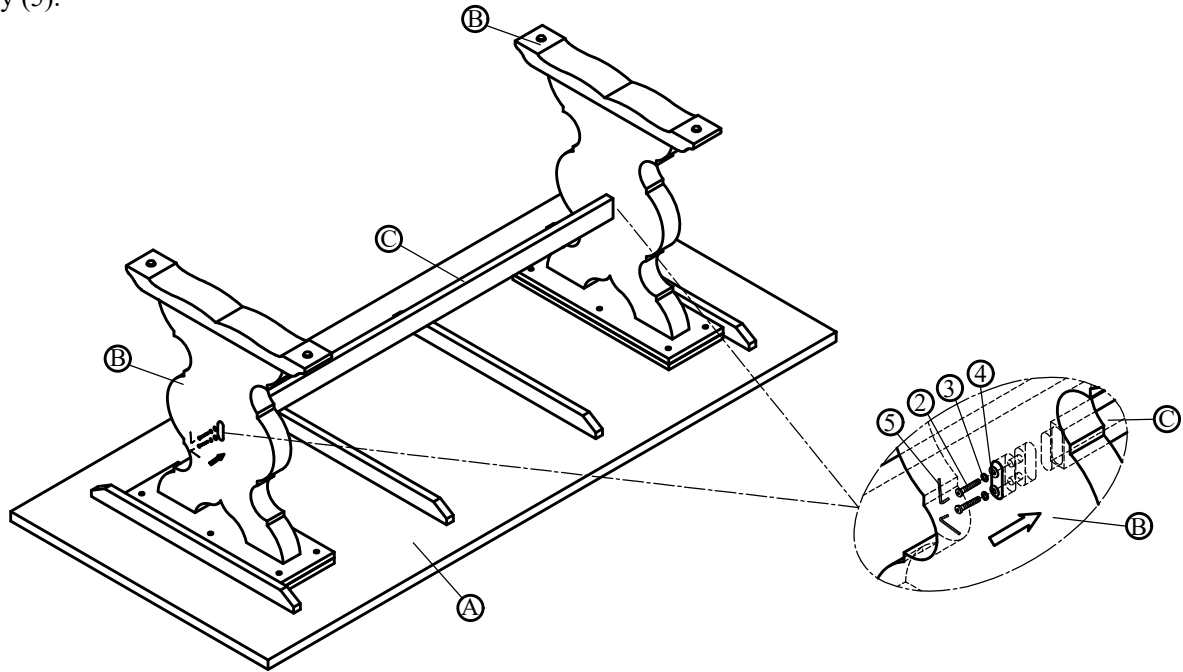
Step 1: Attach Mounting Plate (E) to Table Leg (B) by using Flat Washer (4), Spring Washer (3), Short Bolt (1) and tighten with Allen Key (5).



Step 2: Attach Table Leg (B) and Mounting Plate (E) to Table Top (A) by using Flat Washer (4), Spring Washer (3), Short Bolt (1) and tighten with Allen Key (5). Do not fully tighten the bolts.



Step 3: Attach Table Stretcher (C) to Table Leg (B) by using Flat Washer (4), Spring Washer (3), Long Bolt (2) and tighten with Allen Key (5).



Step 4: Tighten all Allen Bolts so that the Table does not wobble. Attach the Wood Plug (D) to hole of Table Legs (B).

