

ASSEMBLY INSTRUCTIONS

GROUP NO : 7070200 MONTE BED

ITEM NO: 7070201 HEADBOARD, 5/0 PANEL BED

7070203 FOOTBOARD, 5/0 PANEL BED W 5 SLATS

7070202 RAILS 5/0-6/6 PANEL BED

7070211 HEADBOARD, 6/6 PANEL BED

7070213 FOOTBOARD, 6/6 PANEL BED W 5 SLATS

7070221 HEADBOARD, 6/0 PANEL BED



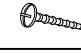


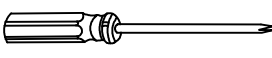
7070223 FOOTBOARD,6/0 PANEL BED W 5 SLATS


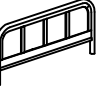


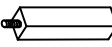
7070222 RAILS 6/0 PANEL BED

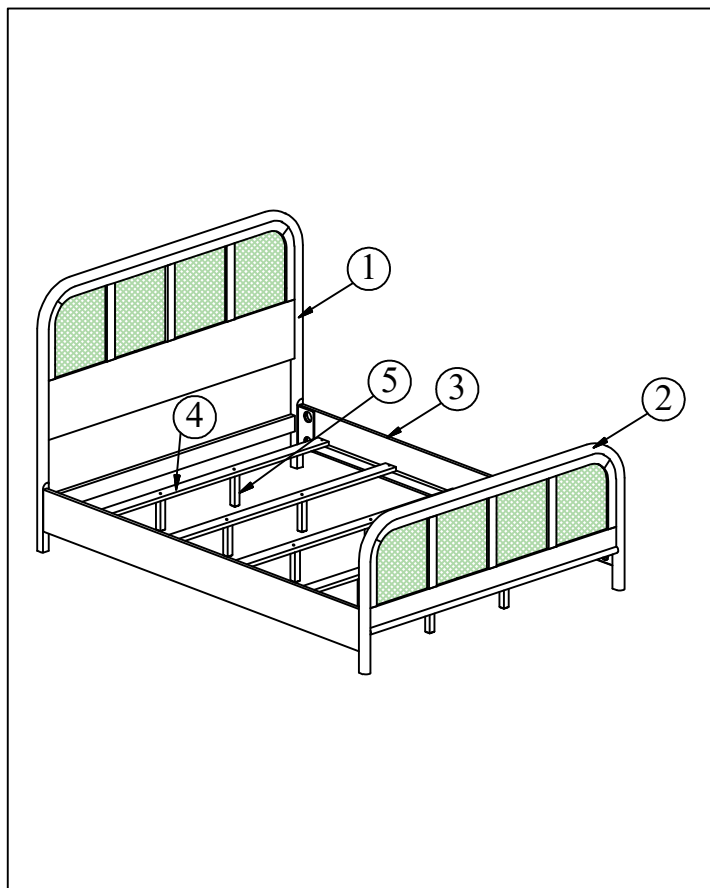
Read instructions carefully prior to assembly.

Thank you for purchasing this quality product. Check carefully for small parts which may come loose during shipment. Remove all components from pack and place top down on soft surface such as carpet or cloth to prevent scratching the finish. Identify and count all parts as specified below.

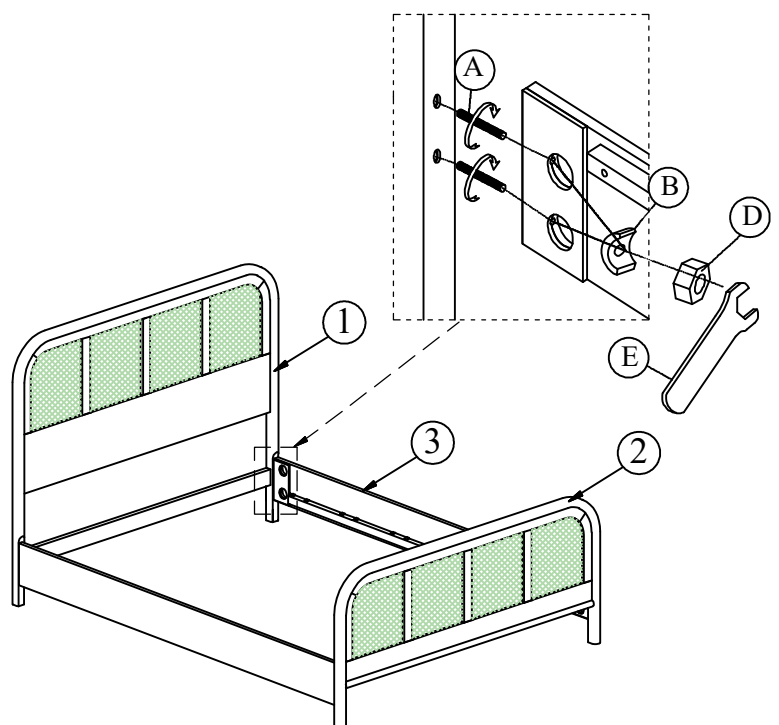
It is recommended to use two or more persons during the assembly process.

HARDWARE LIST:				
No.	Description	Sketch	Size	Qty
A	Thread Bolt		Ø 5/16" x 90mm	8 pcs
B	Curve Washer		8 x 25mm	8 pcs
C	Screw		4 x 30mm	10 pcs
D	Hex Nut		Ø 5/16" x 12mm	8 pcs
E	Wrench		12mm	1 pc
Tool Required Phillips Head Screw Driver (Not provided)				

PARTS LIST:			
No.	Description	Sketch	Qty
1	Headboard		1 pc
2	Footboard		1 pc
3	Side Rail		2 pcs
4	Slat		5 pcs
5	Slat Support Leg		10 pcs



Step 1: Turn Thread Bolt (A) to the Headboard (1) and Footboard (2). Assemble Side Rail (3) to Headboard (1) and Footboard (2) by using Curve Washer (B), Hex Nut (D) and Wrench (E).



ASSEMBLY INSTRUCTIONS

GROUP NO : 7070200 MONTE BED

ITEM NO: 7070201 HEADBOARD, 5/0 PANEL BED

7070203 FOOTBOARD, 5/0 PANEL BED W 5 SLATS

7070202 RAILS 5/0-6/6 PANEL BED

7070211 HEADBOARD, 6/6 PANEL BED

7070213 FOOTBOARD, 6/6 PANEL BED W 5 SLATS

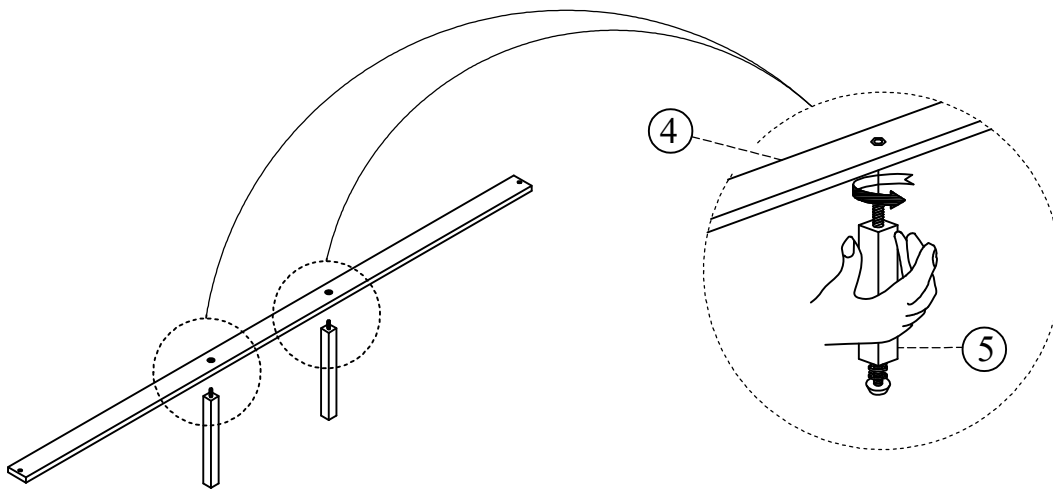
7070221 HEADBOARD, 6/0 PANEL BED

7070223 FOOTBOARD,6/0 PANEL BED W 5 SLATS

7070222 RAILS 6/0 PANEL BED

***Caution: Please read all instructions carefully before starting the assembly process. These parts are cumbersome and heavy. Therefore, two people are recommended in order to prevent personal injury and insure the parts are not damaged during the assembly.

Step 2: Attach Slat Support Leg (5) to Slat (4).



Step 3: Secure Slats (4) to Side Rail (3) by using Screw (C) and Screw Driver (Not provided).

