

ASSEMBLY INSTRUCTIONS

Description: Occasional Chair


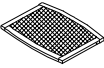


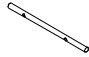

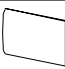
Important safety instructions:

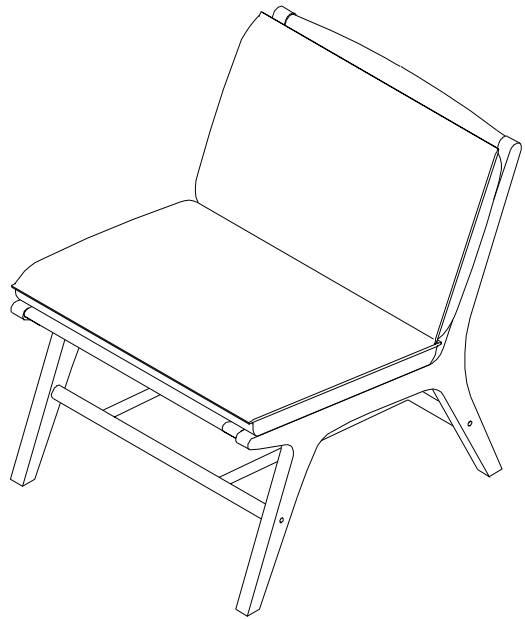
- Please carefully read all instructions before assembling the chair.
- For your safety and ease, assembly by two or more adults is recommended.
- Keep instructions for future use.

Pre-assembly:

- Do not discard any contents until after assembly is complete to avoid accidentally discarding small parts or hardware.
- Remove all parts and hardware from box along with any plastic protective packaging.

Parts List

Item	Description	QTY
A	Seat Cushion 	1
B	Back Frame 	1
C	Left Leg  (L)	1
D	Right Leg  (R)	1
E	Stretcher 1 with two holes 	2
F	Stretcher 2 	2
G	Back Cushion 	1







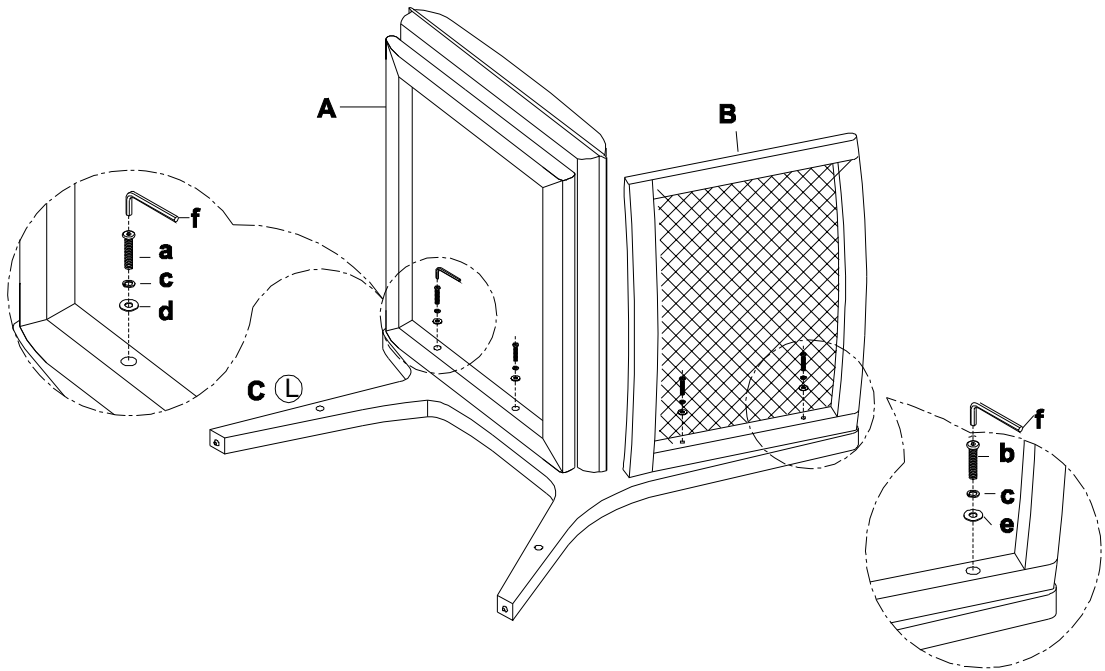
Hardware List

Item	Description	QTY
a	Bolts Ø1/4*3" 	4
b	Bolts Ø1/4*2" 	8
c	Lock Washers Ø1/4" 	12
d	Big Flat Washers Ø1/4" *19mm 	4
e	Small Flat Washers Ø1/4" *12mm 	8
f	Allen Wrench 1/4" 	1
g	Wooden Plugs 	8

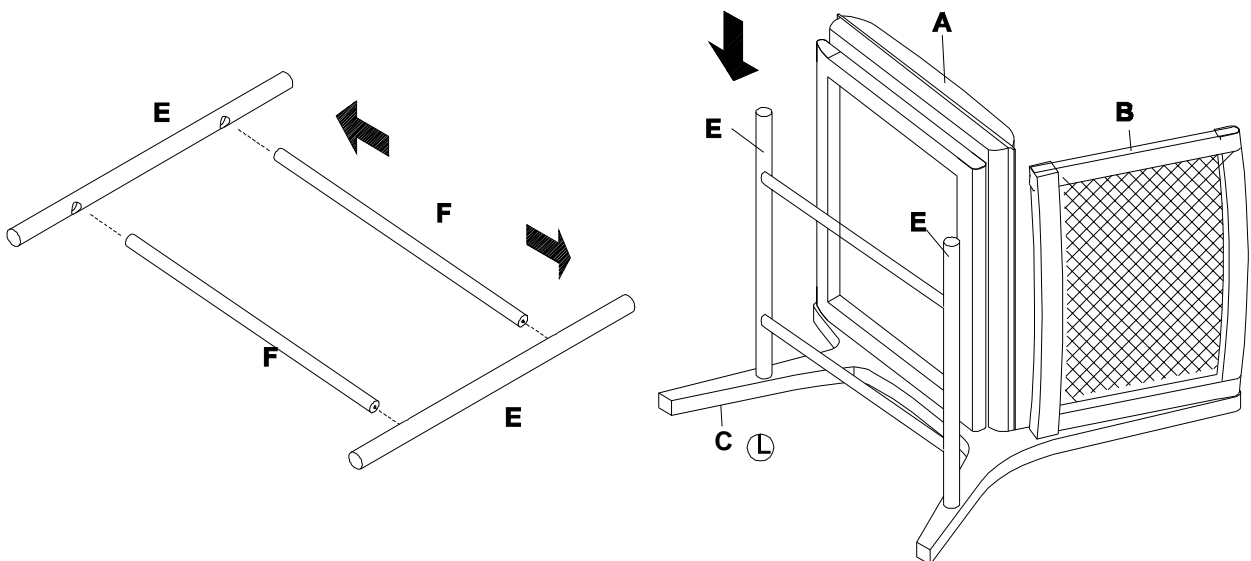
Assembly Procedures:

Step 1. Assemble the chair on a flat, soft surface such as a carpet or cloth to prevent scratching the finish. Attach seat cushion (A) and back frame (B) to the left leg (C) according to the label "L" on the left leg. Securely tighten all bolts with Allen wrench (f).






- (a)x2 Bolts 
- (b)x2 Bolts 
- (c)x4 Lock Washers 
- (d)x2 Big Flat Washers 
- (e)x2 Small Flat Washers 

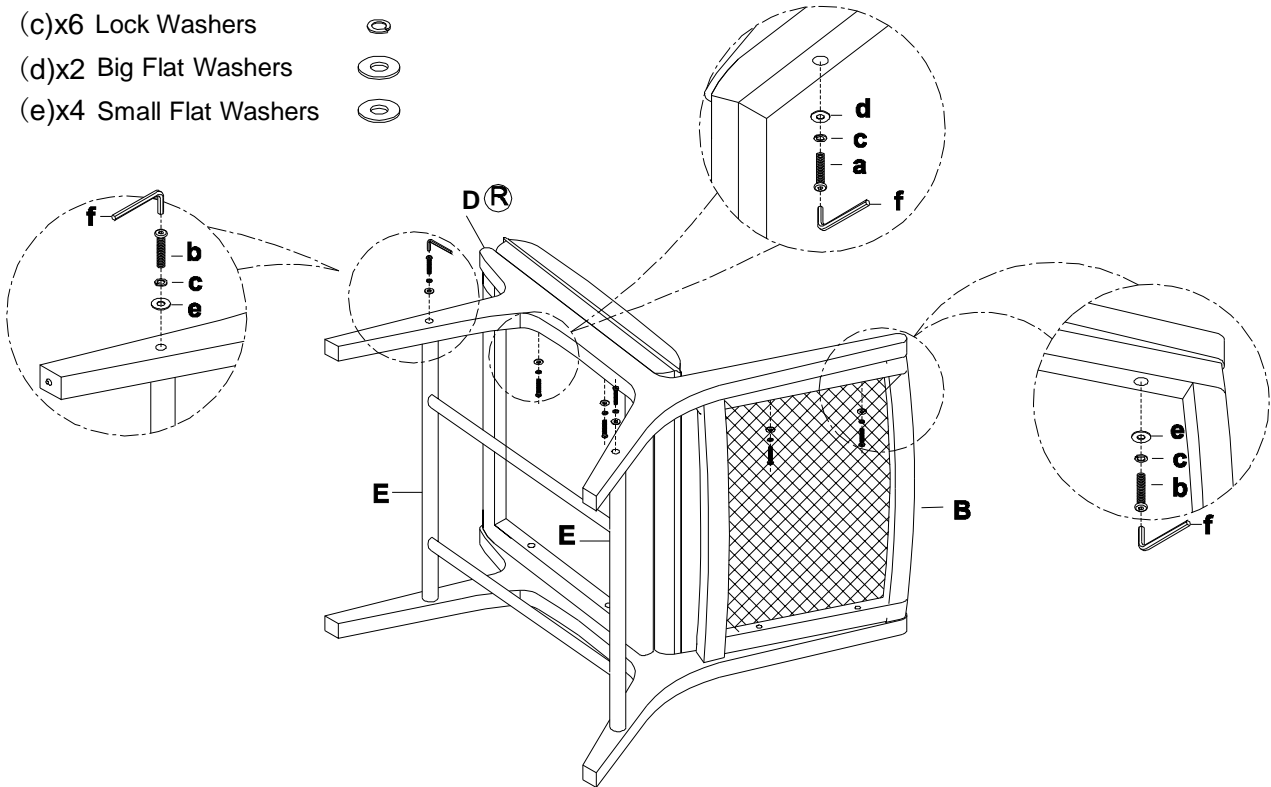


Step 2. Insert stretchers 2 (F) to the holes on the stretchers 1 with two holes (E). then insert the assembled stretcher 1 (E) to the holes of left leg (C).






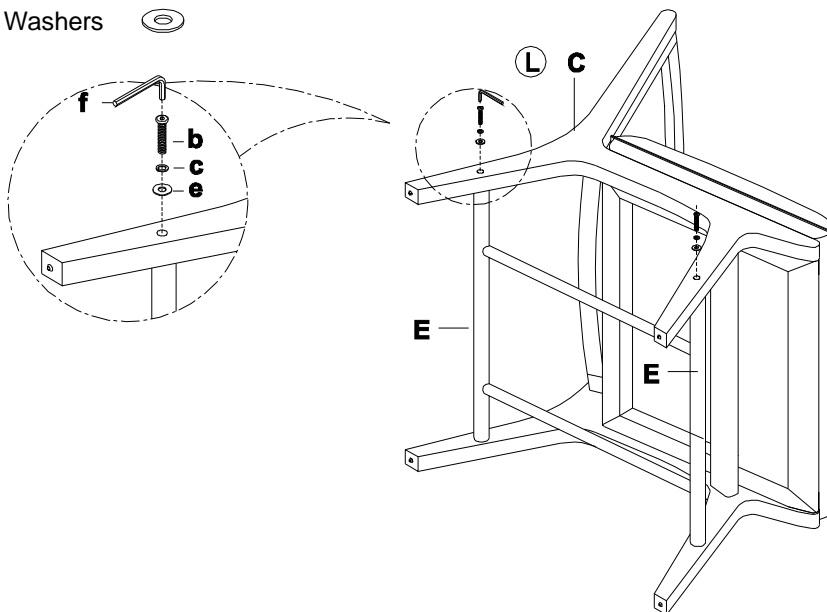
Step 3. Loosely attach right leg (D) to the seat cushion (A), back frame (B) and stretchers 2 (F) according to the label "R" on the right leg as show below. Securely tighten all bolts with Allen wrench (f) .

- (a)x2 Bolts 
- (b)x4 Bolts 
- (c)x6 Lock Washers 
- (d)x2 Big Flat Washers 
- (e)x4 Small Flat Washers 



Step 4. Lay the other right leg (D) on a flat, soft surface such as a carpet or cloth. Then attach the stretcher 1(E) and the stretcher (E) Repeat assembled left leg (C) to stretchers 1 (E) using bolts (b), lock washers (c) and flat washers (e) according to the label "L" on the left leg. Securely tighten all bolts with Allen wrench (f) .

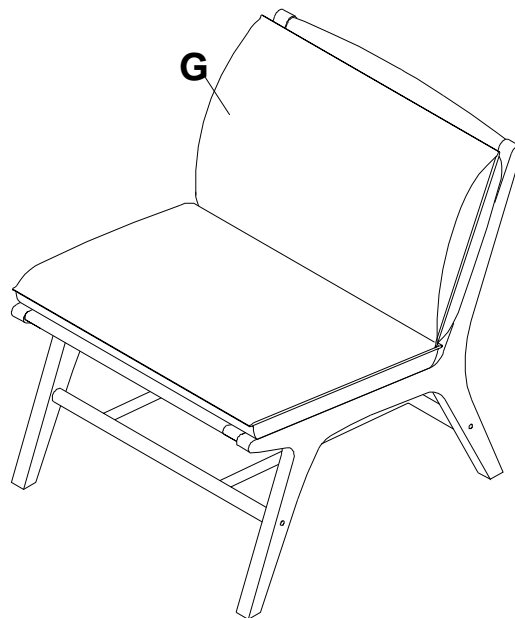
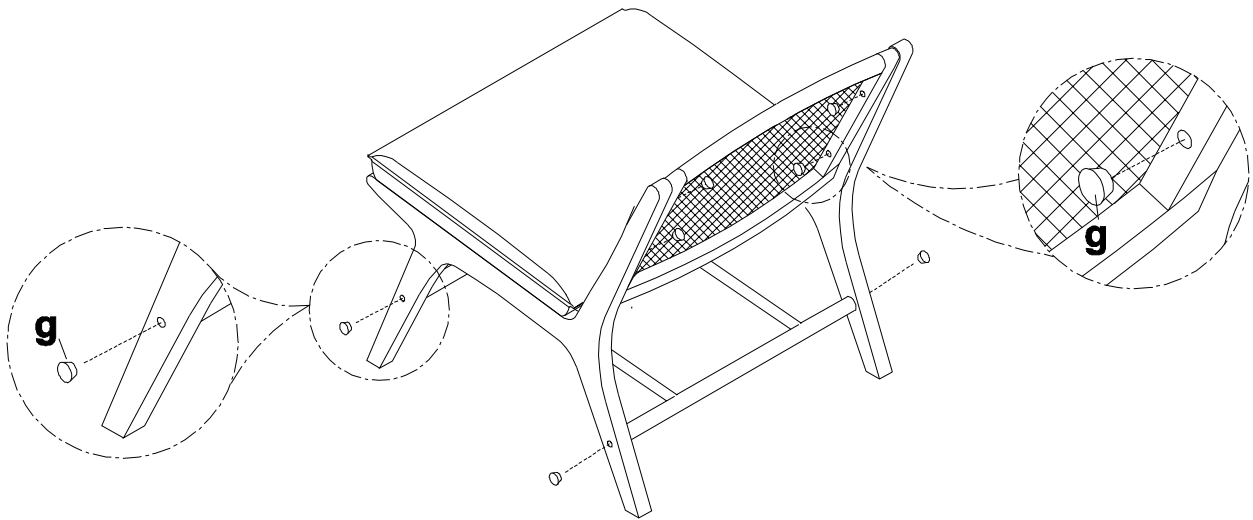
- (b)x2 Bolts 
- (c)x2 Lock Washers 
- (e)x2 Small Flat Washers 



Step 5.

- 1) Turn the assembled chair to an upright position. Securely tighten all the bolts with Allen wrench (f).
- 2) Attach wooden plugs (g) to each bolt hole, tighten with rubber hammer to knock the wooden plug till its tighten.
Note: use a soft cloth between the wooden plug and hammer to prevent damage to wooden plug finish.
- 3) Assembly is complete. Put the back cushion (G) on the assembled lounge.

(g)x8 **Wooden Plugs** 



ADDITIONAL NOTE ABOUT SAFETY: BOLTS MAY LOOSEN DURING NORMAL EVERYDAY USE. THEY SHOULD BE PERIODICALLY INSPECTED AND RE-TIGHTENED TO PREVENT DAMAGE OR INJURY. ALWAYS CHECK TO BE SURE THAT ALL HARDWARE IS KEPT TIGHTENED.

Thank you for your purchase