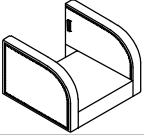
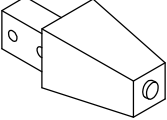
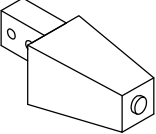
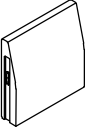
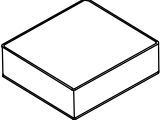
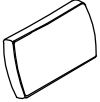




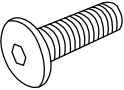


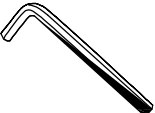
Assembly Instruction
ACCENT CHAIR
ITEM NO.: 9430GY-1

NOTE: Do not use power tools for assembly. Power tools increase the risk of over tightening which leads to splitting or cracking the wood.

PART LIST (CHAIR)

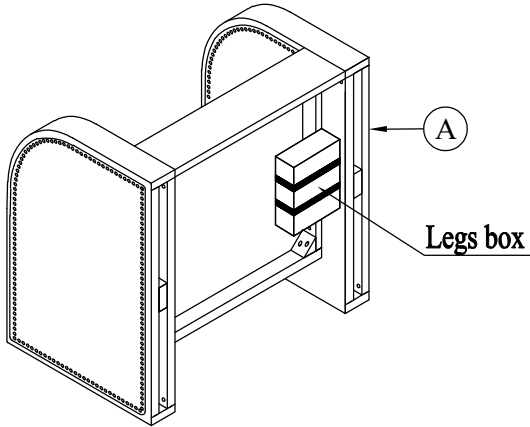
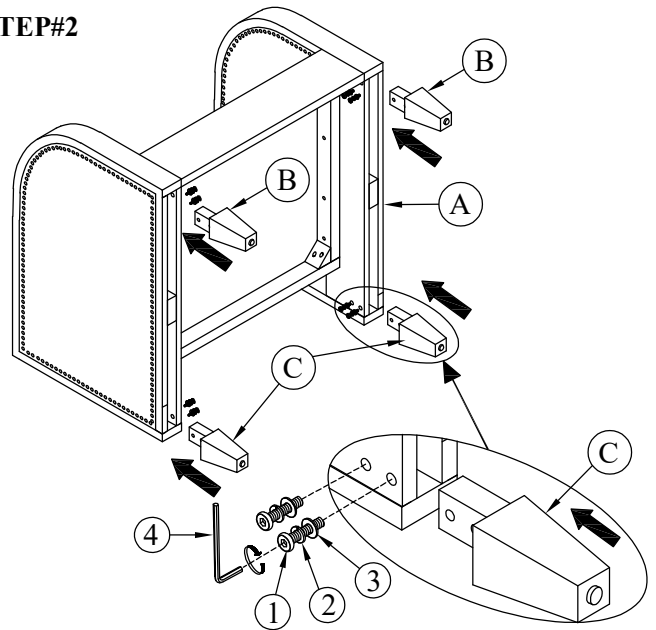
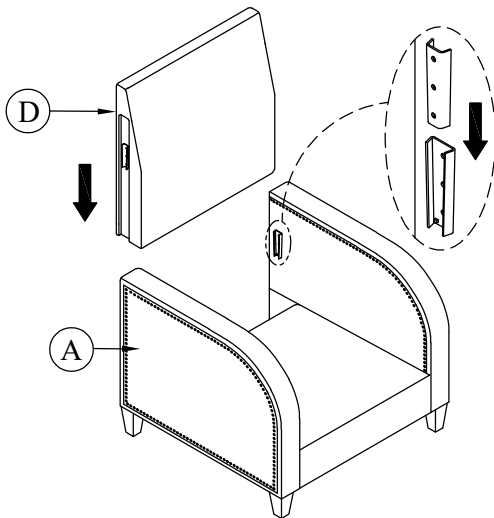
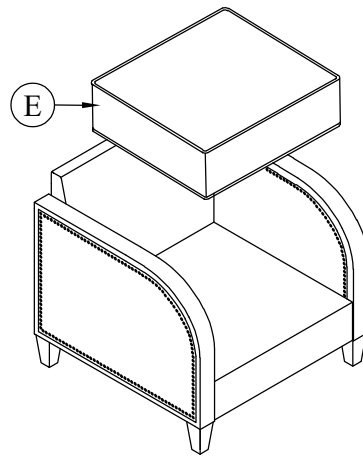
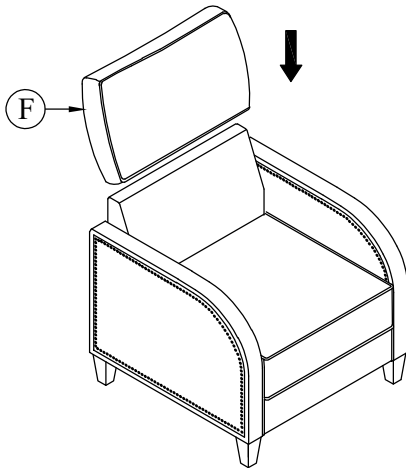
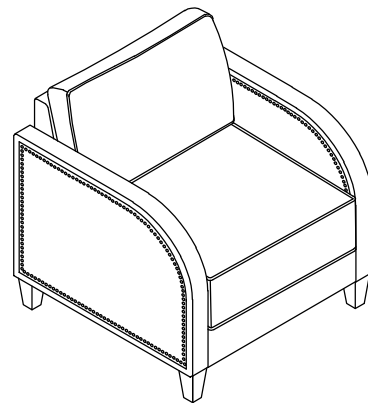
| NO. | DRAWING | QTY | DESCRIPTION |
|-----|---|------|--------------|
| A |  | 1PC | SEAT FRAME |
| B |  | 2PCS | FRONT LEGS |
| C |  | 2PCS | REAR LEGS |
| D |  | 1PC | BACK REST |
| E |  | 1PC | SEAT CUSHION |
| F |  | 1PC | BACK CUSHION |

HARDWARE LIST

| NO. | DRAWING | QTY | DESCRIPTION |
|-----|---|------|-------------|
| 1 |  | 8PCS | BOLT |
| 2 |  | 8PCS | LOCK WASHER |
| 3 |  | 8PCS | FLAT WASHER |
| 4 |  | 1PC | ALLEN KEY |

STEP#1

Legs and hardware are packed in a small box and stored in the bottom of the chair, please take out for assembly.

**STEP#2****STEP#3****STEP#4****STEP#5****STEP#6
Completed****CARE INSTRUCTION FOR FABRIC:**

In order to maintain the original appearance of your fabric furniture, please follow below simple care procedure :

- Avoid exposing furniture directly to sunlight or heating and air conditioning outlets. Exposure to sunlight or heating and air conditioning outlets will fade/damage fabric.
- Wipe gently with a damp soft cloth to remove dust, dirt and any grime build up.



It is recommended to install protective pads under all legs and supports to avoid damage or scratches when placing furniture on a wood floor or other hard surface, and to limit indentation and prevent discoloration if placing on carpet.

PLEASE KEEP ASSEMBLY INSTRUCTION FOR FUTURE REFERENCE