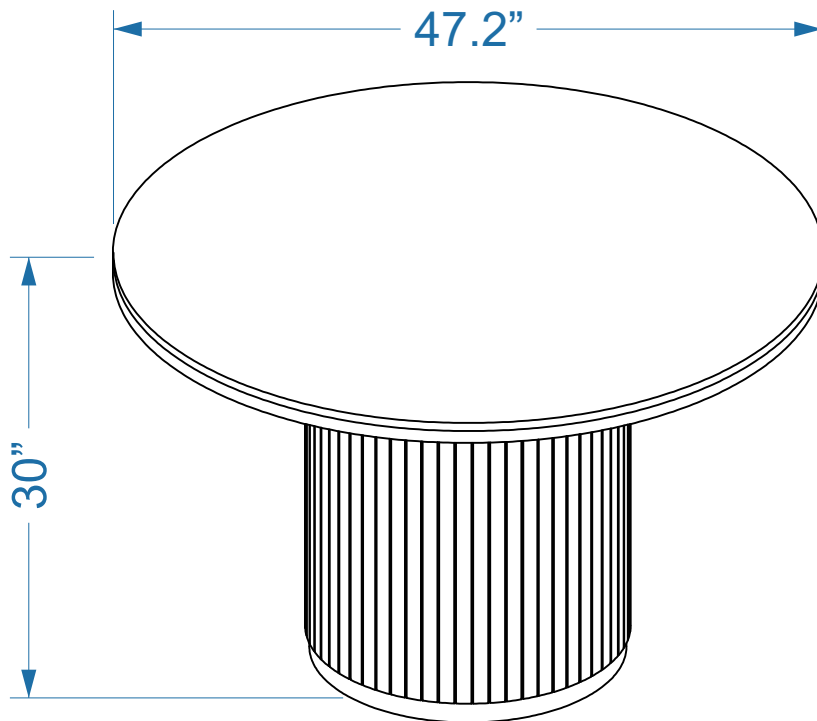


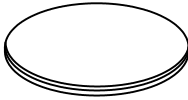


CHELSEA ROUND DINING TABLE

CHELSEA


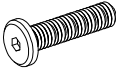

ASSEMBLY INSTRUCTIONS



PARTS LIST

LABEL	PICTURE	DESCRIPTION	QTY
A		TOP	1
B		CONNECTION PIECE	1
C		LEG	1

HARDWARE

LABEL	PICTURE	DESCRIPTION	QTY
D		WASHER Ø8/19xH1.5mm	8
E		SCREW M8x30	8
F		WRENCH M4x60	1

BEFORE BEGINNING ASSEMBLY:



Read instructions cover to cover



Have two adults on hand for assembly



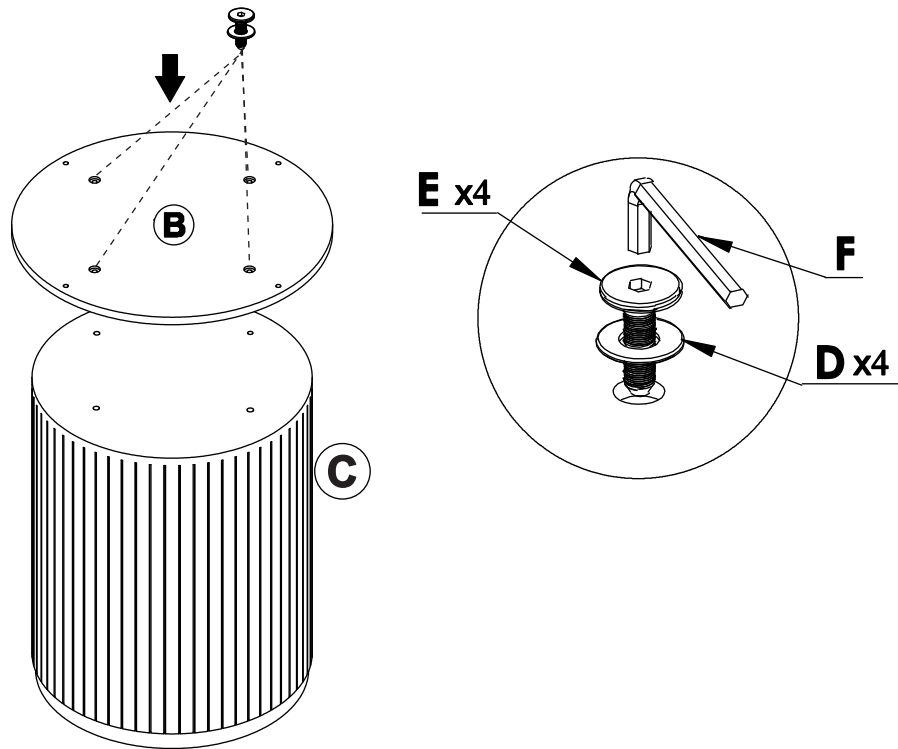
Do NOT assemble on flooring or carpet. Assemble on a clean non-marring surface (ex: packing foam)



Save all packaging until assembly is completed

ASSEMBLY STEPS

STEP#1



STEP#2

