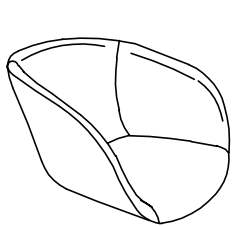
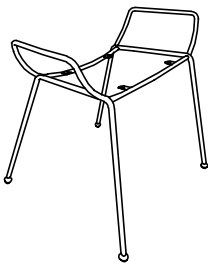


## Assembly Instructions ZACH Arm Chair

PLEASE NOTE: Check that you have received all components and hardware before assembling. If you are missing any parts, contact your retailer.



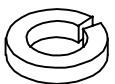
A (1 pc)



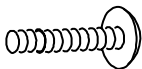
B (1 pc)



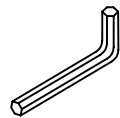
C (4 pcs)



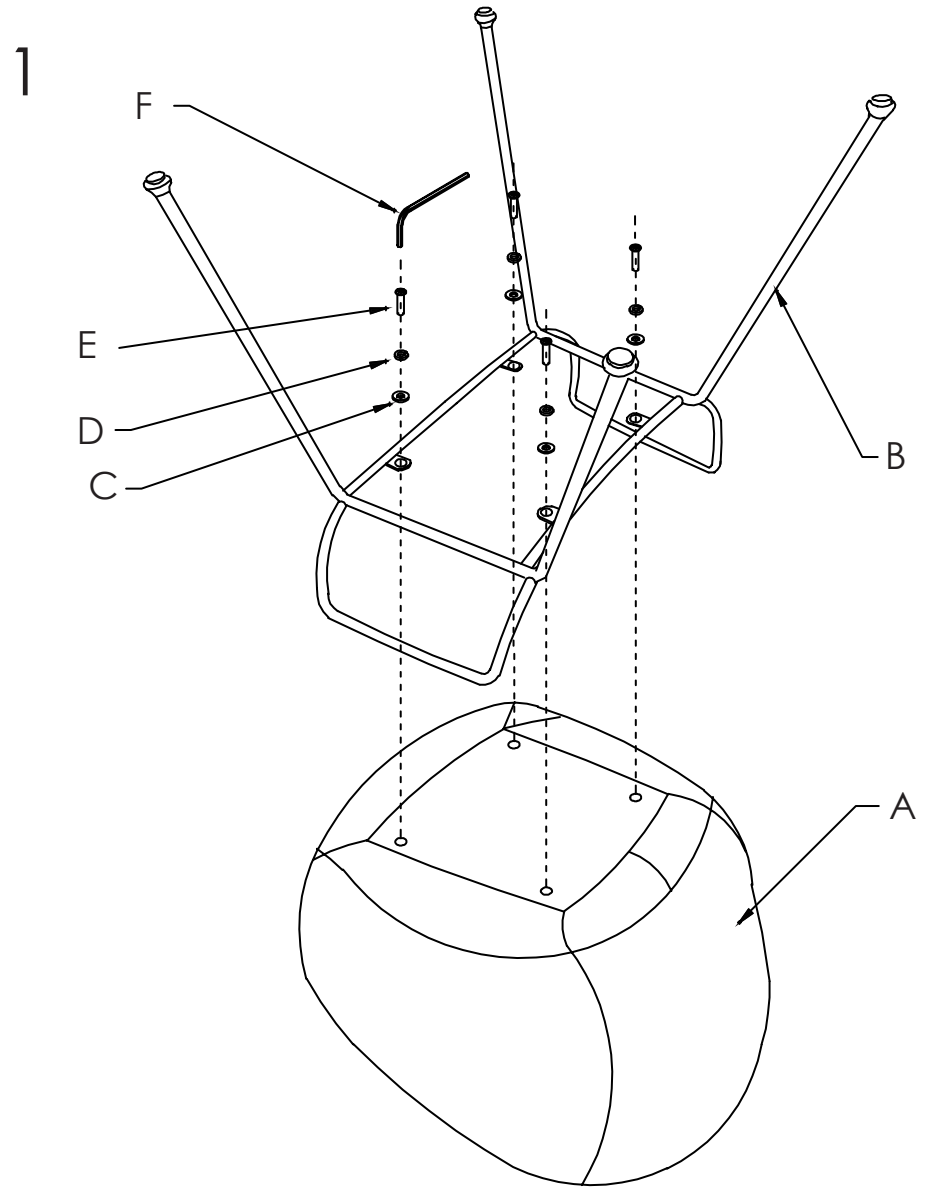
D (4 pcs)



E (4 pcs)  
M6-1 x 15mm



F (1 pc)



During assembly, hand tighten screws only. When the screws are in place, tighten completely.