



LIVING SPACES

ASSEMBLY INSTRUCTIONS

ITEM 305-P319240

TABLE

Thank you for purchasing this quality product. Be sure to check all packing material carefully for small hardware which may have come loose inside the carton during shipment. Identify and count all hardware and compare with the hardware list below.

When placing furniture on non-carpeted flooring, HMI recommends the use of floor protection such as an area rug or furniture pads. Area rugs and padding not included with purchase.

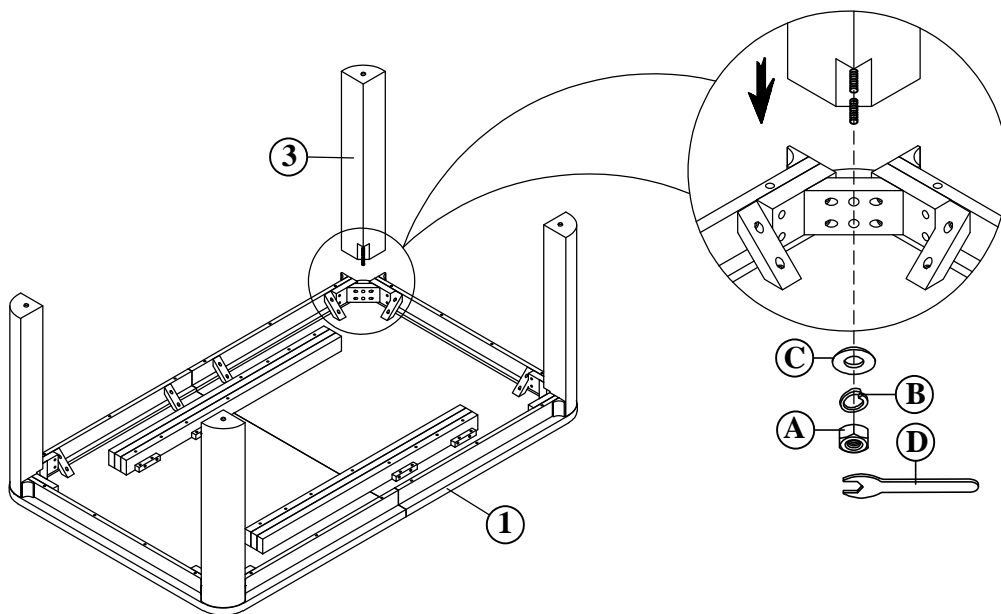
PARTS LIST

No.	Description	Sketch	Quantity
1	Table Top		1
2	Table Leaf		1
2	Table Leg		4

HARDWARE LIST

No.	Description	Sketch	Size	Quantity
A	Nut		Ø5/16" x 1/2"	8
B	Lock washer		Ø5/16"	8
C	Flat washer		Ø5/16" x 3/4"	8
D	Wrench		Ø5/16"	1

STEP 1





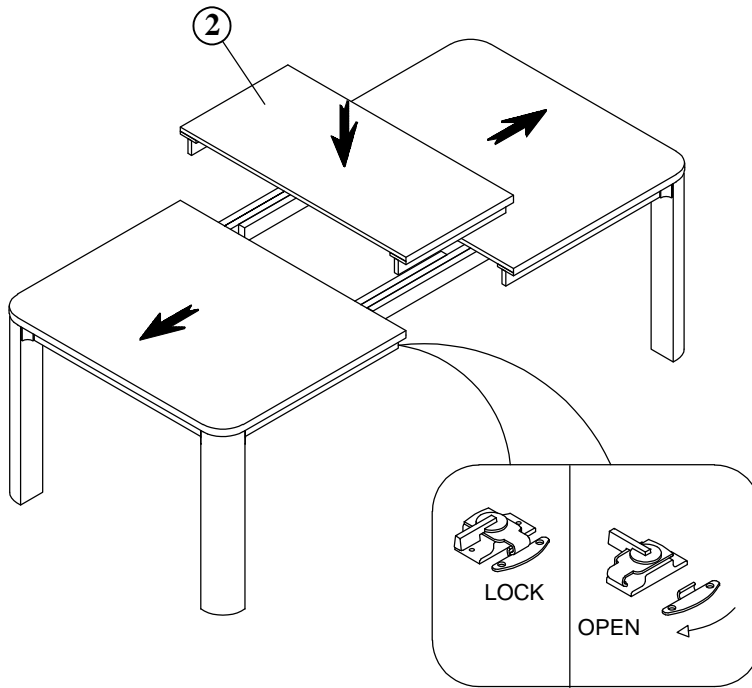
LIVINGS PACES

ASSEMBLY INSTRUCTIONS

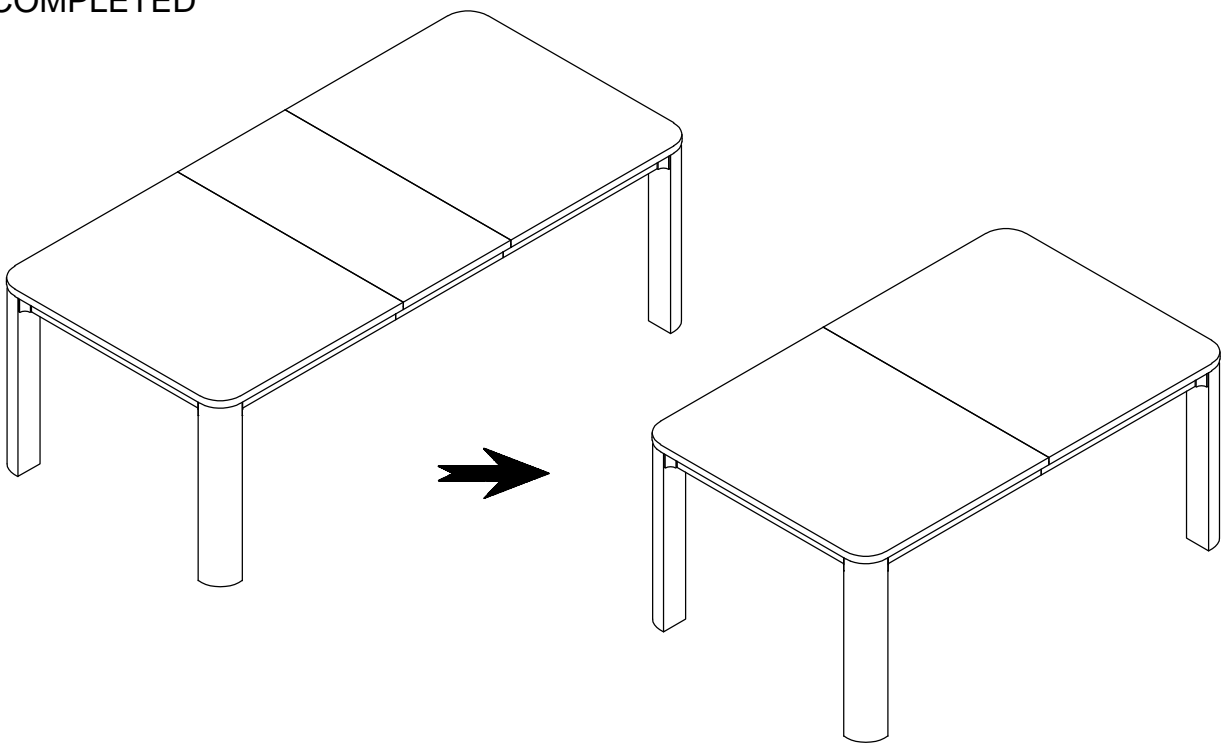
ITEM 305-P319240

TABLE

STEP 2



COMPLETED



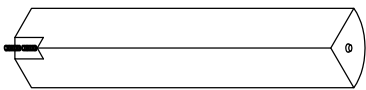
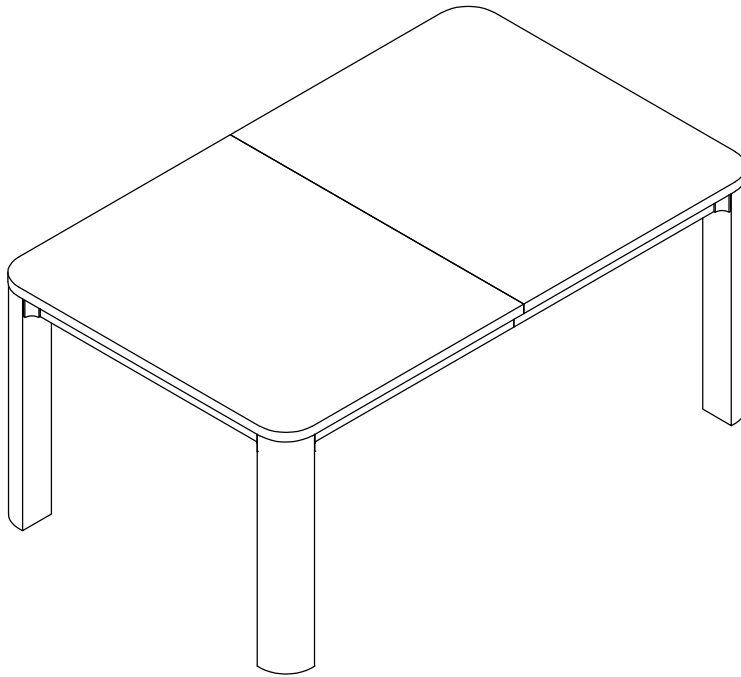


LIVINGS P A C E S

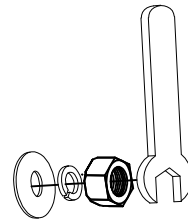
ASSEMBLY INSTRUCTIONS

ITEM 305-P319240

TABLE



x4 RP319240-LEG-Table Leg



x1 RP319240-HWKIT-Hardware kit