



# ASSEMBLY INSTRUCTIONS COASTER FINE FURNITURE



*Fine Furniture for every stage of life*

## 200409Q(B1-B3) Queen Storage Bed

REVISION 0 : 02/13/2007  
REVISION 1 : 11/20/2012  
REVISION 2 : 01/29/2018  
REVISION 3 : 08/28/2018  
REVISION 4 : 11/11/2019  
REVISION 5 : 08/07/2020

PAGE 1 OF 9

COASTERFURNITURE.COM

# ITEM: 200409Q(B1-B3)



## ASSEMBLY INSTRUCTIONS

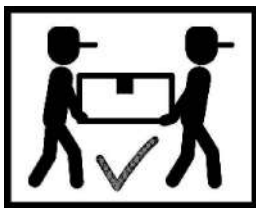
### ASSEMBLY TIPS:

1. Remove hardware from box and sort by size.
2. Please check to see that all hardware and parts are present prior to start of assembly.
3. Please follow attached instructions in the same sequence as numbered to assure fast & easy assembly.



### WARNING!

1. Don't attempt to repair or modify parts that are broken or defective. Please contact the store immediately.
2. This product is for home use only and not intended for commercial establishments.



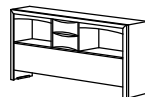
ASSEMBLY TIME

50 MINUTES

## PARTS IDENTIFICATION

### B1 (BOX 1)

1 HEADBOARD PANEL



1PC

2L LEFT HEADBOARD LEG



1PC

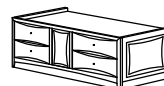
2R RIGHT HEADBOARD LEG



1PC

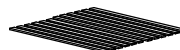
### B2 (BOX 2)

5 STORAGE FOOTBOARD



1PC

6 ROLL SLAT (12PCS)



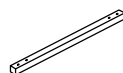
1SET

7 BOTTOM TRESTLE BAR



1PC

8 CENTER RAIL



1PC

9 CENTER RAIL SUPPORT WITH LEVELER



2PCS

10 CROSSBAR



1PC

# ITEM: 200409Q(B1-B3)



## ASSEMBLY INSTRUCTIONS

### ASSEMBLY TIPS:

1. Remove hardware from box and sort by size.
2. Please check to see that all hardware and parts are present prior to start of assembly.
3. Please follow attached instructions in the same sequence as numbered to assure fast & easy assembly.



### WARNING!

1. Don't attempt to repair or modify parts that are broken or defective. Please contact the store immediately.
2. This product is for home use only and not intended for commercial establishments.

### B3 (BOX 3)

3L LEFT SIDE PANEL



1PC

3R RIGHT SIDE PANEL



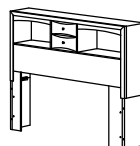
1PC

4 CENTER BOARD



2PCS

HB 200409Q (B1)  
FROM BOX 1  
HEADBOARD COMPLETE



1PC

5 200409Q (B2)  
FROM BOX 2  
STORAGE FOOTBOARD



1PC

# ITEM: 200409Q(B1-B3)



## ASSEMBLY INSTRUCTIONS

### ASSEMBLY TIPS:

1. Remove hardware from box and sort by size.
2. Please check to see that all hardware and parts are present prior to start of assembly.
3. Please follow attached instructions in the same sequence as numbered to assure fast & easy assembly.


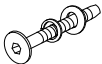
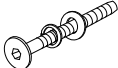






### WARNING!

1. Don't attempt to repair or modify parts that are broken or defective. Please contact the store immediately.
2. This product is for home use only and not intended for commercial establishments.

## HARDWARE IDENTIFICATION

### Z-B1 (BOX 1) - HARDWARE PACK IS LOCATED IN 200409Q(B1)

A	<b>ALLEN WRENCH</b> (M4 x 110mm - BLK)		1PC
B	<b>SHORT BOLT WITH WASHER</b> (M6 x 60mm - BLK)		10PCS
C	<b>LONG BOLT WITH WASHER</b> (M6 x 80mm - BLK)		8PCS
D	<b>WOOD DOWEL</b> (M8 x 30mm)		12PCS
E	<b>LONG FLAT HEAD SCREW</b> (M4 x 32mm - BLK)		26PCS
F	<b>SHORT FLAT HEAD SCREW</b> (M4 x 16mm - BLK)		6PCS
G	<b>SHORT BOLT</b> (M6 x 60mm - BLK)		2PCS

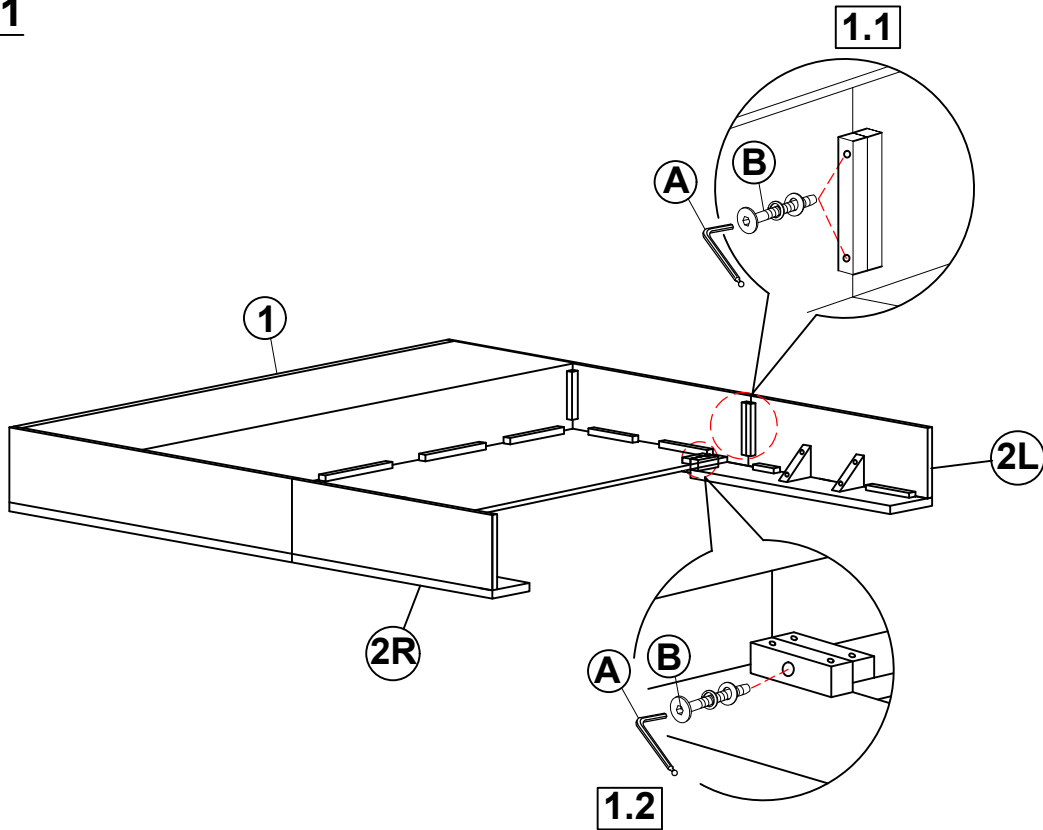
### NOTE:

Phillips head screw driver is required in the assembly process; however, manufacturer does not provide this item.

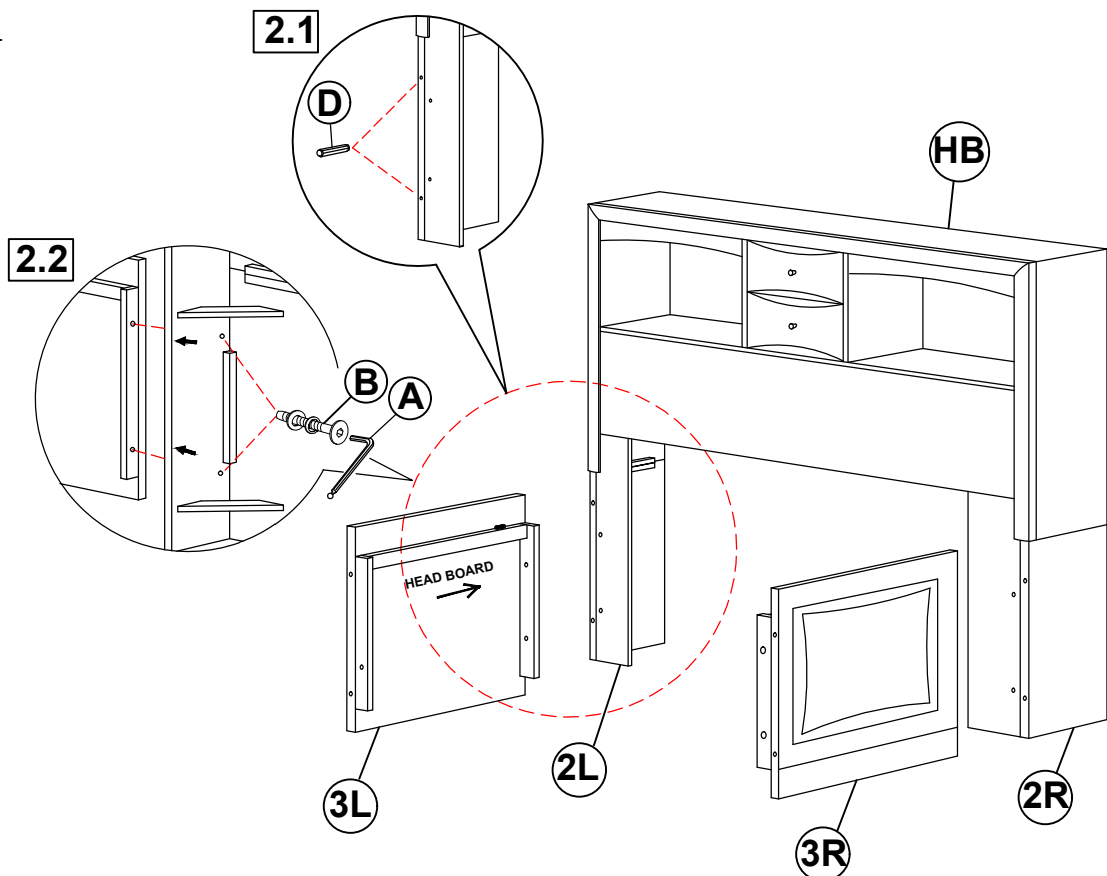
# ITEM: 200409Q(B1-B3)



## ASSEMBLY INSTRUCTIONS STEP 1



## STEP 2

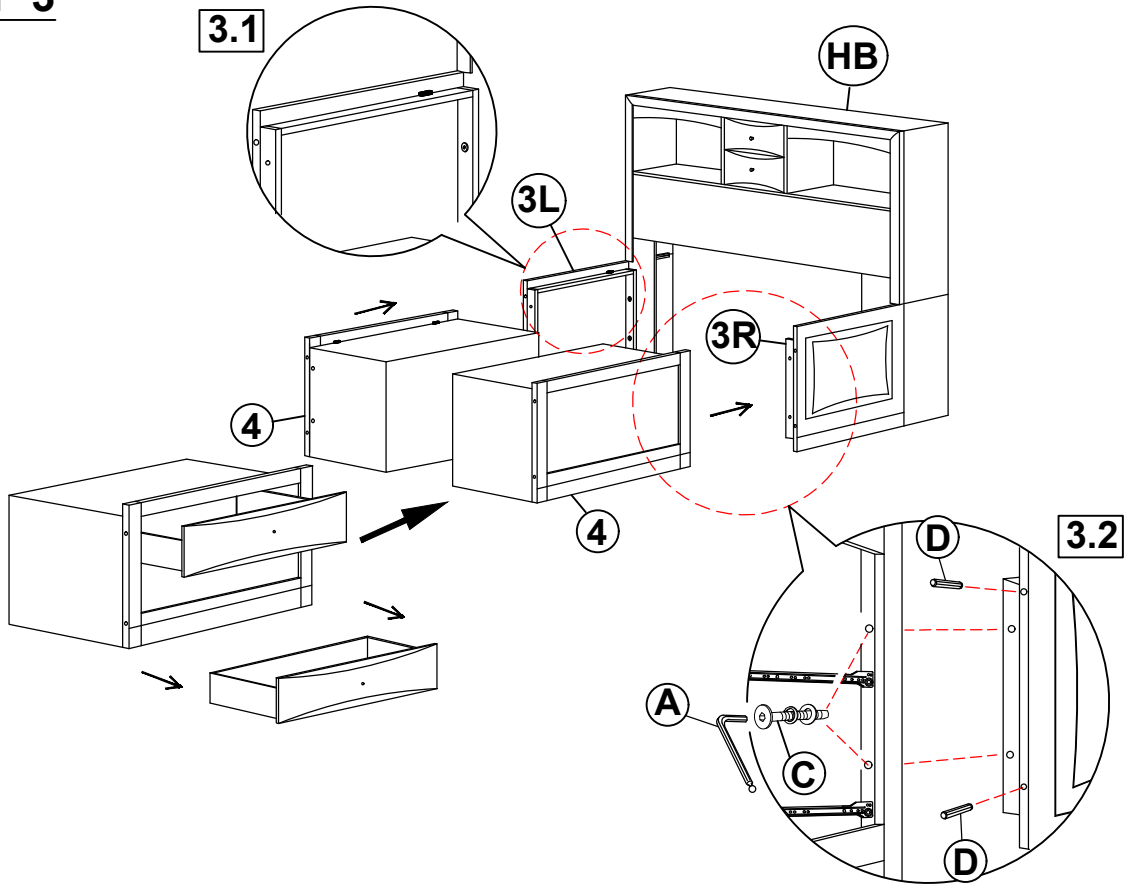


# ITEM: 200409Q(B1-B3)

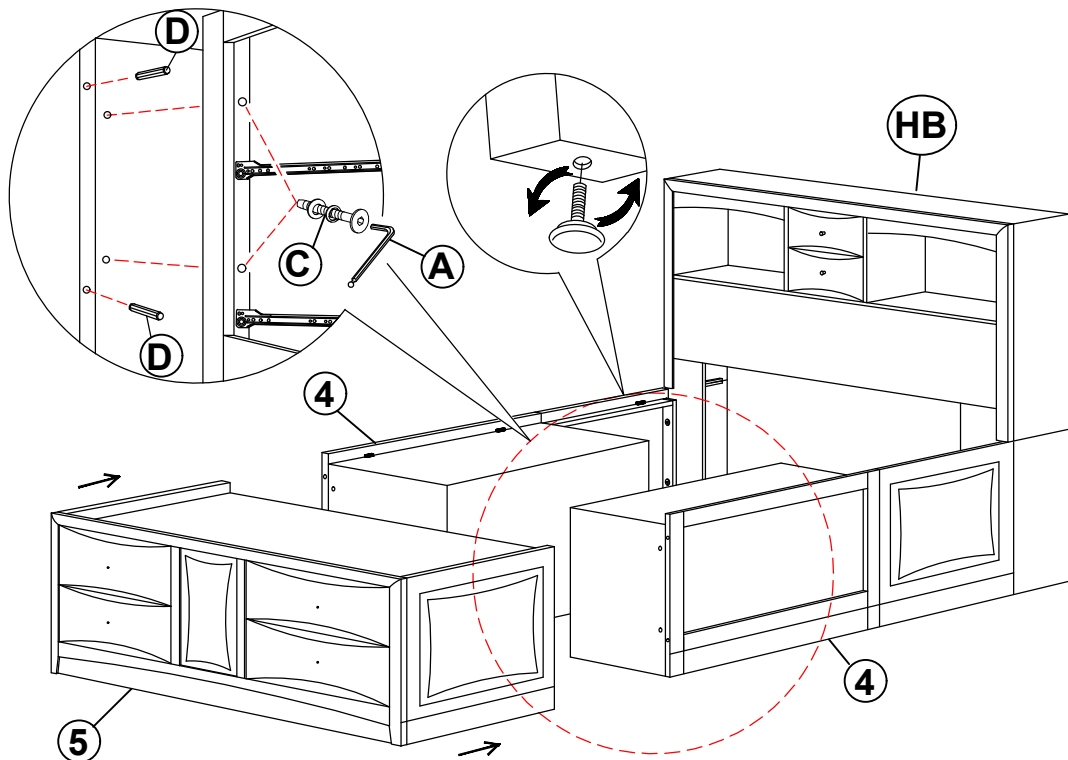


## ASSEMBLY INSTRUCTIONS

### STEP 3



### STEP 4

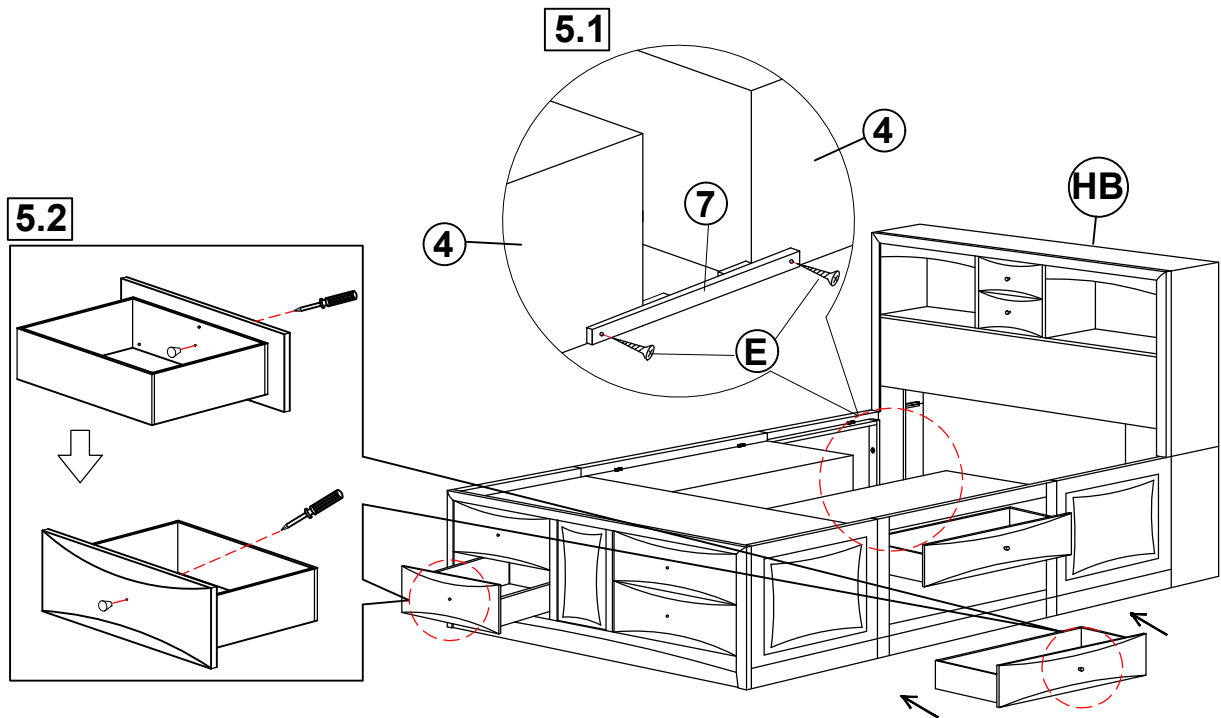


# ITEM: 200409Q(B1-B3)

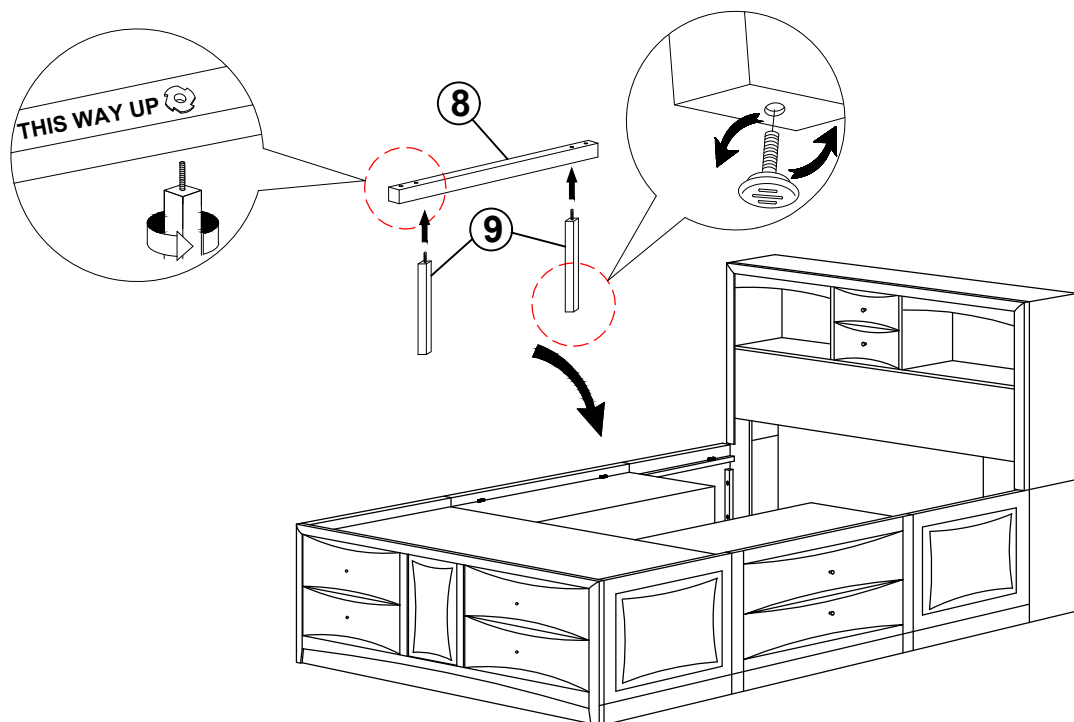


## ASSEMBLY INSTRUCTIONS

### STEP 5



### STEP 6

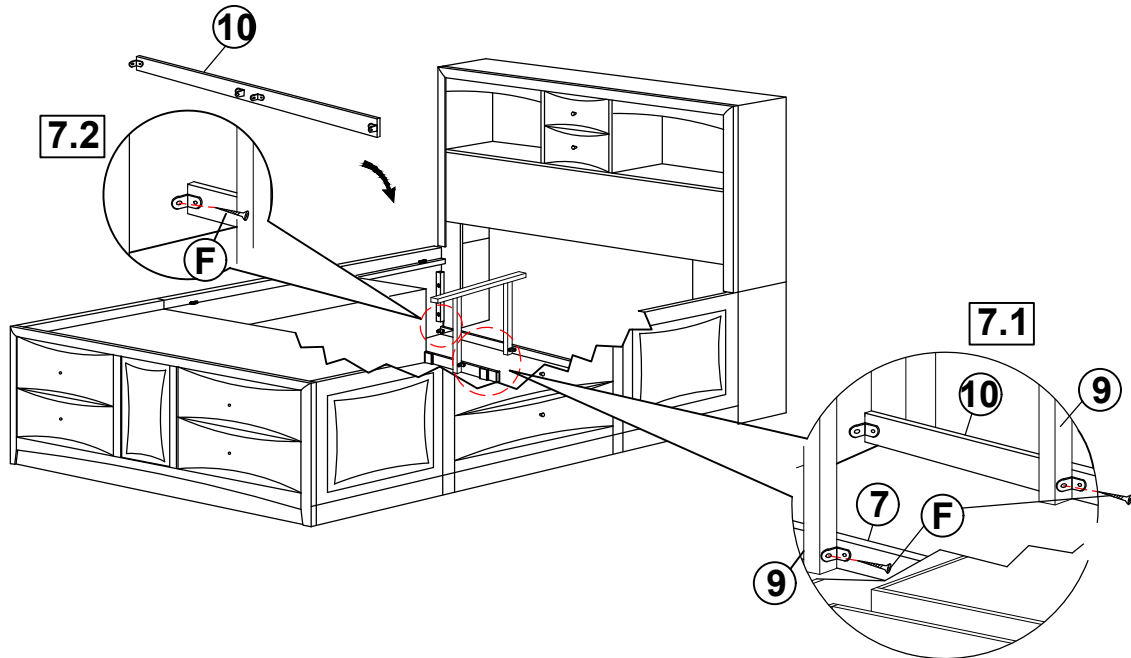


# ITEM: 200409Q(B1-B3)

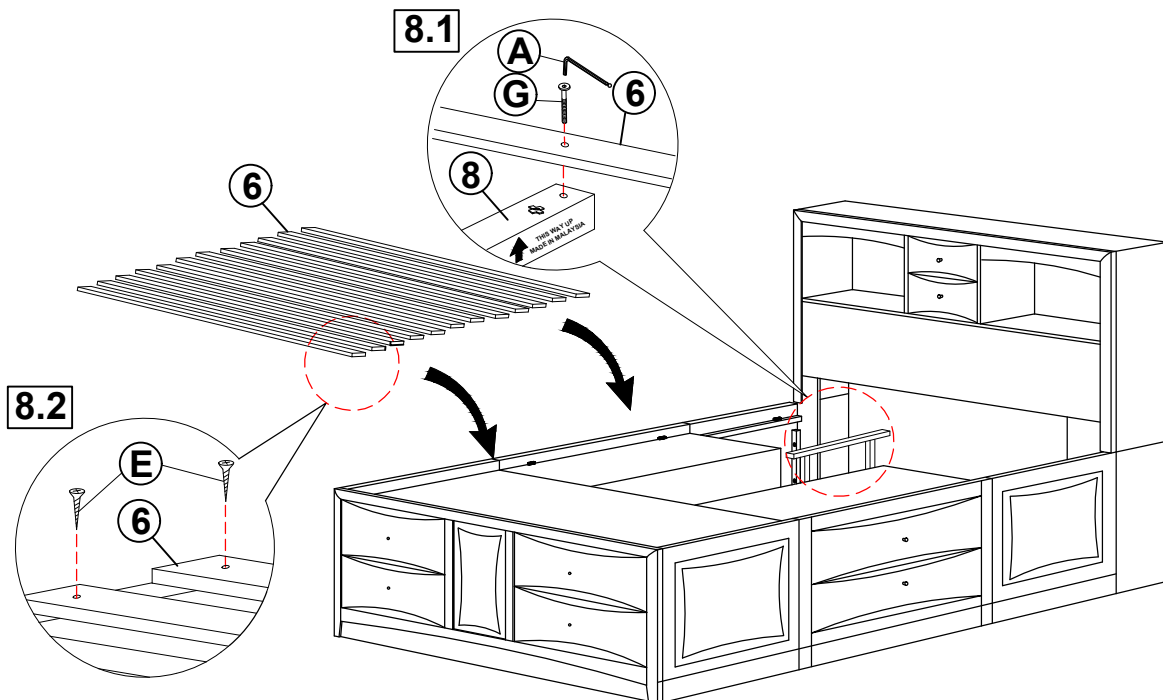


## ASSEMBLY INSTRUCTIONS

### STEP 7



### STEP 8

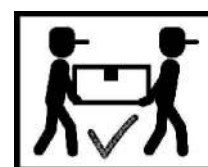
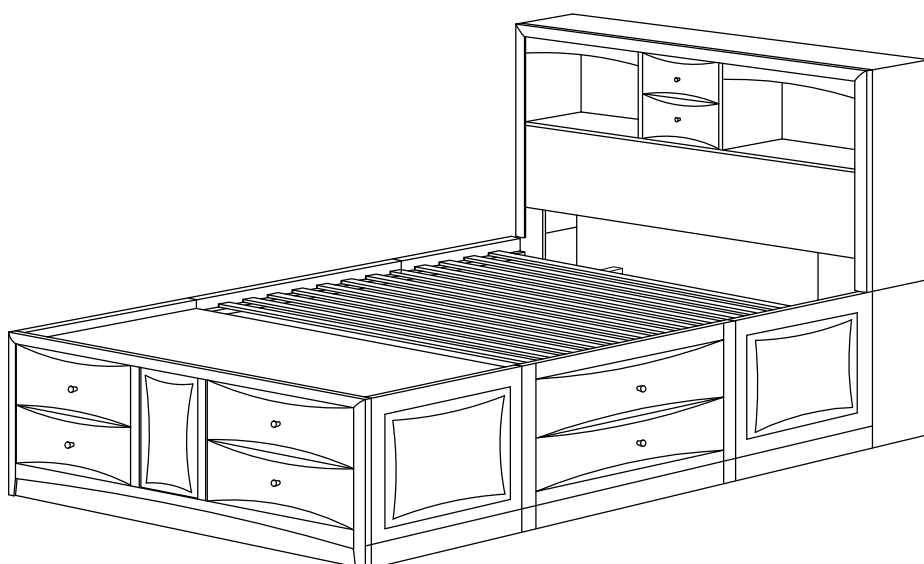




ITEM: **200409Q(B1-B3)**



**STEP 9**  
**COMPLETE**



# ITEM: 200409Q(B1-B3)

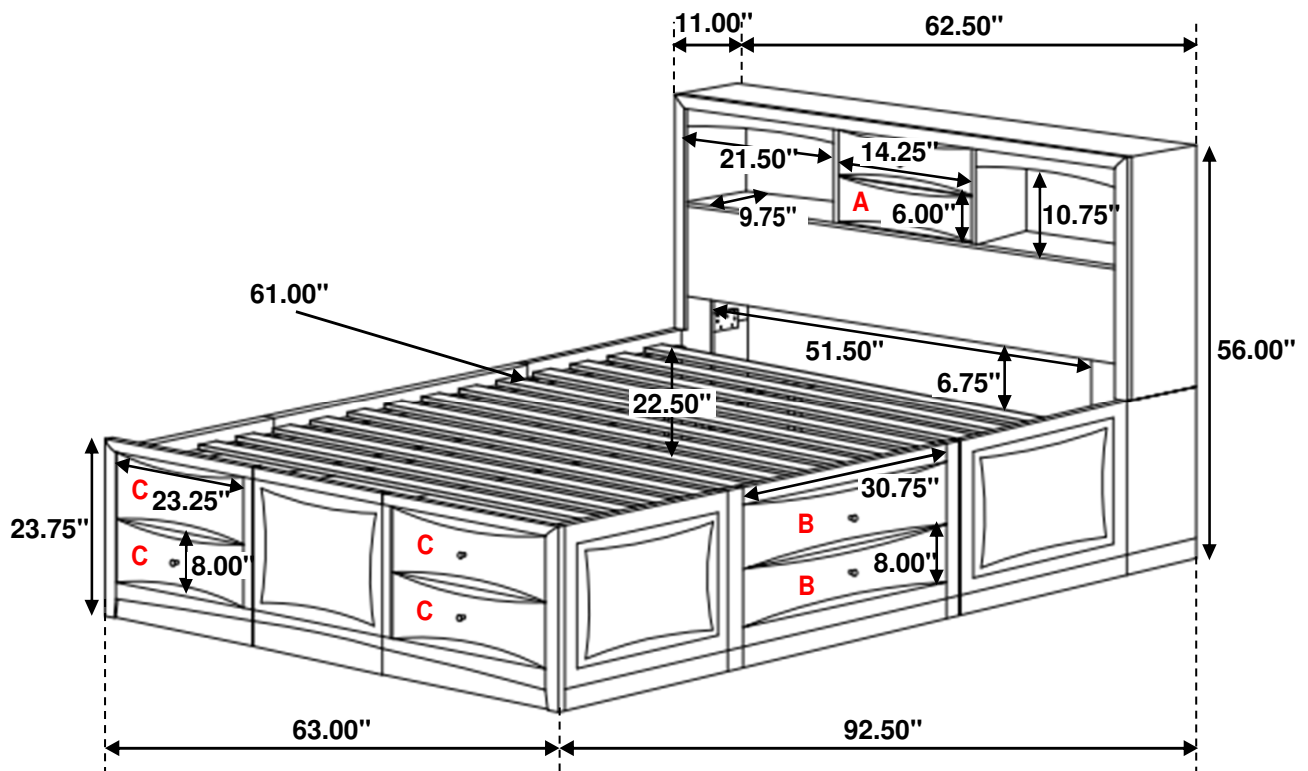


Inner Size : 61.00"W X 81.00"D

Inner Size of Drawer A : 12.50"W X 8.25"D X 4.00"H X 0.50"T

Inner Size of Drawer B : 29.25"W X 15.00"D X 5.75"H X 0.50"T

Inner Size of Drawer C : 21.75"W X 15.00"D X 5.75"H X 0.50"T



Note : Dimension tolerance  $\pm 5\%$