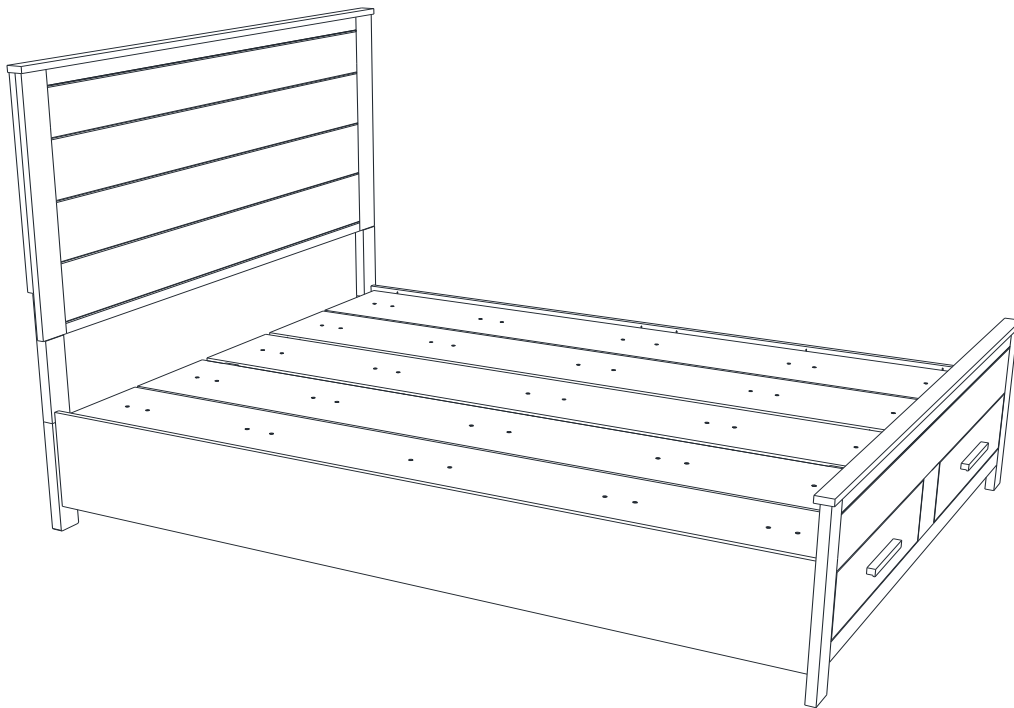


**ASSEMBLY INSTRUCTIONS**  
**COASTER FINE FURNITURE**



*Fine Furniture for every stage of life*

**222631Q (B1-B3)**  
**Queen Storage Bed**

# ITEM: 222631Q (B1-B3)

## ASSEMBLY INSTRUCTIONS

### ASSEMBLY TIPS:

1. Remove hardware from box and sort by size.
2. Please check to see that all hardware and parts are present prior to start of assembly.
3. Please follow attached instructions in the same sequence as numbered to assure fast & easy assembly.



### WARNING!

1. Don't attempt to repair or modify parts that are broken or defective. Please contact the store immediately.
2. This product is for home use only and not intended for commercial establishments.


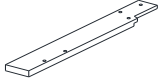
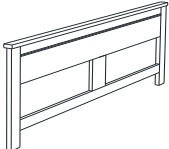
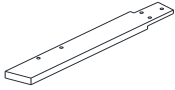


ASSEMBLY TIME

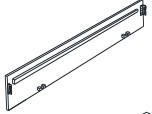
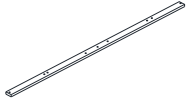
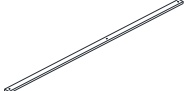

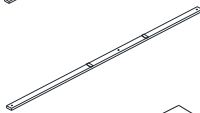


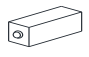
20 MINUTES

## PARTS IDENTIFICATION

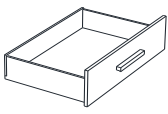
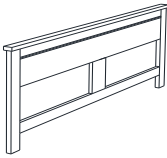
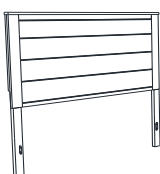
### B1 ( BOX 1 )

<p><b>A</b> HEADBOARD PANEL</p>	 1PC	<p><b>C</b> RIGHT HEADBOARD LEG</p>	 1PC
<p><b>B</b> FOOTBOARD FRAME</p>	 1PC	<p><b>D</b> LEFT HEADBOARD LEG</p>	 1PC

### B2 ( BOX 2 )

<p><b>E</b> BED RAIL</p>	 2PCS	<p><b>I</b> DRAWER BOTTOM TRESTLE BAR</p>	 1PC
<p><b>F</b> BED SLAT</p>	 3PCS	<p><b>J</b> DRAWER SUPPORT RAIL</p>	 2PCS
<p><b>G</b> BED SLAT WITH MARKING</p>	 2PCS	<p><b>K</b> BED SLAT SUPPORT WITH LEVELER</p>	 5PCS
<p><b>H</b> CONCEAL PANEL</p>	 5PCS	<p><b>L</b> SUPPORT LEG WITH LEVELER</p>	 1PC

### B3 ( BOX 3 )

<p><b>M</b> DRAWER BOX</p>	 2PCS	<p><b>B</b> 222631Q(B1) FROM BOX 1 FOOTBOARD FRAME</p>	 1PC
<p><b>HB</b> 222631Q(B1) FROM BOX 1 HEADBOARD COMPLETE</p>	 1PC		

# ITEM: 222631Q (B1-B3)

## ASSEMBLY INSTRUCTIONS

### ASSEMBLY TIPS:

1. Remove hardware from box and sort by size.
2. Please check to see that all hardware and parts are present prior to start of assembly.
3. Please follow attached instructions in the same sequence as numbered to assure fast & easy assembly.







### WARNING!





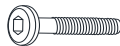



1. Don't attempt to repair or modify parts that are broken or defective. Please contact the store immediately.
2. This product is for home use only and not intended for commercial establishments.

## HARDWARE IDENTIFICATION

### Z-B1 (BOX 1) - HARDWARE PACK IS LOCATED IN 222631Q (B1)

1	<b>BOLT</b> (M6 x 30mm - BLK)		6PCS	3	<b>FLAT WASHER</b> (1/4" ID x 13mm - BLK)		6PCS
2	<b>LOCK WASHER</b> (1/4" - BLK)		6PCS	4	<b>ALLEN WRENCH</b> (M4 x 60mm - BLK)		1PC

### Z-B2 (BOX 2) - HARDWARE PACK IS LOCATED IN 222631Q (B2)

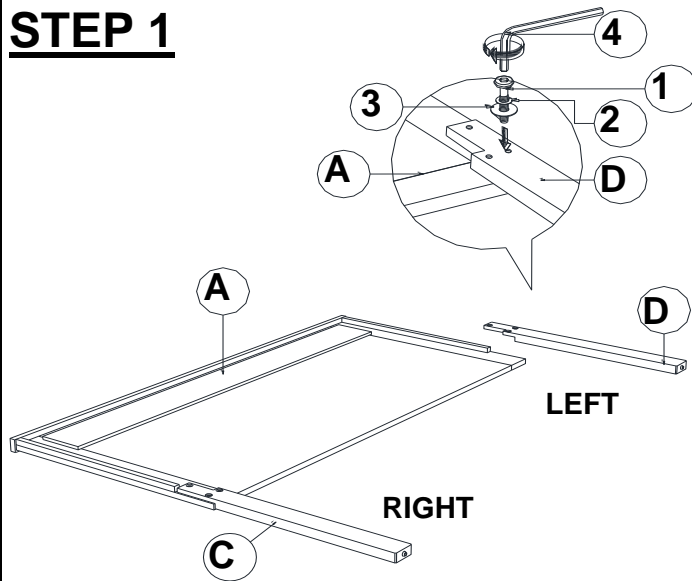
5	<b>FLAT HEAD SCREW</b> (M4 x 32mm - RBW)		14PCS	9	<b>LOCK WASHER</b> (1/4" - BLK)		2PCS
6	<b>PAN HEAD SCREW</b> (M3.5 x 20mm - BLK)		25PCS	10	<b>FLAT WASHER</b> (1/4" ID x 13mm - BLK)		2PCS
7	<b>SHORT BOLT</b> (M6 x 35mm - BLK)		2PCS	11	<b>SMALL ALLEN WRENCH</b> (M4 x 60mm - BLK)		1PC
8	<b>LONG BOLT</b> (M6 x 50mm - BLK)		6PCS	12	<b>BIG ALLEN WRENCH</b> (M5 x 65mm - BLK)		1PC

### NOTE:

Phillips head screw driver is required in the assembly process; however, manufacturer does not provide this item.

**ASSEMBLY INSTRUCTIONS**

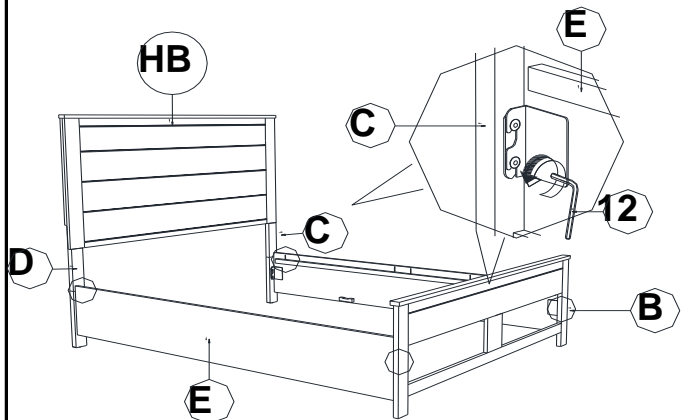
**STEP 1**



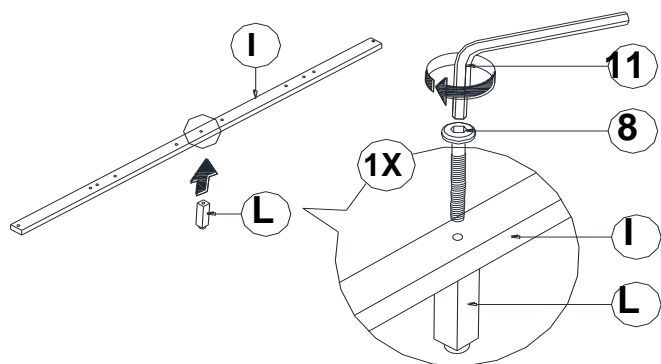
**\*\*BACK VIEW\*\***

Note : Please take note of the marking sticker (L&R) on the leg.

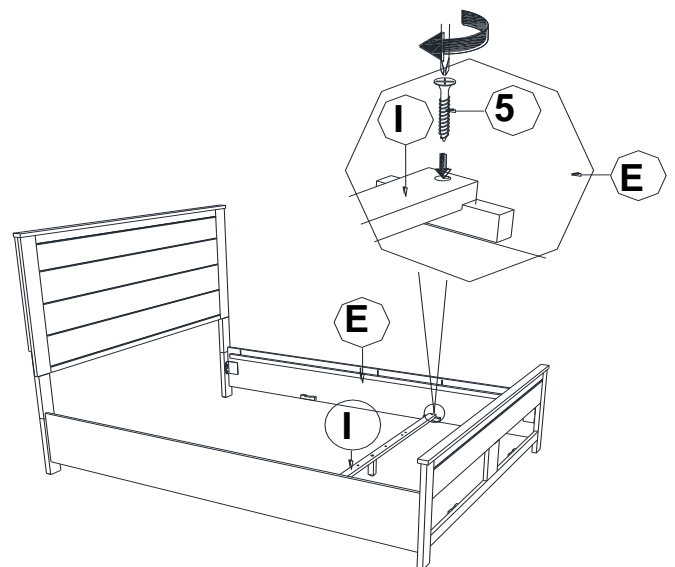
**STEP 2**



**STEP 3**

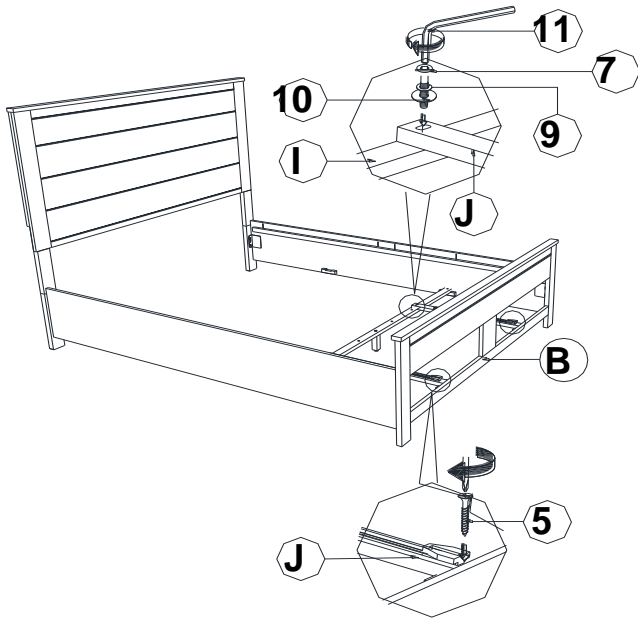


**STEP 4**

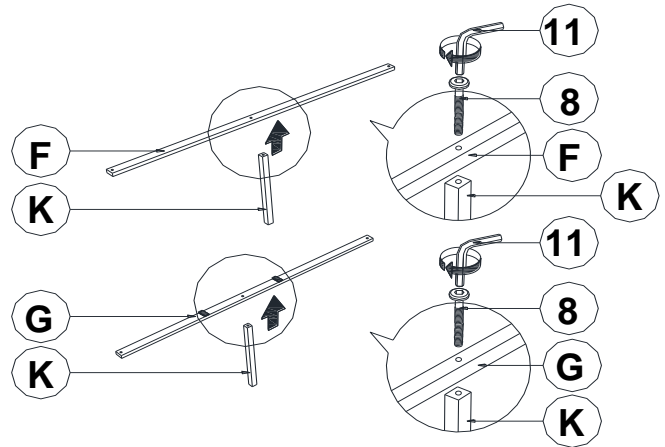


**ASSEMBLY INSTRUCTIONS**

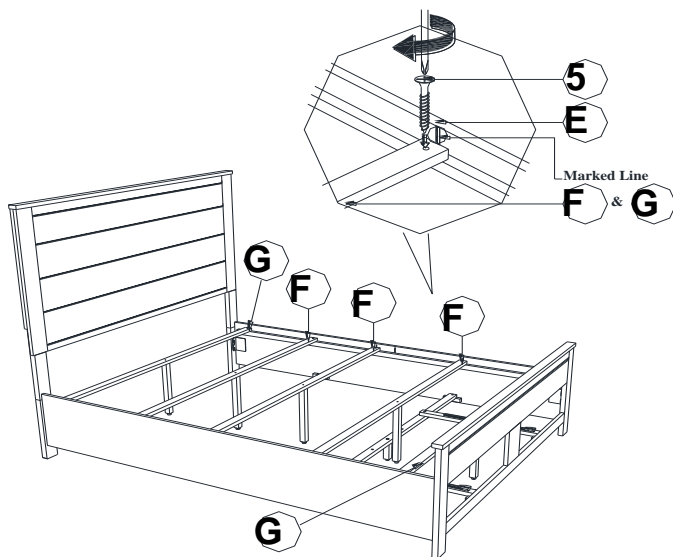
**STEP 5**



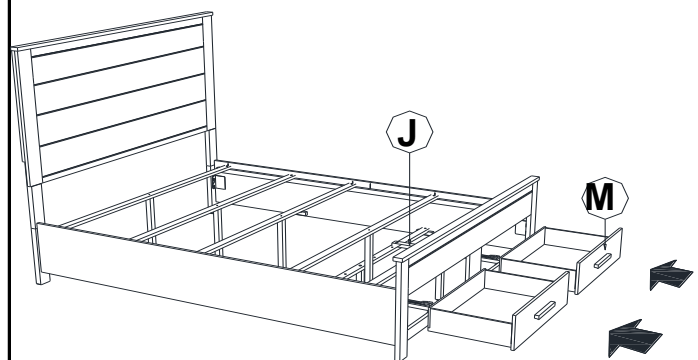
**STEP 6**



**STEP 7**

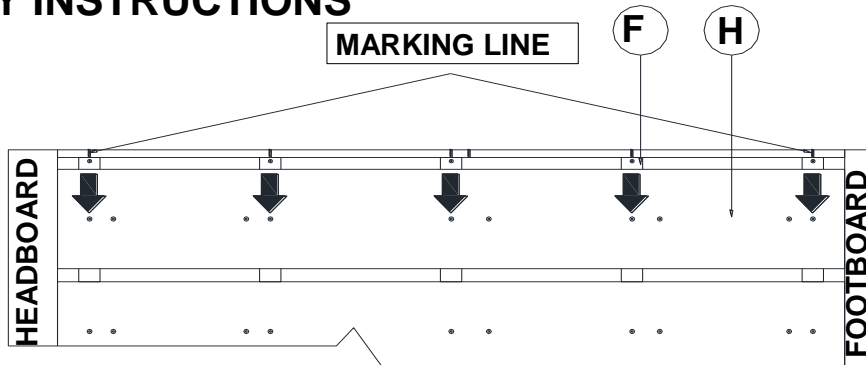


**STEP 8**

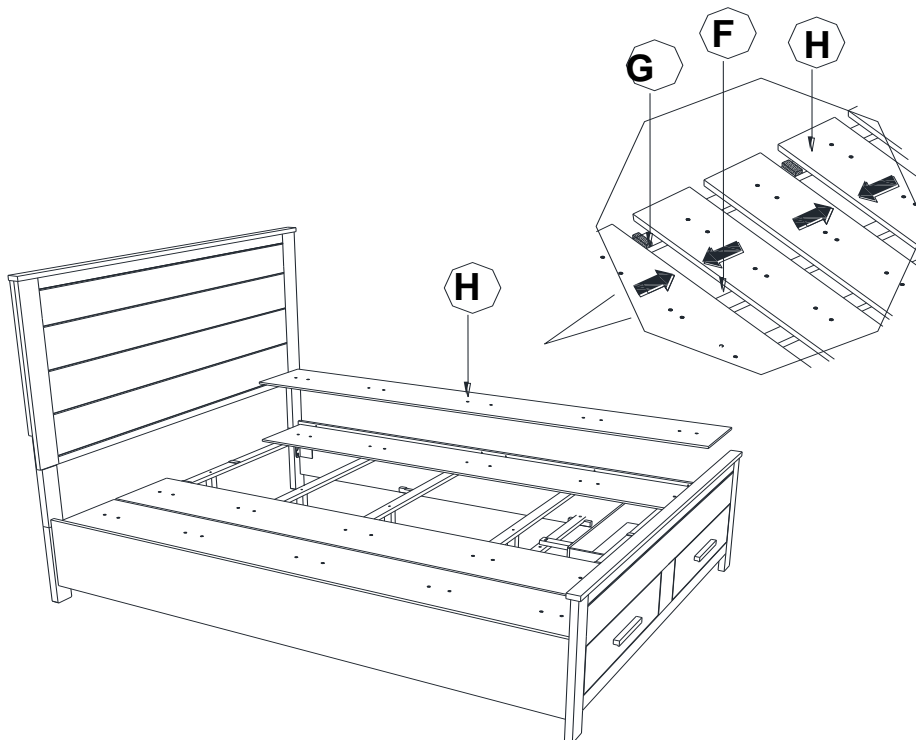


ASSEMBLY INSTRUCTIONS

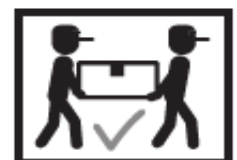
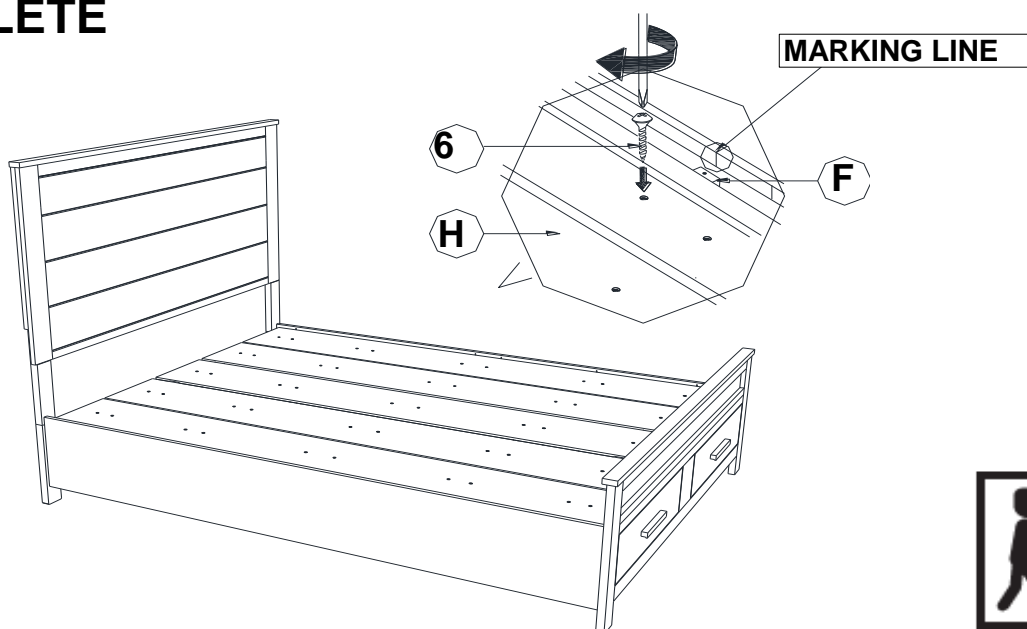
**STEP 9**



TIGHTEN THE PANHEAD SCREW (6) BY FOLLOW THE ARROW AS SHOWN



**STEP 10**  
**COMPLETE**

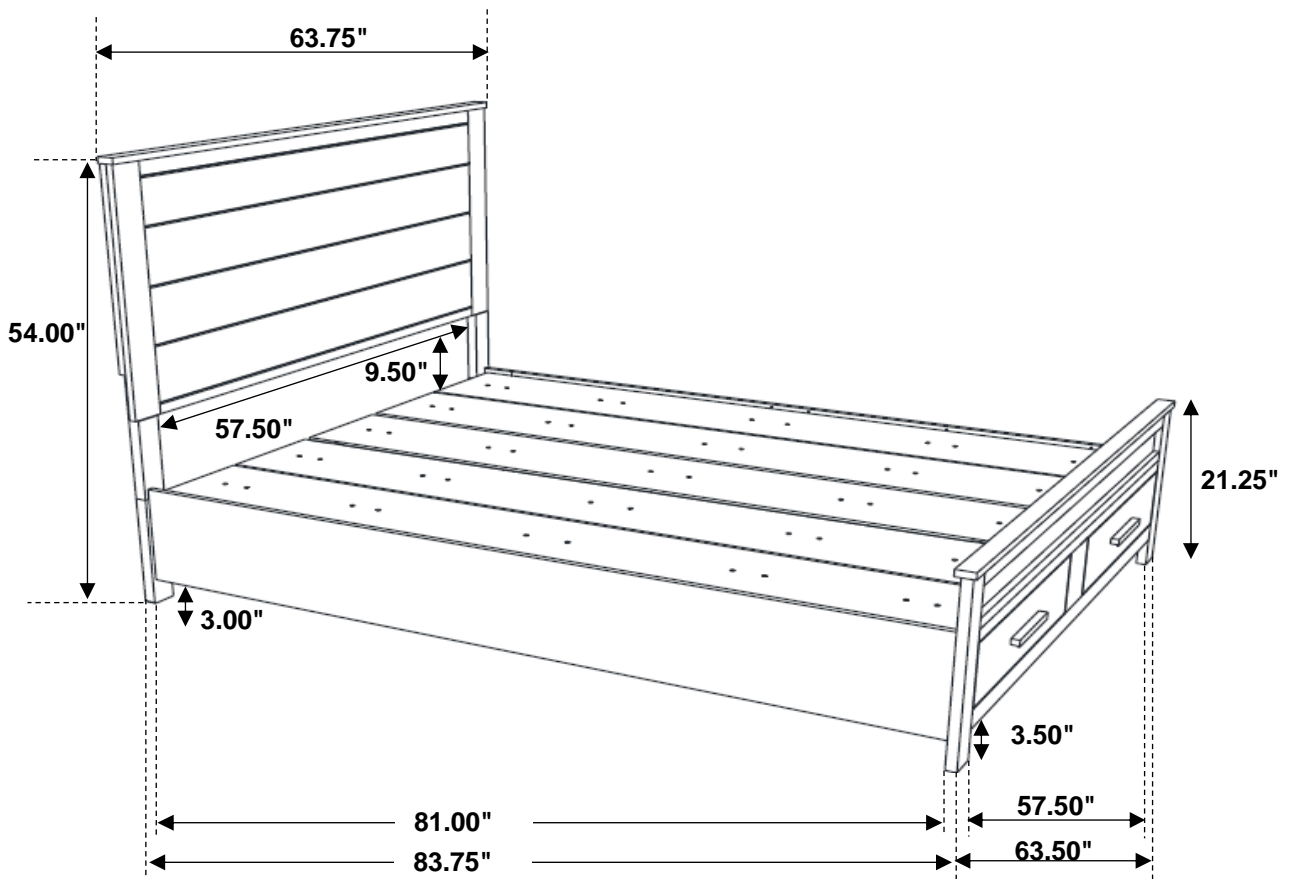


# ITEM: 222631Q (B1-B3)



Inner Size of Bed: 61.00"W X 81.00"D

Inner Size of Drawer : 23.25"W X 15.00"D X 5.00"H X 0.25"T



Note: Dimension tolerance  $\pm 5\%$