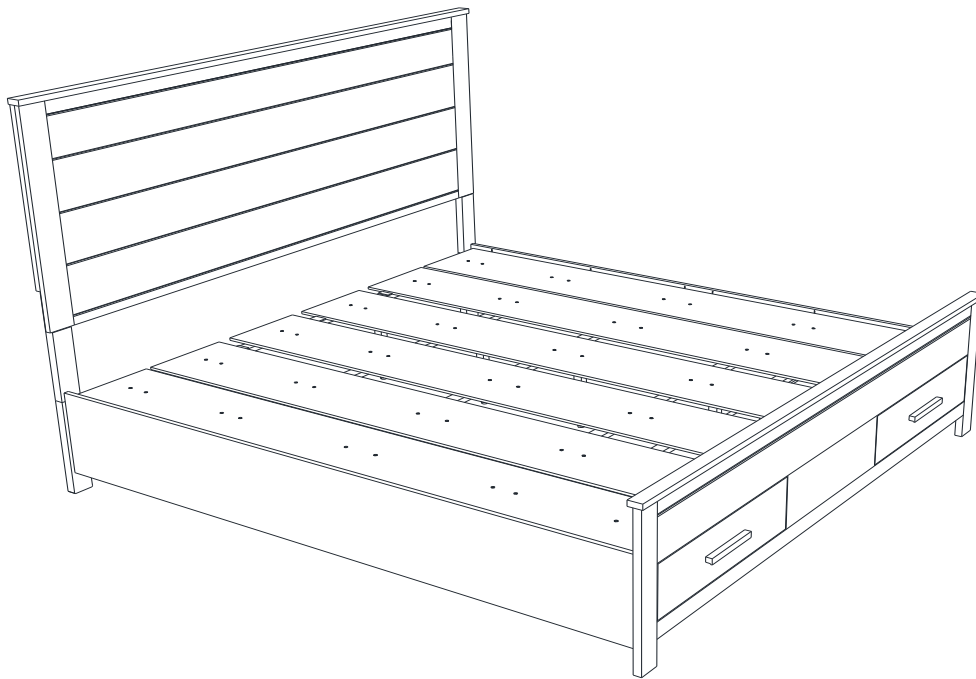


**ASSEMBLY INSTRUCTIONS**  
**COASTER FINE FURNITURE**



*Fine Furniture for every stage of life*

**222631KE (B1-B3)**  
**Eastern King Storage Bed**

# ITEM: 222631KE (B1-B3)

## ASSEMBLY INSTRUCTIONS

### ASSEMBLY TIPS:

1. Remove hardware from box and sort by size.
2. Please check to see that all hardware and parts are present prior to start of assembly.
3. Please follow attached instructions in the same sequence as numbered to assure fast & easy assembly.



### WARNING!

1. Don't attempt to repair or modify parts that are broken or defective. Please contact the store immediately.
2. This product is for home use only and not intended for commercial establishments.



ASSEMBLY TIME

20 MINUTES

## PARTS IDENTIFICATION

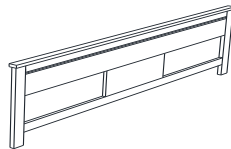
### B1 ( BOX 1 )

A HEADBOARD PANEL



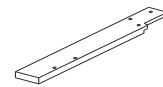
1PC

B FOOTBOARD FRAME



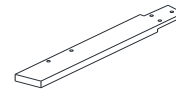
1PC

C RIGHT HEADBOARD LEG



1PC

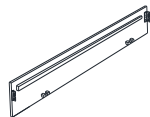
D LEFT HEADBOARD LEG



1PC

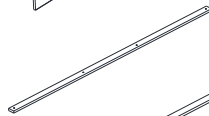
### B2 ( BOX 2 )

E BED RAIL



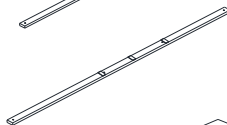
2PCS

F BED SLAT



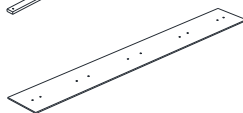
3PCS

G BED SLAT WITH MARKING



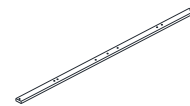
2PCS

H CONCEAL PANEL



6PCS

I DRAWER BOTTOM TRESTLE BAR



1PC

J DRAWER SUPPORT RAIL



2PCS

K BED SLAT SUPPORT WITH LEVELER DRAWER



10PCS

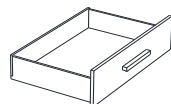
L SUPPORT LEG WITH LEVELER



1PC

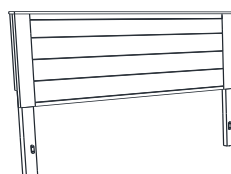
### B3 ( BOX 3 )

M DRAWER BOX



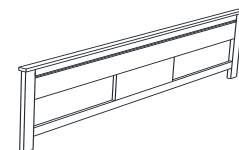
2PCS

HB 222631KE(B1) FROM BOX 1 HEADBOARD COMPLETE



1PC

B 222631KE(B1) FROM BOX 1 FOOTBOARD FRAME



1PC

# ITEM: 222631KE (B1-B3)

## ASSEMBLY INSTRUCTIONS

### ASSEMBLY TIPS:

1. Remove hardware from box and sort by size.
2. Please check to see that all hardware and parts are present prior to start of assembly.
3. Please follow attached instructions in the same sequence as numbered to assure fast & easy assembly.







### WARNING!





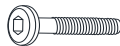



1. Don't attempt to repair or modify parts that are broken or defective. Please contact the store immediately.
2. This product is for home use only and not intended for commercial establishments.

## HARDWARE IDENTIFICATION

### Z-B1 (BOX 1) - HARDWARE PACK IS LOCATED IN 222631KE (B1)

1	<b>BOLT</b> (M6 x 30mm - BLK)		6PCS	3	<b>FLAT WASHER</b> (1/4" ID x 13mm - BLK)		6PCS
2	<b>LOCK WASHER</b> (1/4" - BLK)		6PCS	4	<b>ALLEN WRENCH</b> (M4 x 60mm - BLK)		1PC

### Z-B2 (BOX 2) - HARDWARE PACK IS LOCATED IN 222631KE (B2)

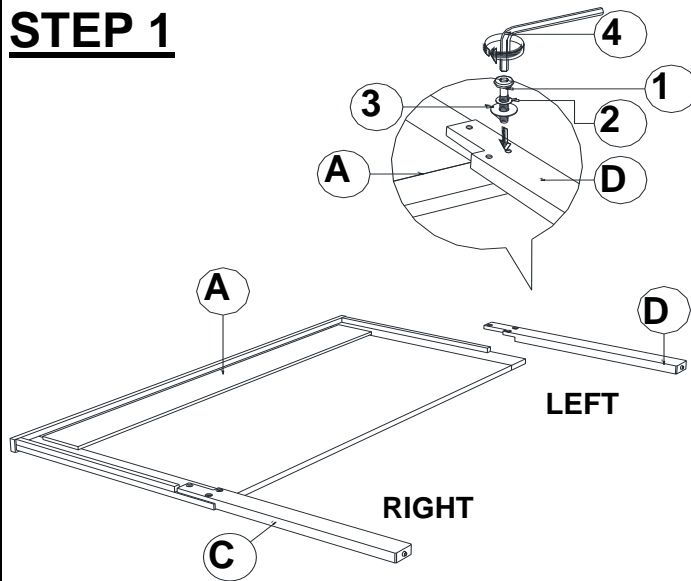
5	<b>FLAT HEAD SCREW</b> (M4 x 32mm - RBW)		14PCS	9	<b>LOCK WASHER</b> (1/4" - BLK)		2PCS
6	<b>PAN HEAD SCREW</b> (M3.5 x 20mm - BLK)		30PCS	10	<b>FLAT WASHER</b> (1/4" ID x 13mm - BLK)		2PCS
7	<b>SHORT BOLT</b> (M6 x 35mm - BLK)		2PCS	11	<b>SMALL ALLEN WRENCH</b> (M4 x 60mm - BLK)		1PC
8	<b>LONG BOLT</b> (M6 x 50mm - BLK)		11PCS	12	<b>BIG ALLEN WRENCH</b> (M5 x 65mm - BLK)		1PC

### NOTE:

Phillips head screw driver is required in the assembly process; however, manufacturer does not provide this item.

**ASSEMBLY INSTRUCTIONS**

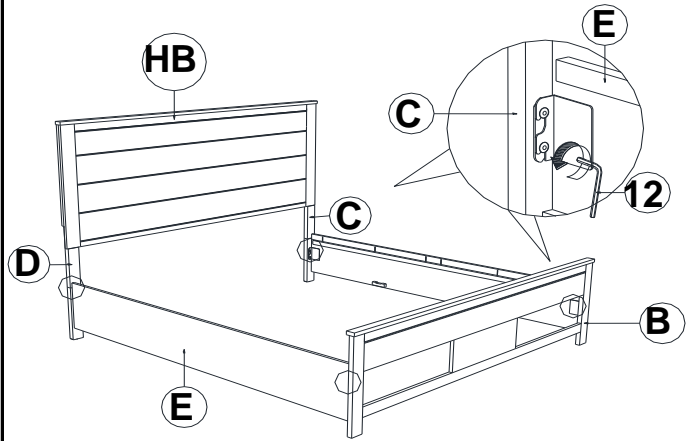
**STEP 1**



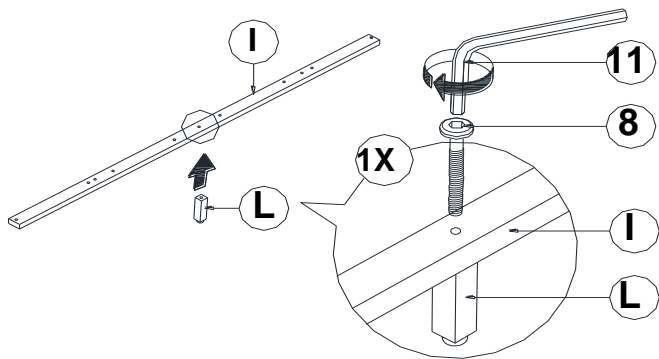
**\*\*BACK VIEW\*\***

Note : Please take note of the marking sticker (L&R) on the leg.

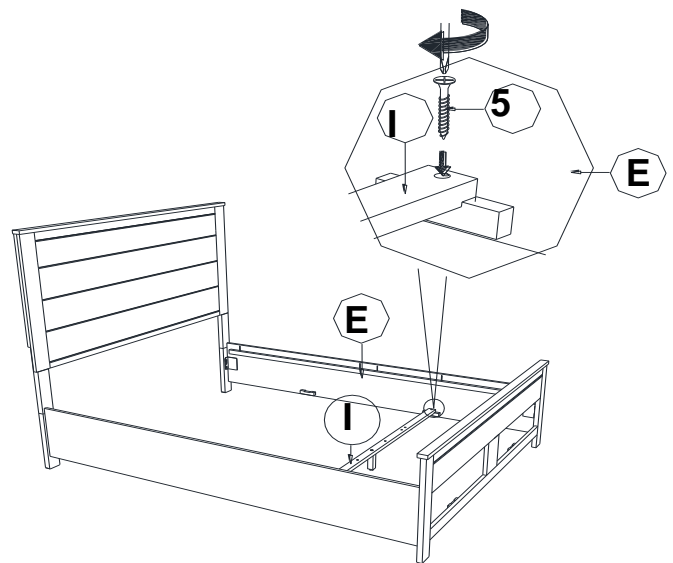
**STEP 2**



**STEP 3**

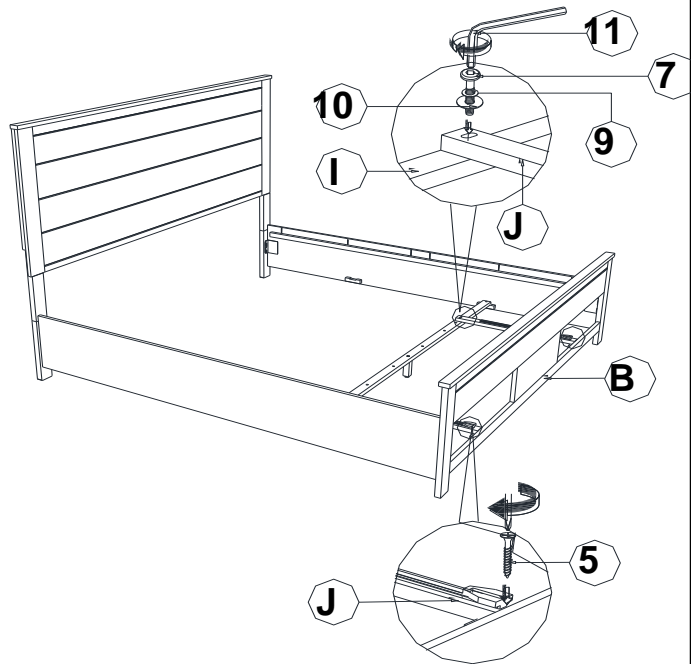


**STEP 4**

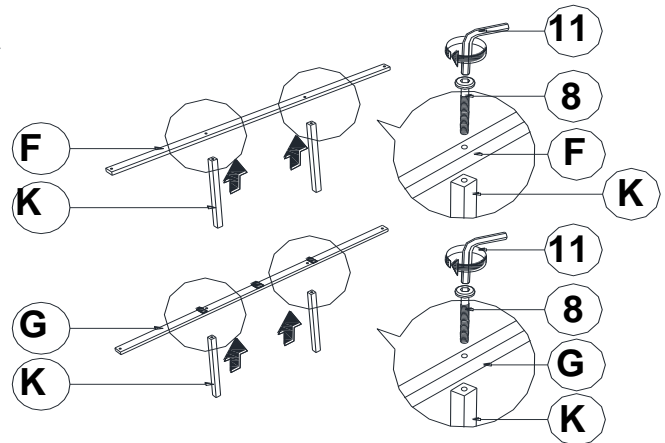


**ASSEMBLY INSTRUCTIONS**

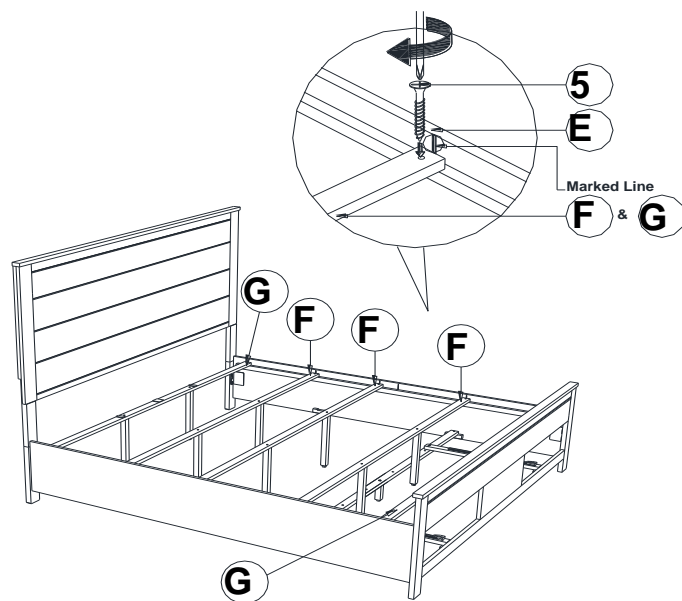
**STEP 5**



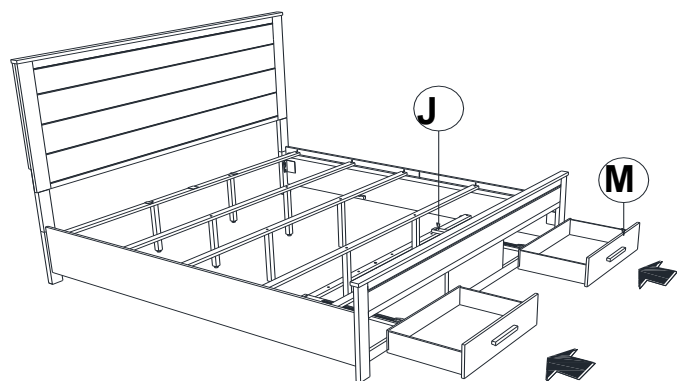
**STEP 6**



**STEP 7**

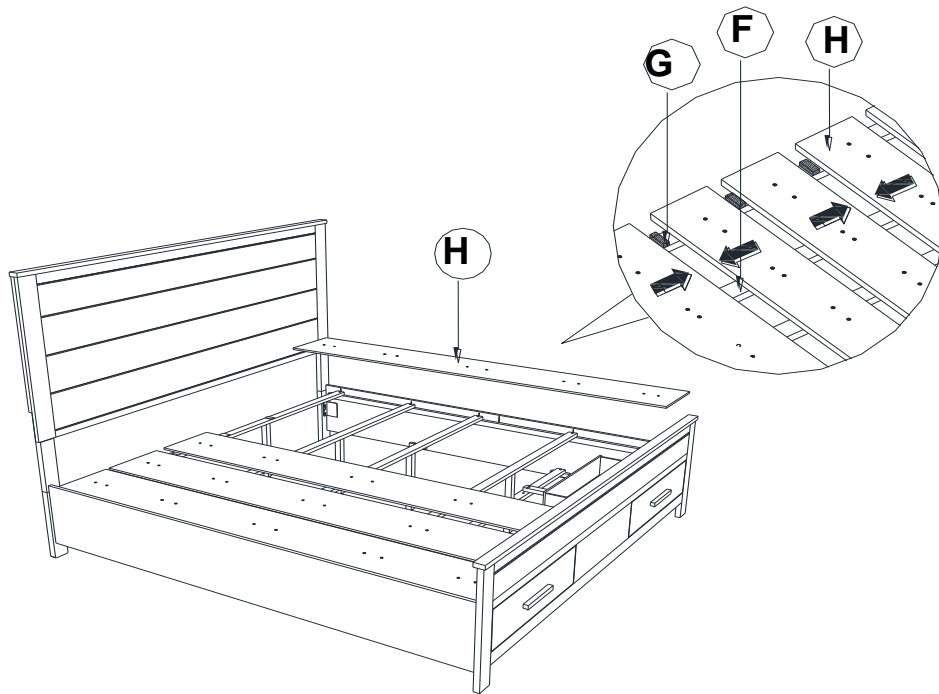
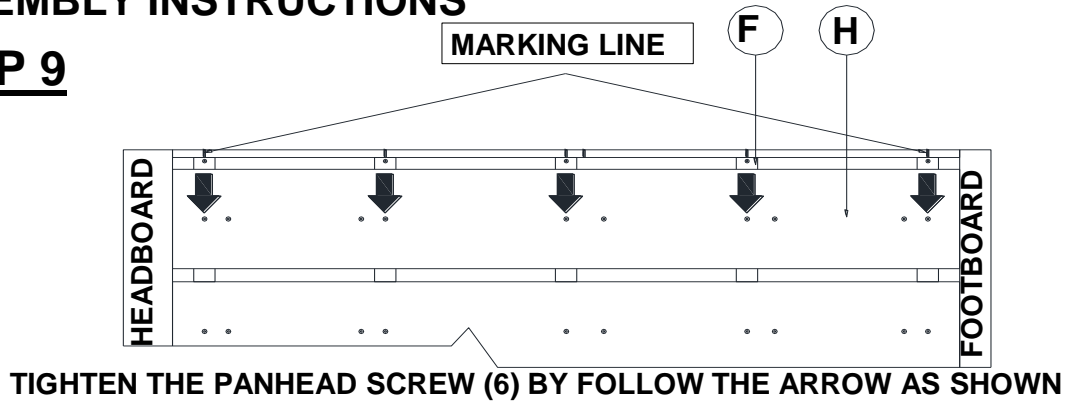


**STEP 8**

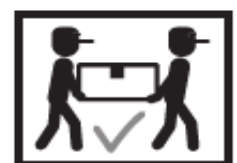
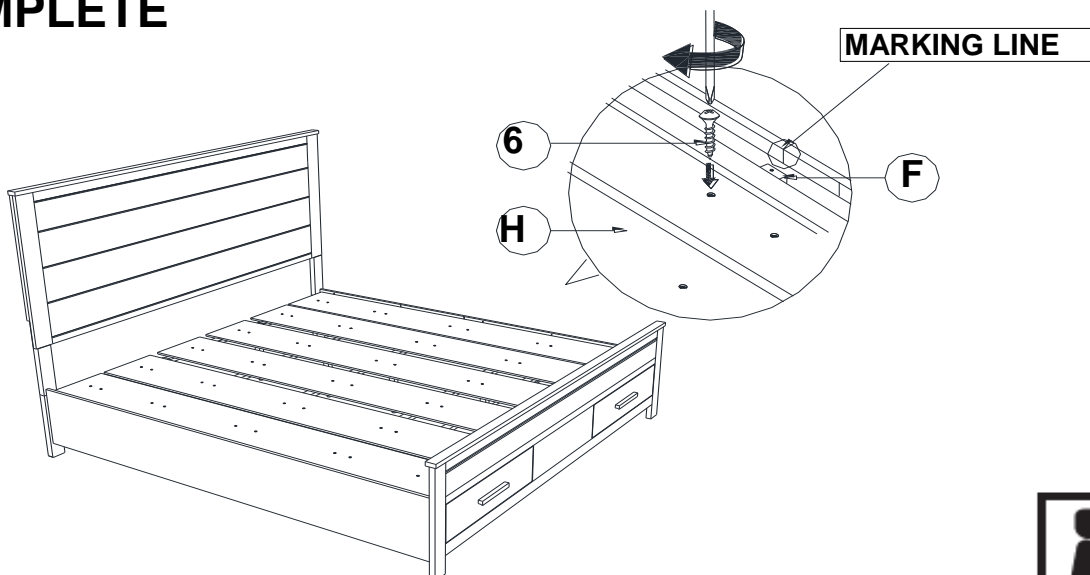


ASSEMBLY INSTRUCTIONS

**STEP 9**



**STEP 10**  
**COMPLETE**

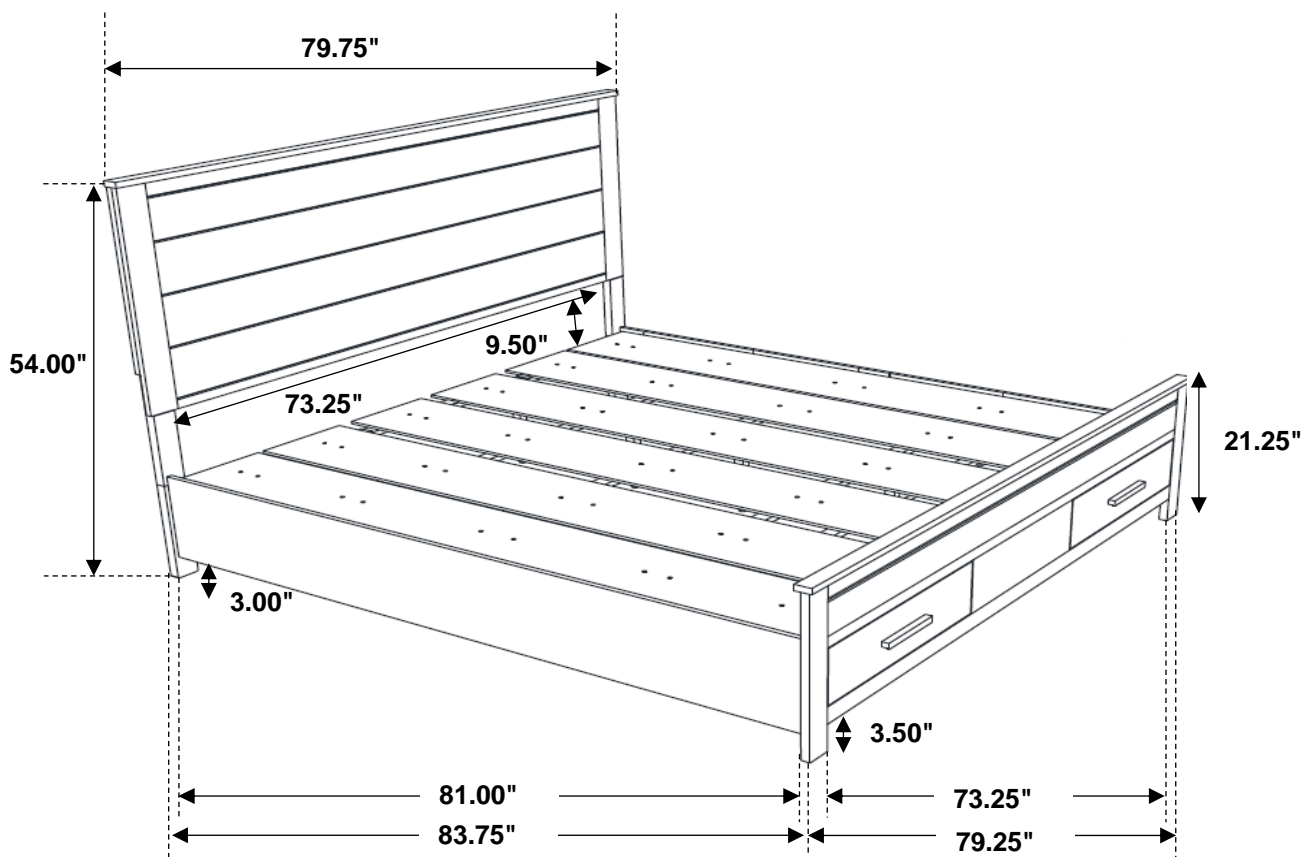


# ITEM: 222631KE (B1-B3)



Inner Size of Bed: 77.00"W X 81.00"D

Inner Size of Drawer : 23.25"W X 15.00"D X 5.00"H X 0.25"T



Note: Dimension tolerance  $\pm 5\%$