



ASSEMBLY INSTRUCTIONS COASTER FINE FURNITURE



Fine Furniture for every stage of life

400187 *Computer Desk*

REVISION 0 : 01/02/2007
REVISION 1 : 01/03/2012
REVISION 2 : 08/28/2018
REVISION 3 : 12/18/2019

ITEM: **400187**



ASSEMBLY INSTRUCTIONS

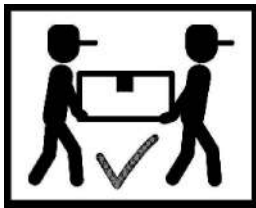
ASSEMBLY TIPS:

1. Remove hardware from box and sort by size.
2. Please check to see that all hardware and parts are present prior to start of assembly.
3. Please follow attached instructions in the same sequence as numbered to assure fast & easy assembly.



WARNING!

1. Don't attempt to repair or modify parts that are broken or defective. Please contact the store immediately.
2. This product is for home use only and not intended for commercial establishments.



ASSEMBLY TIME

10 MINUTES

PARTS IDENTIFICATION

A COMPUTER DESK



1PC

NOTE:

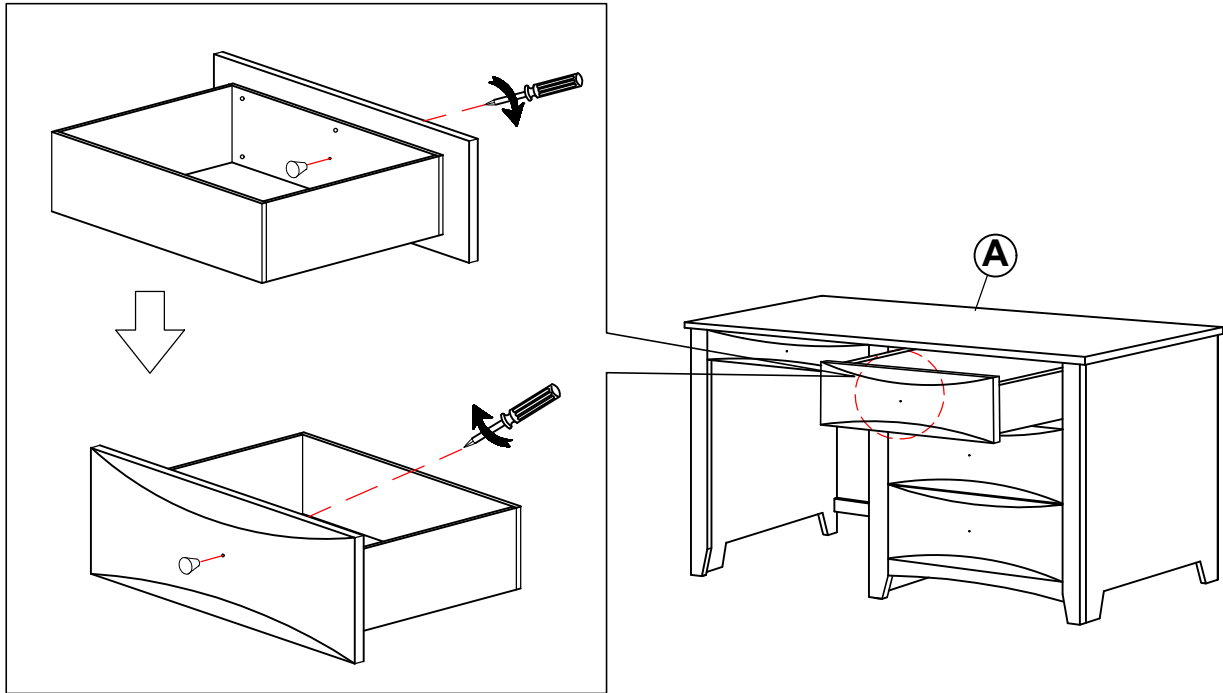
Phillips head screw driver is required in the assembly process; however, manufacturer does not provide this item.

ITEM: **400187**

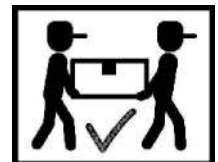


ASSEMBLY INSTRUCTIONS

STEP 1



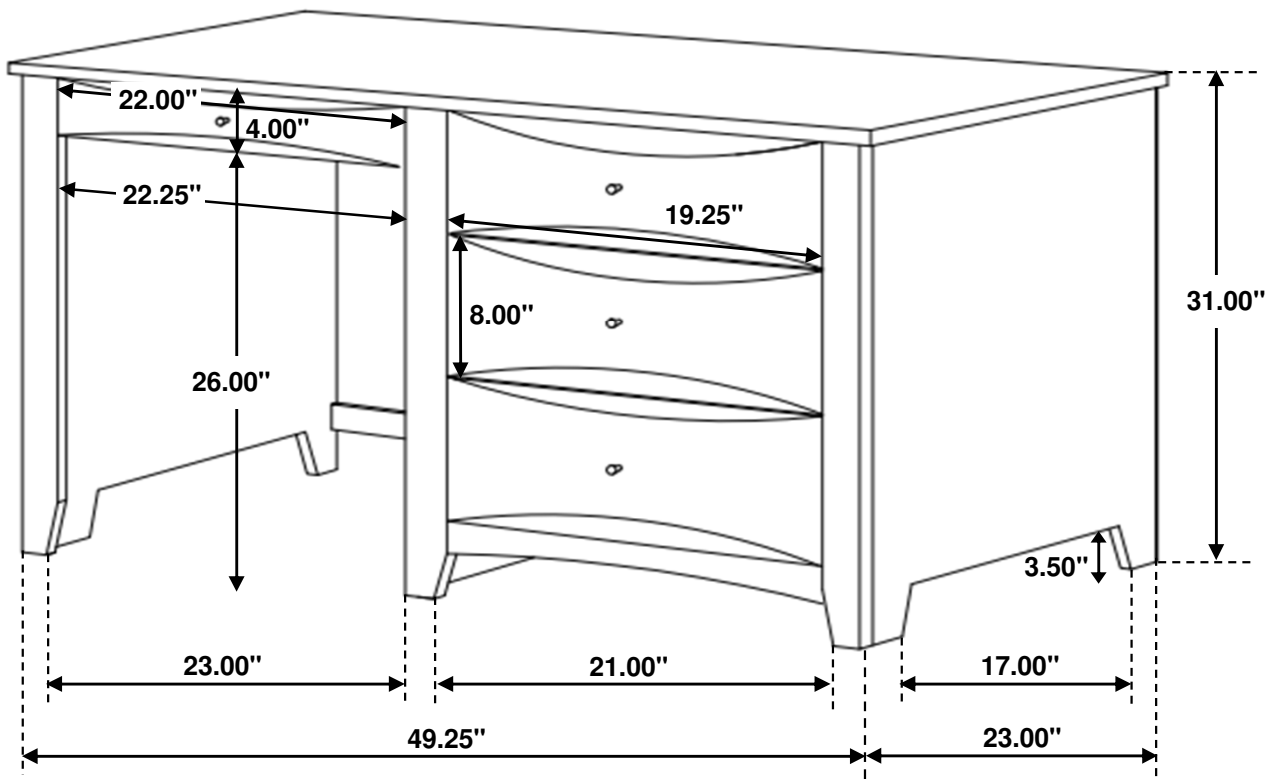
STEP 2
COMPLETE



ITEM: **400187**



Inner Size of Drawer : 18.00"W X 14.25"D X 5.50"H X 0.50"T



Note : Dimension tolerance $\pm 5\%$