

ASSEMBLY INSTRUCTIONS COASTER FINE FURNITURE



Fine Furniture for every stage of life

400180T (B1-B3) ***Twin Storage Bed***

REVISION 0 : 01/10/2007
REVISION 1 : 01/08/2013
REVISION 2 : 09/11/2018
REVISION 3 : 12/02/2019
REVISION 4 : 08/07/2020

ITEM: 400180T (B1-B3)



ASSEMBLY INSTRUCTIONS

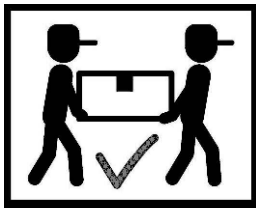
ASSEMBLY TIPS:

1. Remove hardware from box and sort by size.
2. Please check to see that all hardware and parts are present prior to start of assembly.
3. Please follow attached instructions in the same sequence as numbered to assure fast & easy assembly.



WARNING!

1. Don't attempt to repair or modify parts that are broken or defective. Please contact the store immediately.
2. This product is for home use only and not intended for commercial establishments.



ASSEMBLY TIME

40 MINUTES

PARTS IDENTIFICATION

B1 (BOX 1)

A STORAGE HEADBOARD



1PC

B HEADBOARD LEG



1PC

E HEADBOARD LEG BOTTOM CLEAT



1PC

B2 (BOX 2)

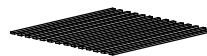
F FOOTBOARD



1PC

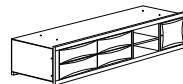
B3 (BOX 3)

C ROLL SLAT
(14PCS)



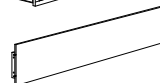
1SET

D SIDE STORAGE BOX



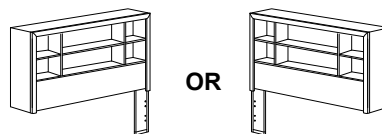
1PC

G BED RAIL



1PC

HB 400180T (B1)
FROM BOX 1
STORAGE HEADBOARD
COMPLETE



1PC

F 400180T (B2)
FROM BOX 2
FOOTBOARD



1PC

ITEM:400180T (B1-B3)



ASSEMBLY INSTRUCTIONS

ASSEMBLY TIPS:

1. Remove hardware from box and sort by size.
2. Please check to see that all hardware and parts are present prior to start of assembly.
3. Please follow attached instructions in the same sequence as numbered to assure fast & easy assembly.


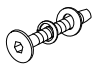
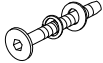




WARNING!

1. Don't attempt to repair or modify parts that are broken or defective. Please contact the store immediately.
2. This product is for home use only and not intended for commercial establishments.

HARDWARE IDENTIFICATION

Z-B1 (BOX 1) - HARDWARE PACK IS LOCATED IN 400180T (B1)

1	ALLEN WRENCH (M4 x 110mm - BLK)		1PC
2	CONNECTION SHORT BOLT (M6 x 30mm - BLK) W/WASHER & SPRING WASHER		6PCS
3	CONNECTION LONG BOLT (M6 x 50mm - BLK) W/WASHER & SPRING WASHER		9PCS
4	WOOD DOWEL (M10 x 40mm)		2PCS
5	FLAT HEAD SCREW (M4 x 25mm - BLK)		28PCS

NOTE:

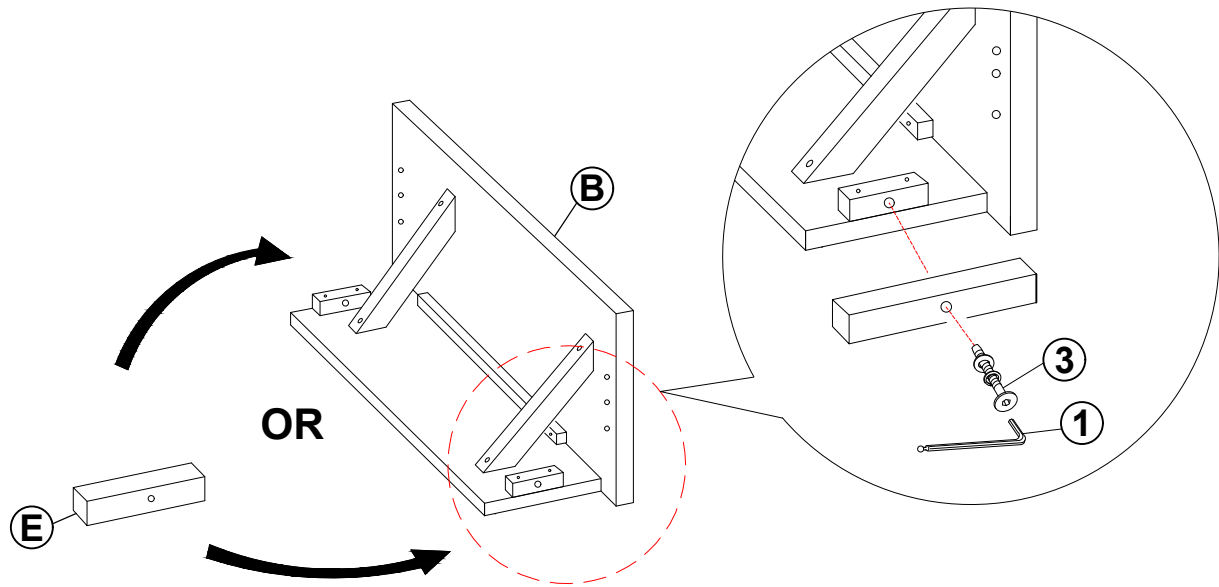
Phillips head screw driver is required in the assembly process; however, manufacturer does not provide this item.

ITEM: 400180T (B1-B3)

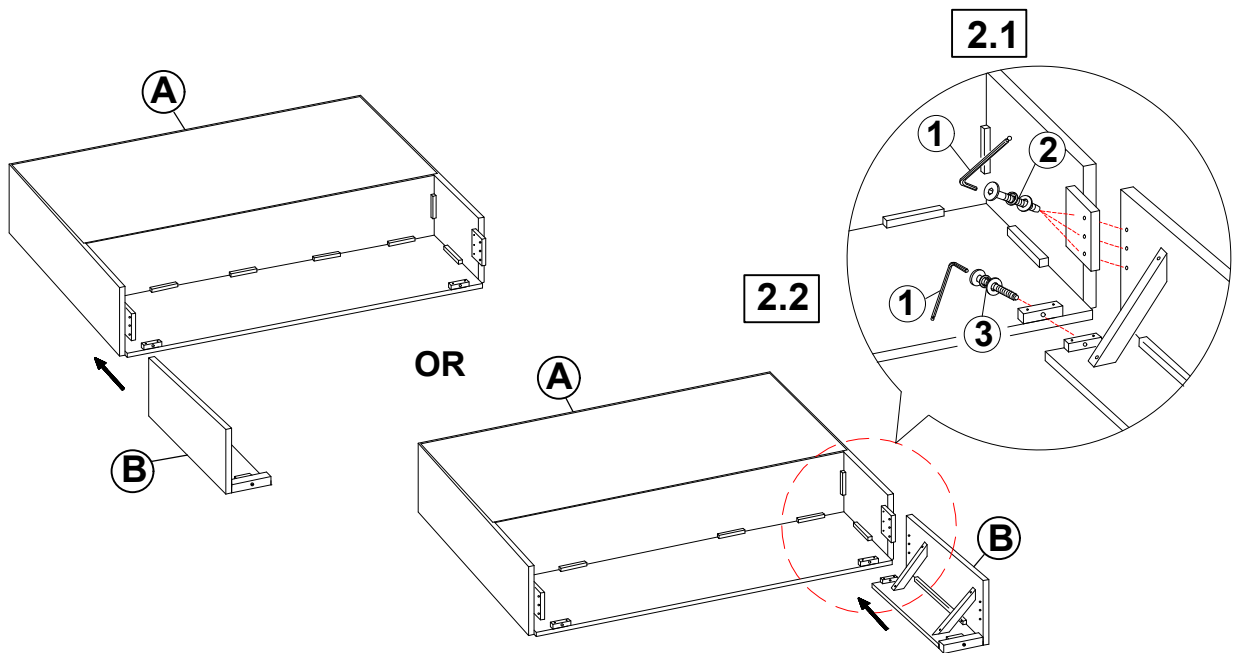


ASSEMBLY INSTRUCTIONS

STEP 1



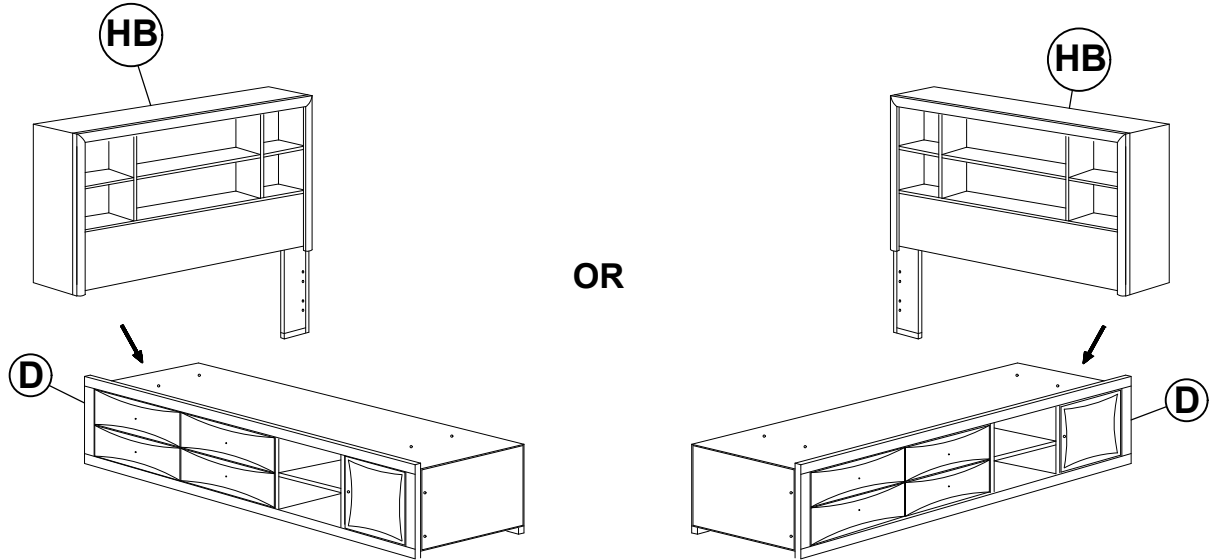
STEP 2



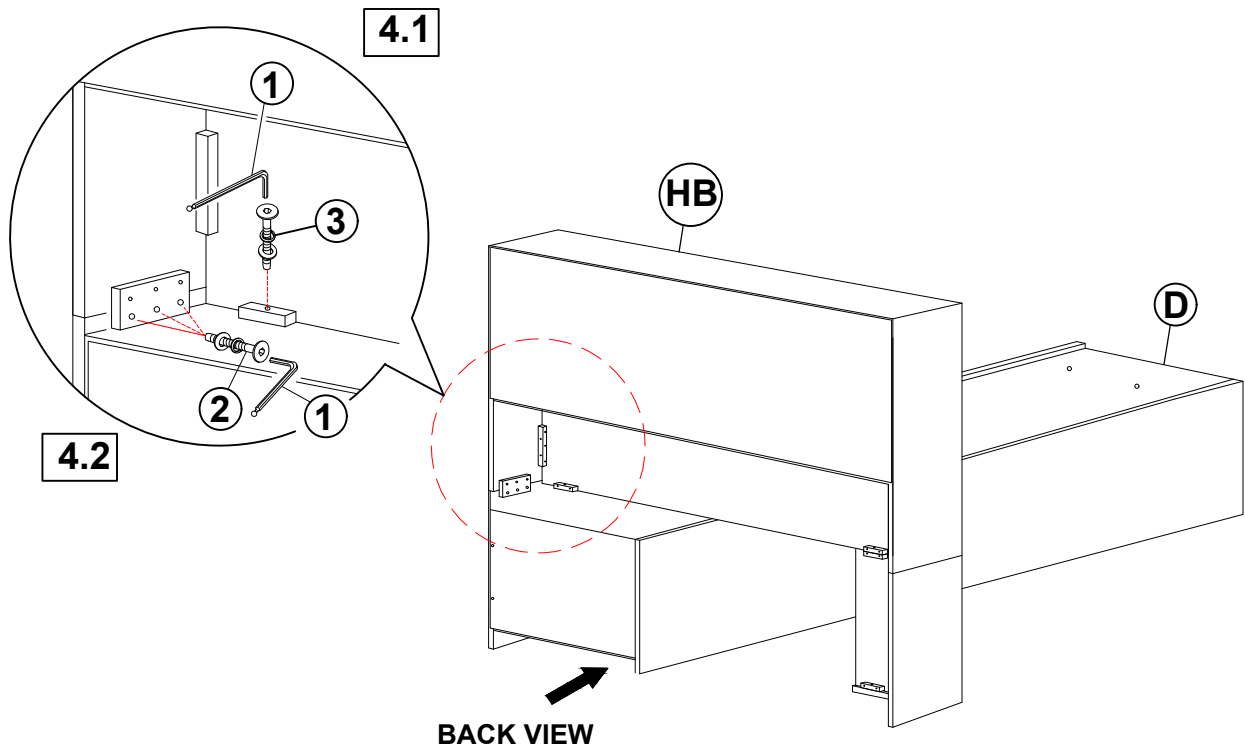
ITEM: 400180T (B1-B3)



ASSEMBLY INSTRUCTIONS STEP 3



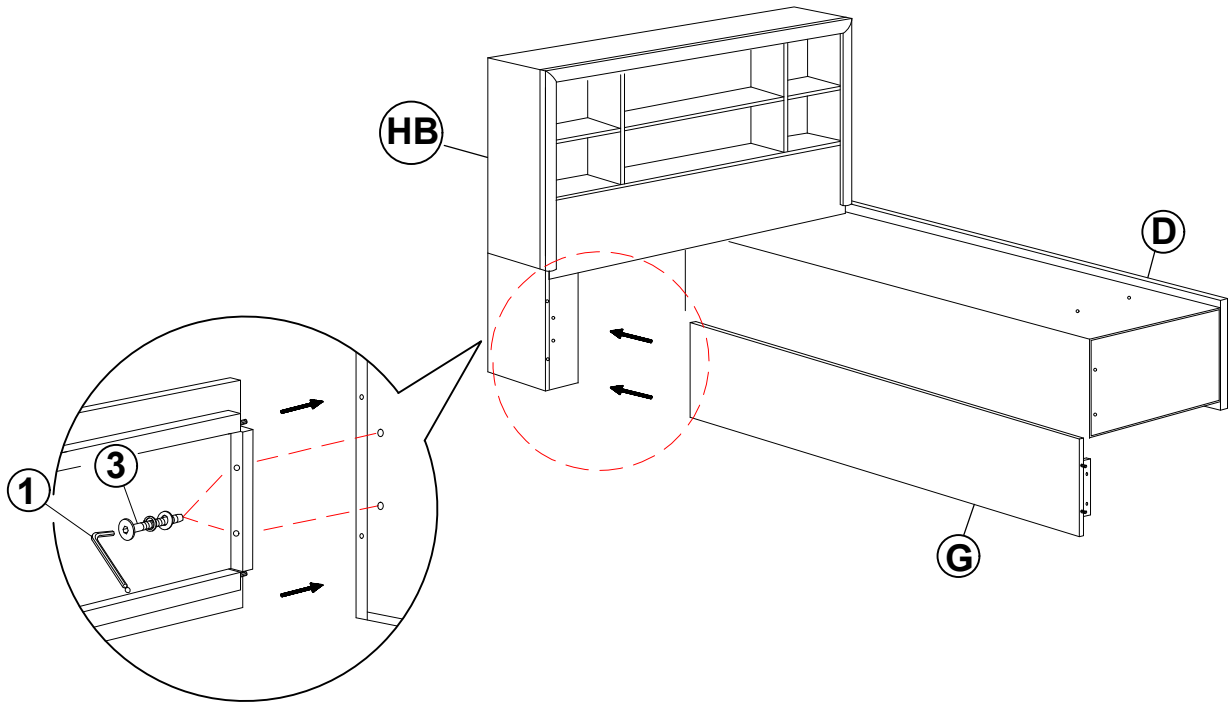
STEP 4



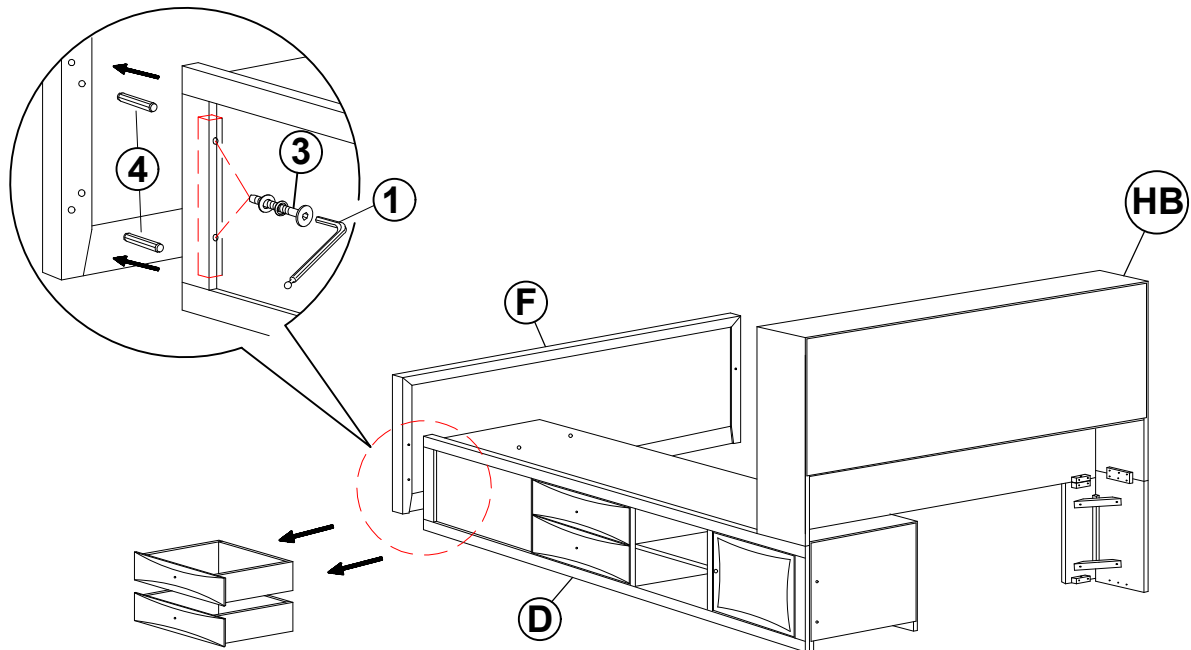
ITEM: 400180T (B1-B3)



ASSEMBLY INSTRUCTIONS
STEP 5



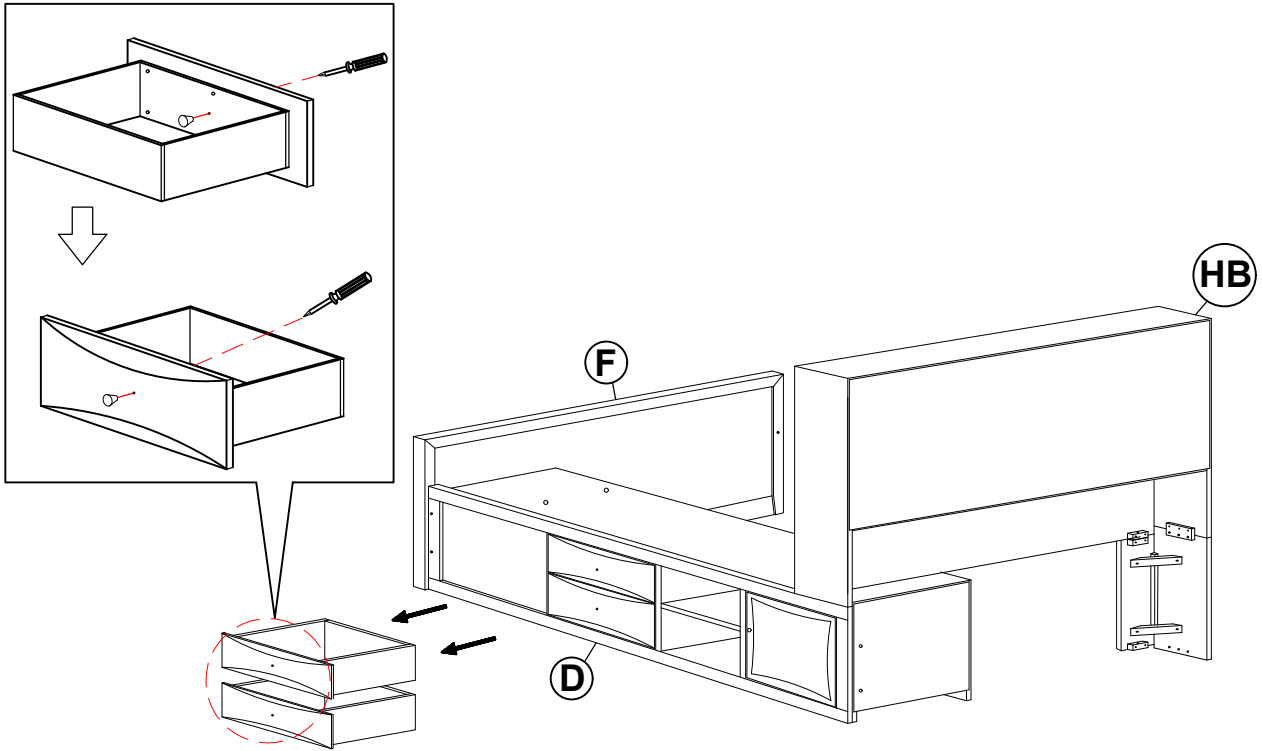
STEP 6



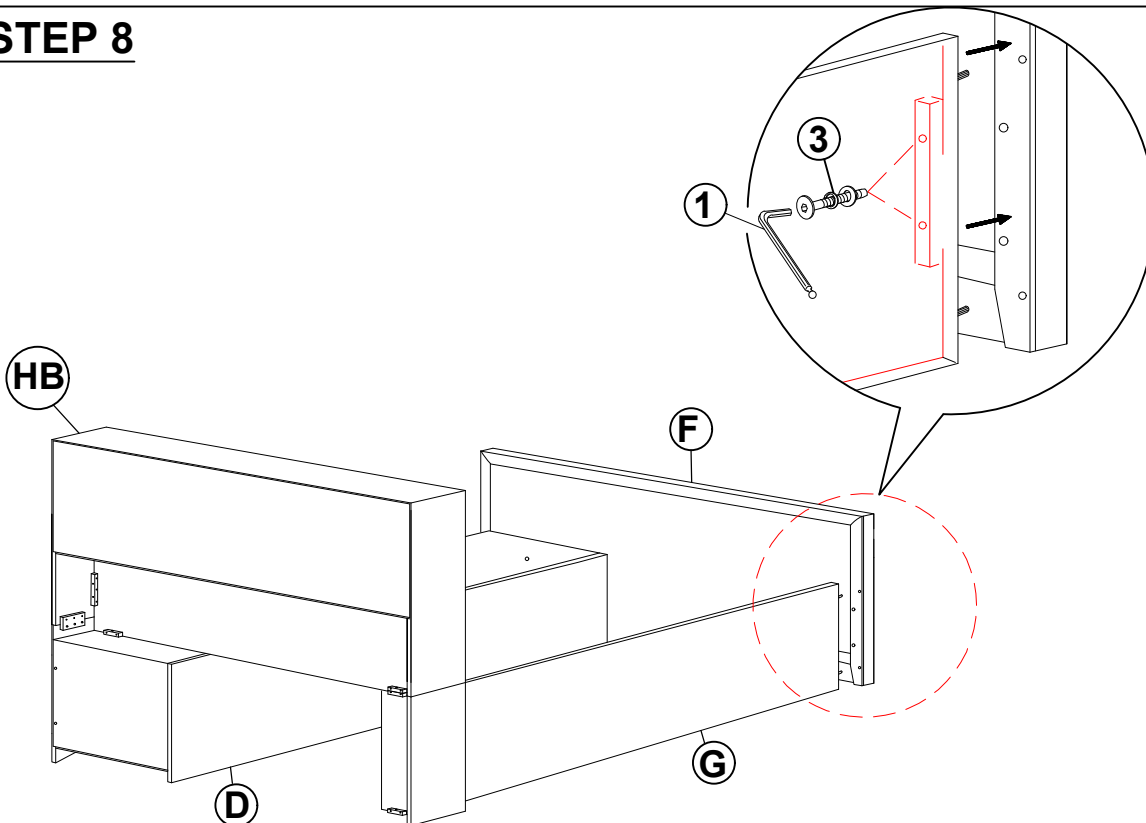
ITEM: 400180T (B1-B3)



ASSEMBLY INSTRUCTIONS
STEP 7



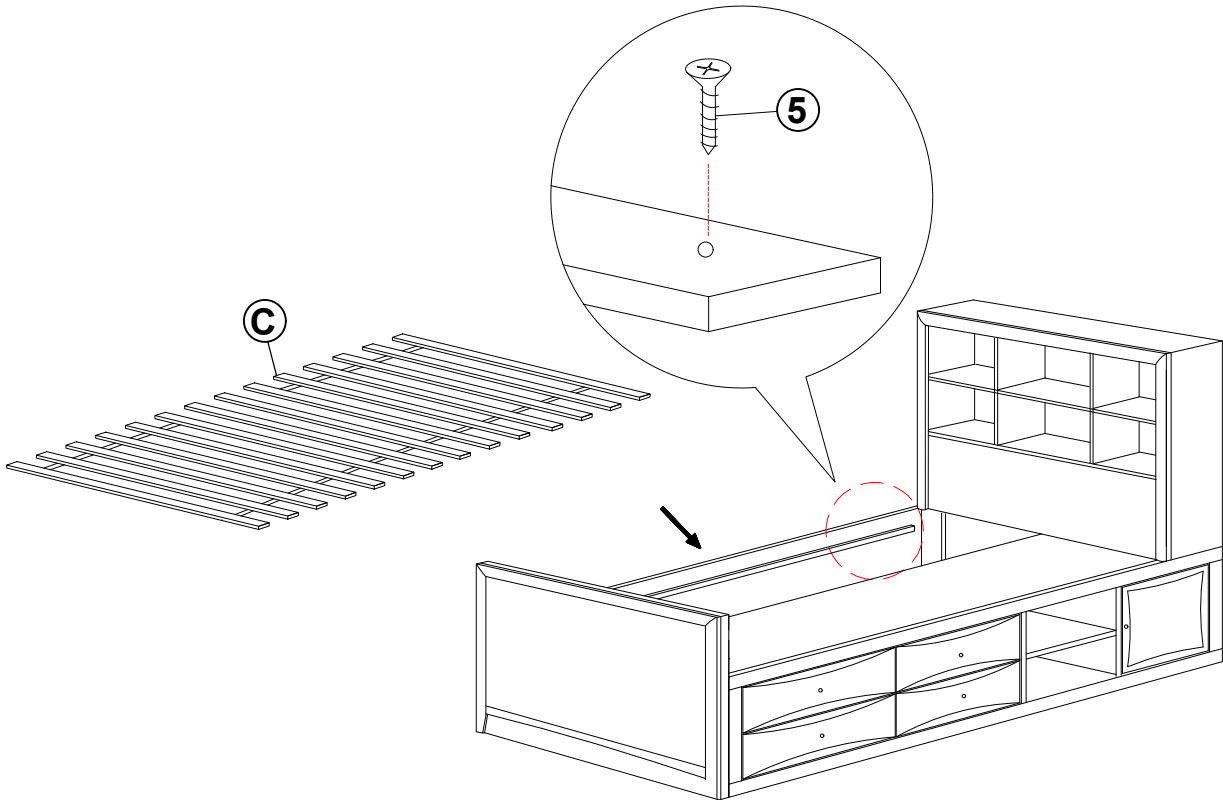
STEP 8



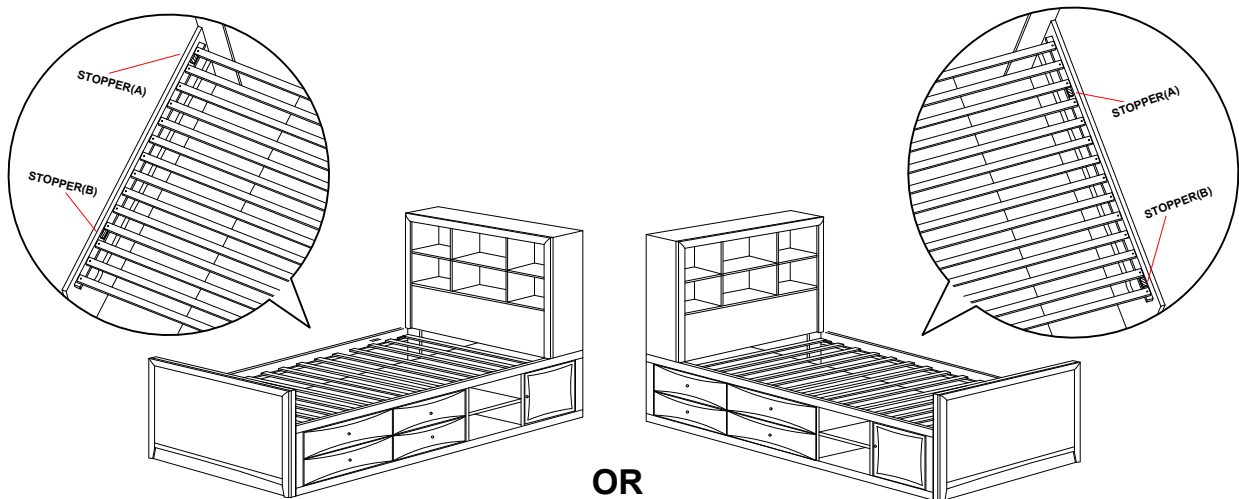
ITEM: **400180T (B1-B3)**



ASSEMBLY INSTRUCTIONS
STEP 9



STEP 10

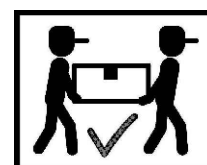


ITEM: **400180T (B1-B3)**

ASSEMBLY INSTRUCTIONS

STEP 11

COMPLETE

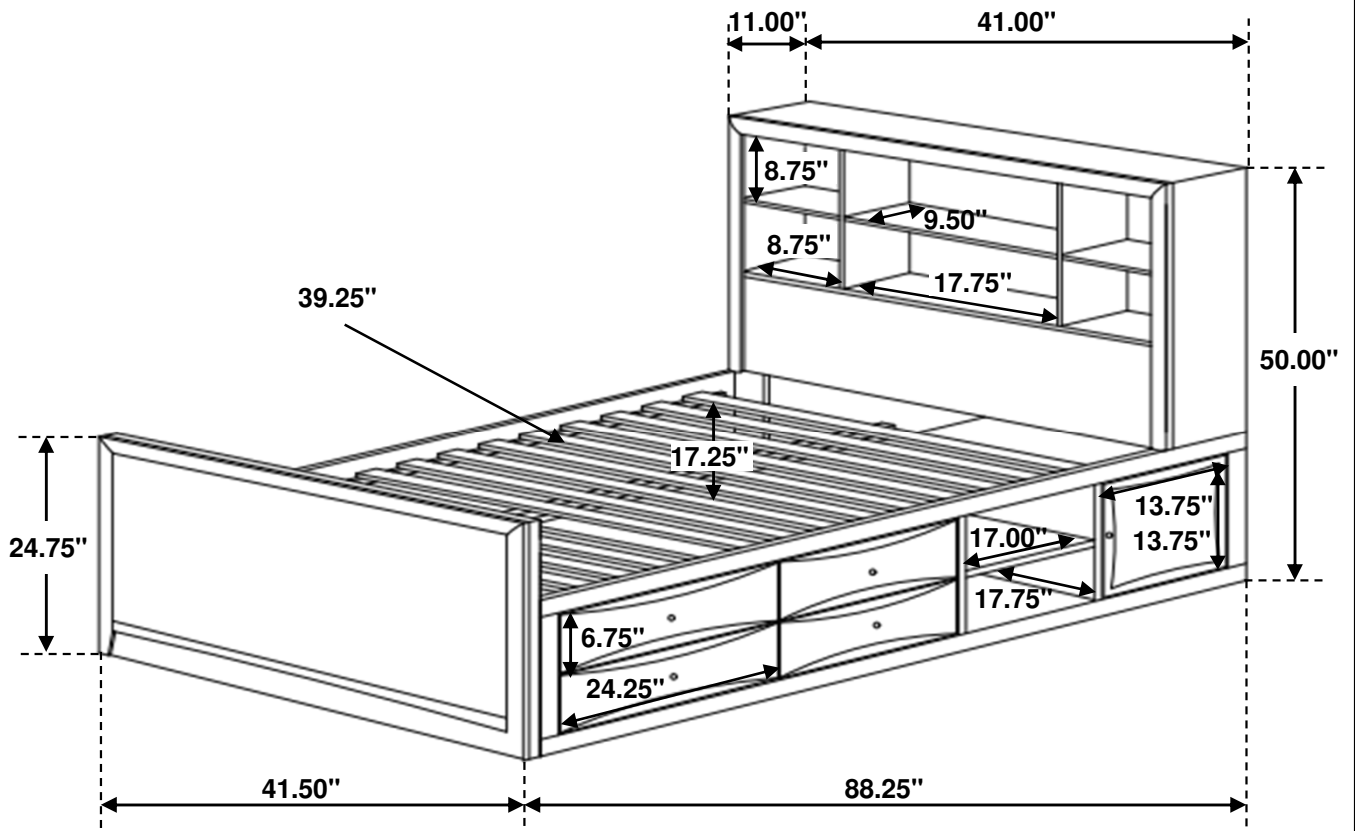


ITEM:400180T (B1-B3)



Inner Size : 39.50"W X 76.00"D

Inner Size of Drawer : 16.00"W X 22.25"D X 4.75"H X 0.25"T



Note : Dimension tolerance $\pm 5\%$