

ASSEMBLY INSTRUCTIONS
COASTER FINE FURNITURE



Fine Furniture for every stage of life

223121KW (B1&B2)
California King Bed

ITEM: 223121KW (B1&B2)



ASSEMBLY INSTRUCTIONS

ASSEMBLY TIPS:

1. Remove hardware from box and sort by size.
2. Please check to see that all hardware and parts are present prior to start of assembly.
3. Please follow attached instruction in the same sequence as numbered to assure fast and easy assembly.



WARNING !

1. Don't attempt to repair or modify parts that are broken or defective. Please contact the store immediately.
2. This product is for home use only and not intended for commercial establishment.

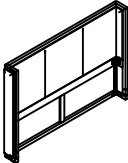

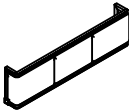


ASSEMBLY TIME


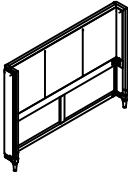
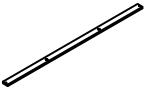
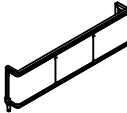

25 MINUTES

PARTS IDENTIFICATION

B1 (BOX 1)

A	HEADBOARD PANEL		1PC	C	LEG		4PCS
B	FOOTBOARD PANEL		1PC				

B2 (BOX 2)

D	BED RAIL		2PCS	HB	223121KW (B1) *FROM BOX 1 HEADBOARD COMPLETE		1PC
E	BED SLAT		4PCS	FB	223121KW (B1) *FROM BOX 1 FOOTBOARD COMPLETE		1PC
F	BED SLAT SUPPORT WITH LEVELER		8PCS				

ITEM: 223121KW (B1&B2)

ASSEMBLY INSTRUCTIONS

ASSEMBLY TIPS:

1. Remove hardware from box and sort by size.
2. Please check to see that all hardware and parts are present prior to start of assembly.
3. Please follow attached instruction in the same sequence as numbered to assure fast and easy assembly.


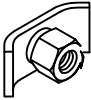
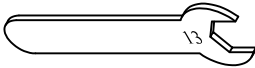
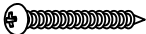


WARNING !

1. Don't attempt to repair or modify parts that are broken or defective. Please contact the store immediately.
2. This product is for home use only and not intended for commercial establishment.

HARDWARE IDENTIFICATION

Z-B2 (BOX 2) - HARDWARE PACK IS LOCATED IN 223121KW (B2)

1	THREADED BOLT (M8 x 100mm - RBW)		8PCS
2	HEX NUT (M8 x 15mm - RBW)		8PCS
3	WRENCH (M13 - SR)		1PC
4	PAN HEAD SCREW (4 x 32mm - SR)		8PCS

NOTE:

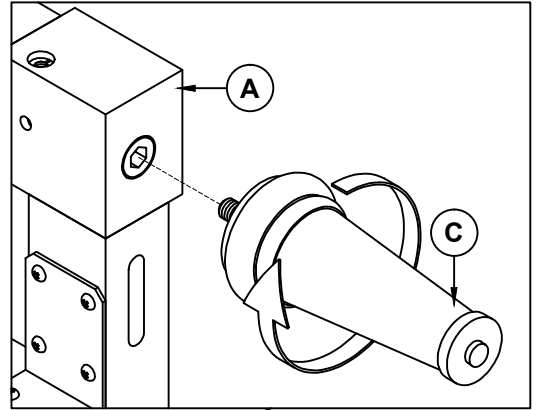
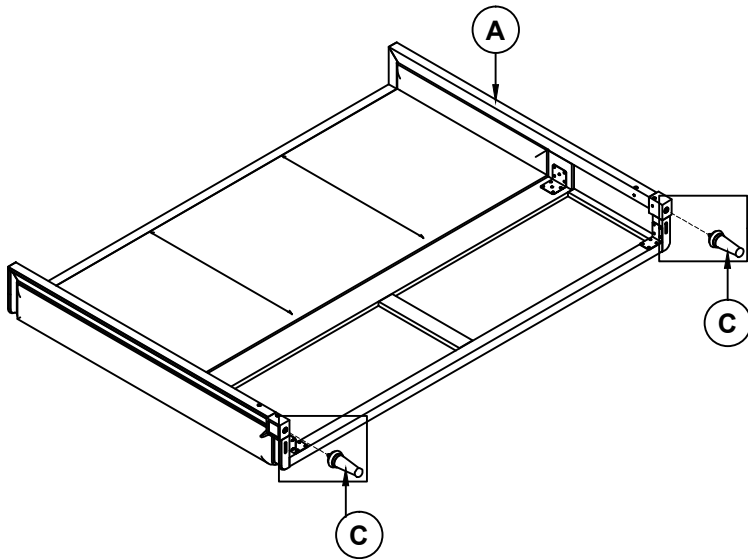
Phillips head screw driver is required in the assembly process; however, manufacturer does not provide this item.

ITEM: 223121KW (B1&B2)

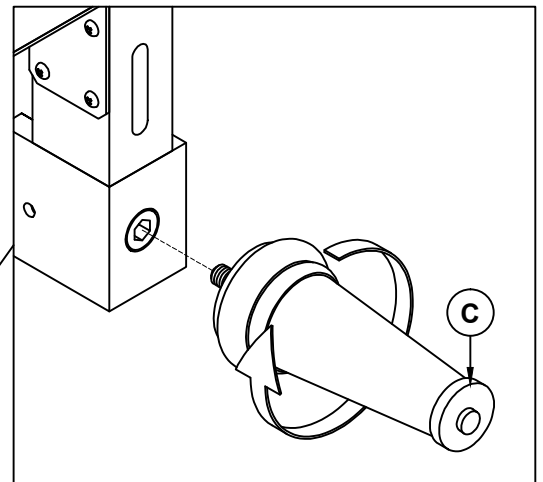
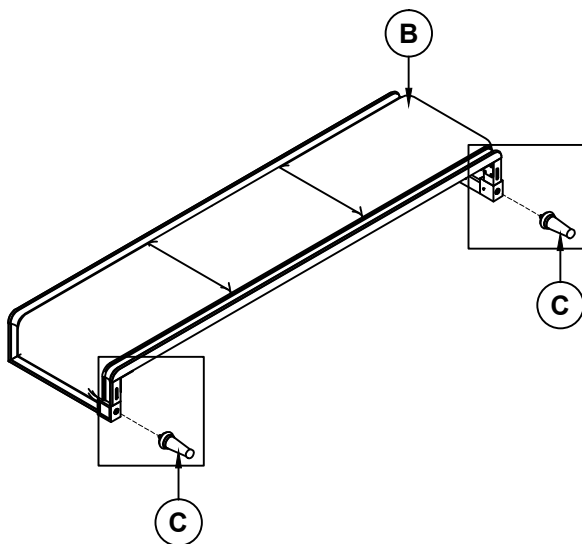
ASSEMBLY INSTRUCTIONS

223121KW (B1) - BOX 1

STEP 1



STEP 2

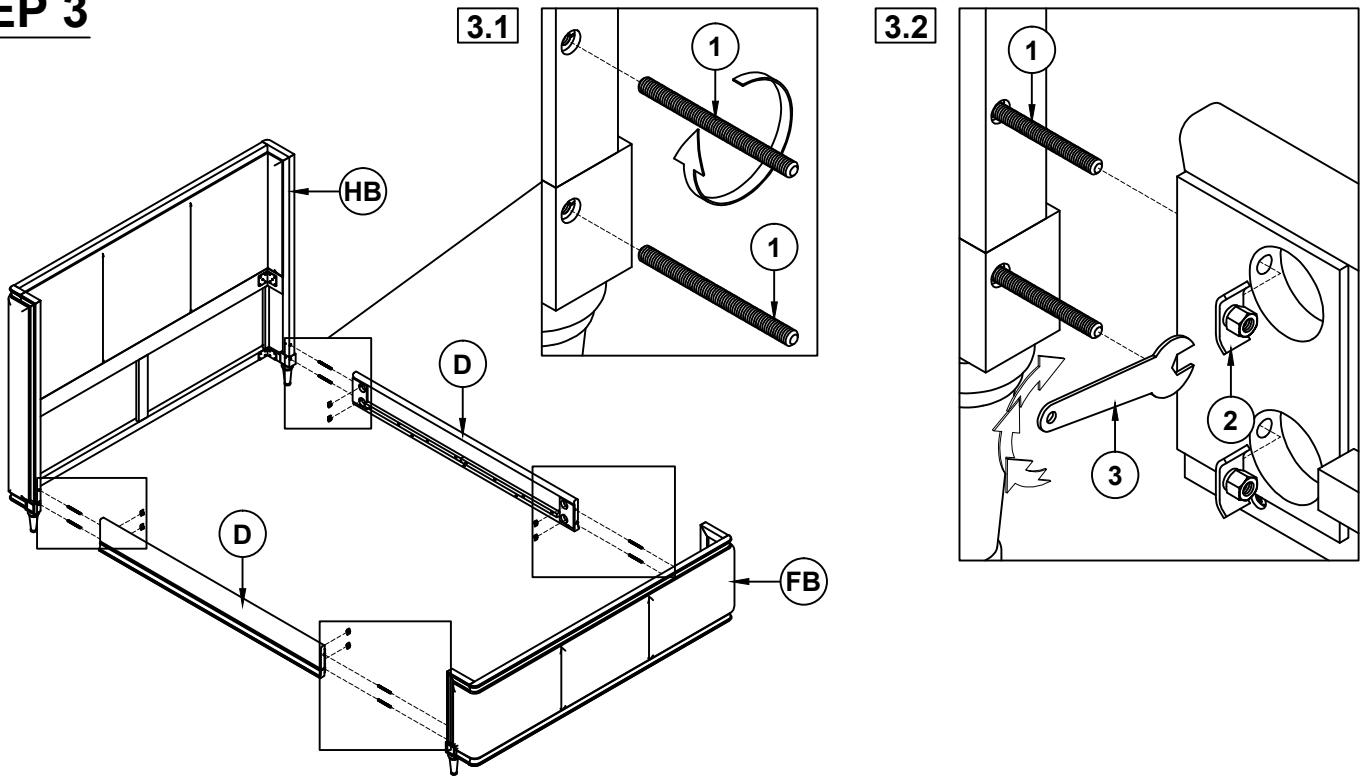


ITEM: 223121KW (B1&B2)

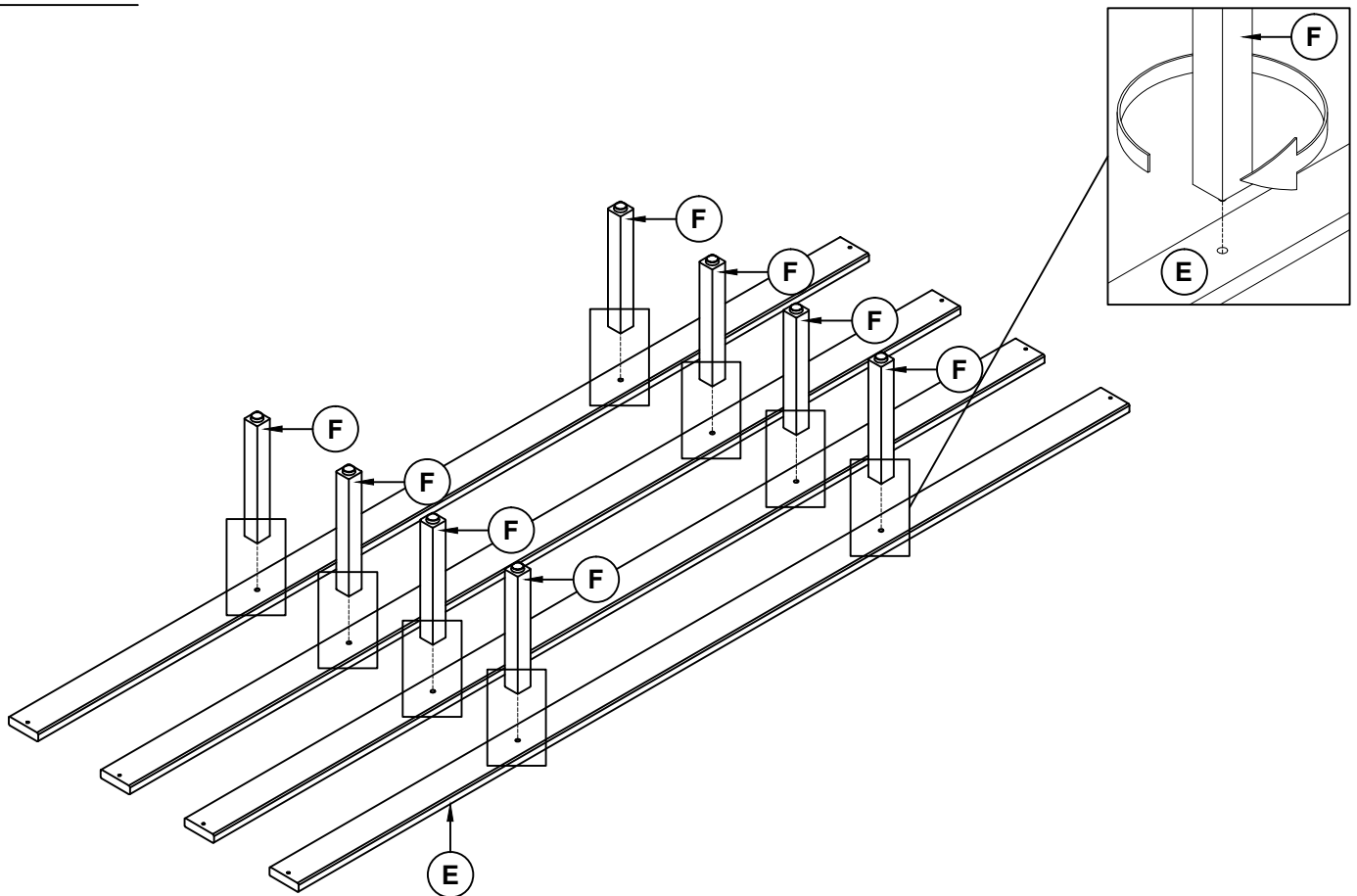
ASSEMBLY INSTRUCTIONS

223121KW (B1&B2) - BOX 1 & BOX 2

STEP 3



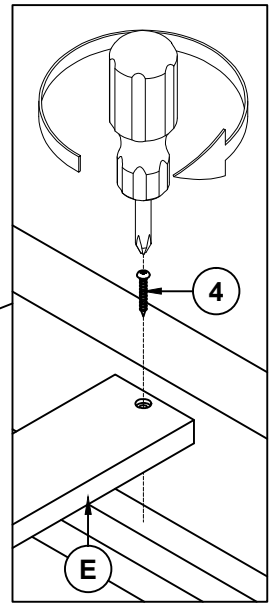
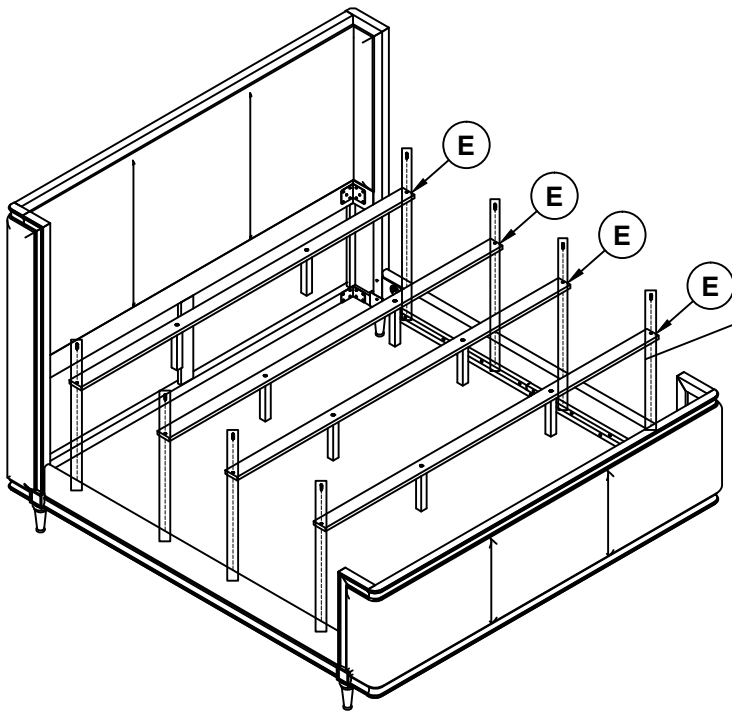
STEP 4



ITEM: 223121KW (B1&B2)

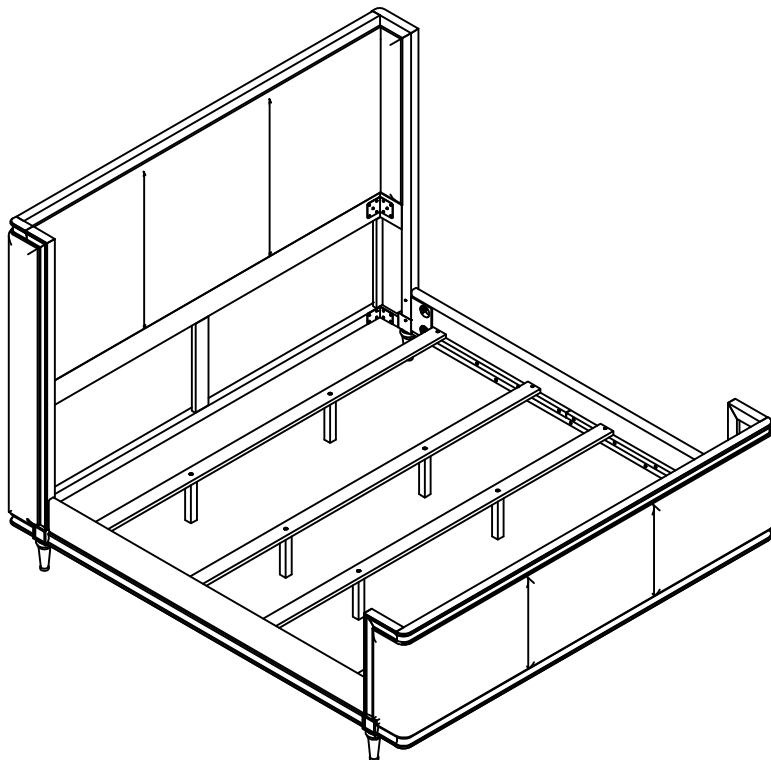
ASSEMBLY INSTRUCTIONS

STEP 5



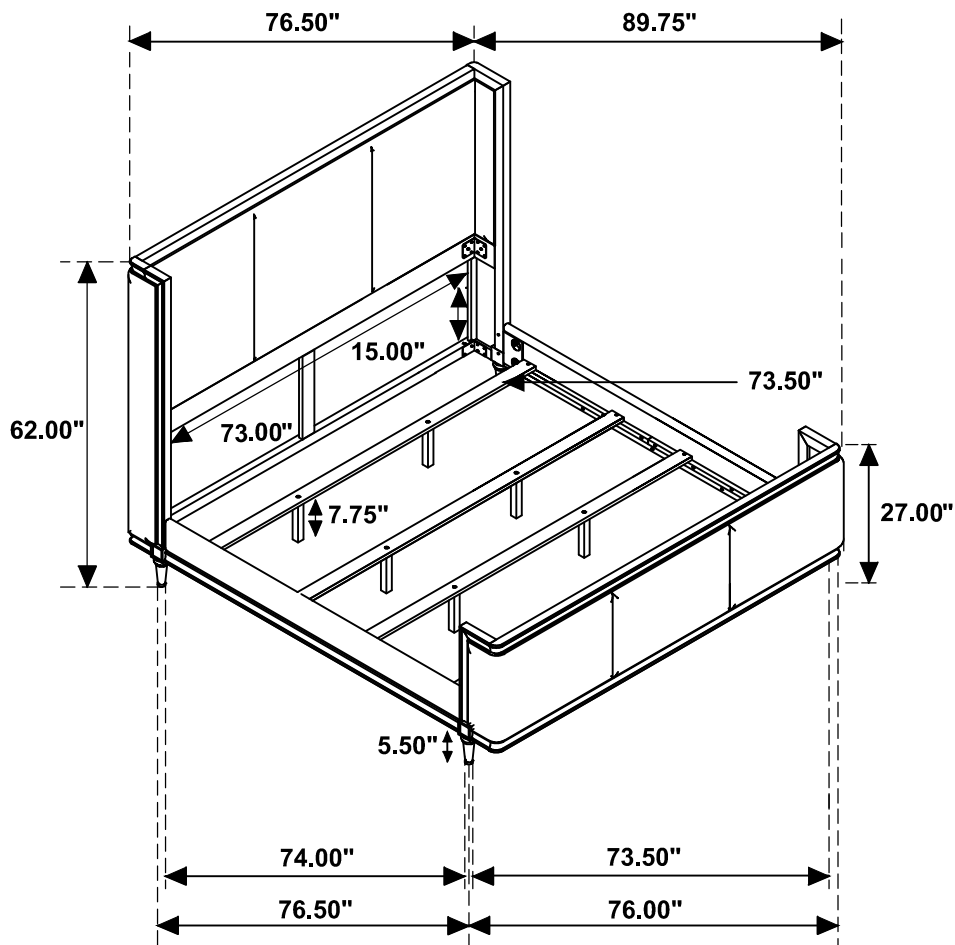
STEP 6

COMPLETE



ITEM: 223121KW (B1&B2)

Inner Size : 73.00"W X 85.00"D



Note : Dimension tolerance $\pm 5\%$