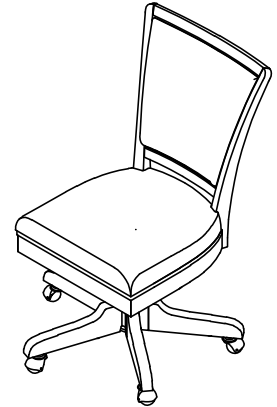


Warning :

- Be sure to check all packing material carefully for small parts, which may have come loose inside the carton during shipment.
- To prevent possible scratches and damage, this furniture **MUST BE ASSEMBLED BY TWO PEOPLE** on a soft surface such as a blanket or carpet.

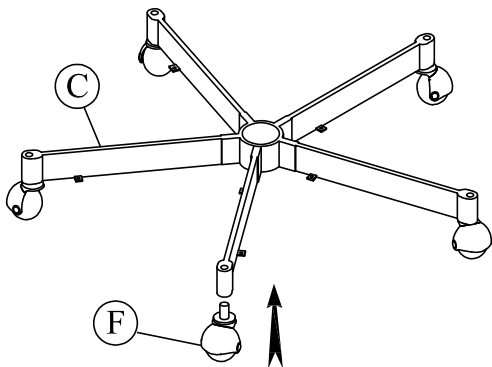


46238
Upholstered Desk Chair

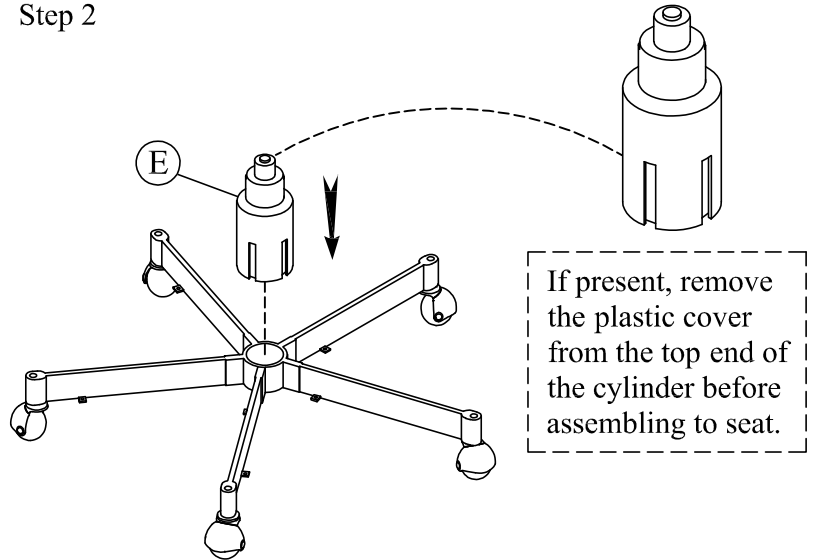
Components and Hardware List

<p>Chair Seat & Back</p> <p>1 pc.</p>	<p>Chair Control</p> <p>1 pc.</p>	<p>Metal Base</p> <p>1 pc.</p>	<p>Wood Cap</p> <p>5 pcs.</p>	<p>Pneumatic Cylinder & Cover</p> <p>1 pc.</p>		
<p>Caster</p> <p>5 pcs.</p>	<p>Allen Head Bolt Ø5/16 x 18 x 1-1/8"</p> <p>4 pcs.</p>	<p>Spring Washer Ø5/16 x Ø14</p> <p>4 pcs.</p>	<p>Flat Washer Ø5/16 x Ø18</p> <p>4 pcs.</p>	<p>4mm Allen Key</p> <p>1 pc.</p>	<p>M4 x 5/8" Screw</p> <p>10 pcs.</p>	<p>Tool Required (Not provided) Phillips Screwdriver</p>

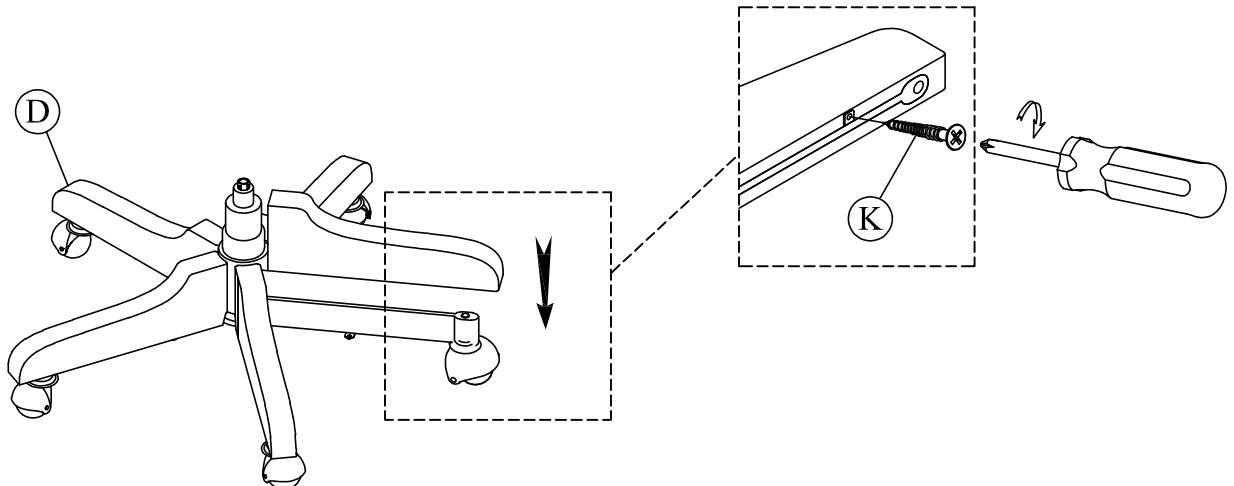
Step 1



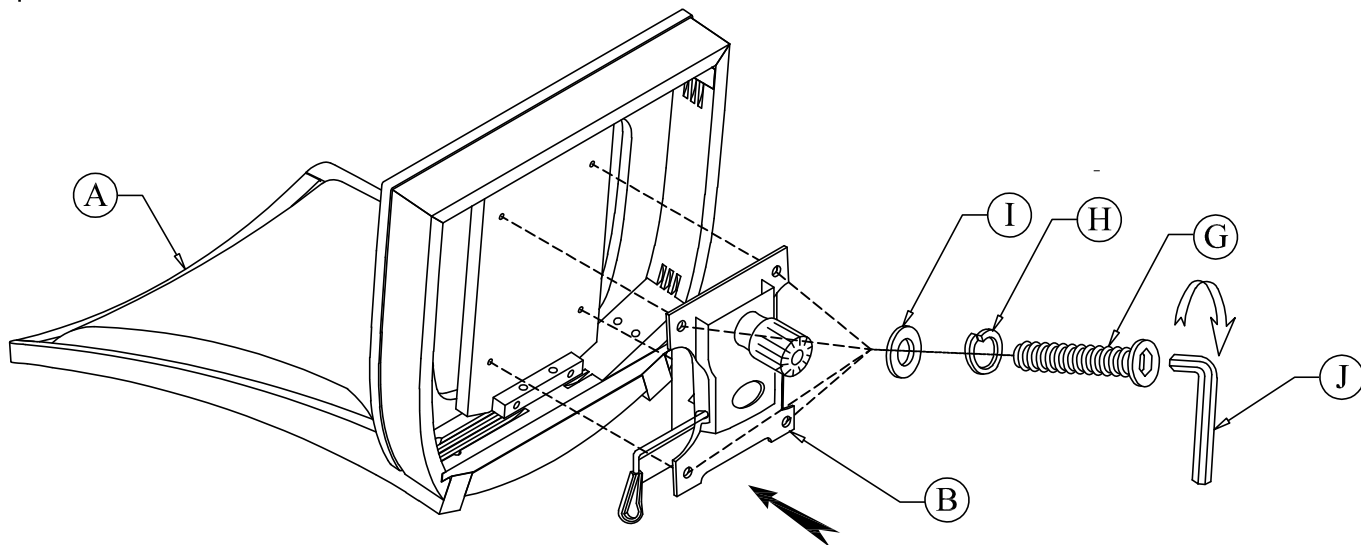
Step 2



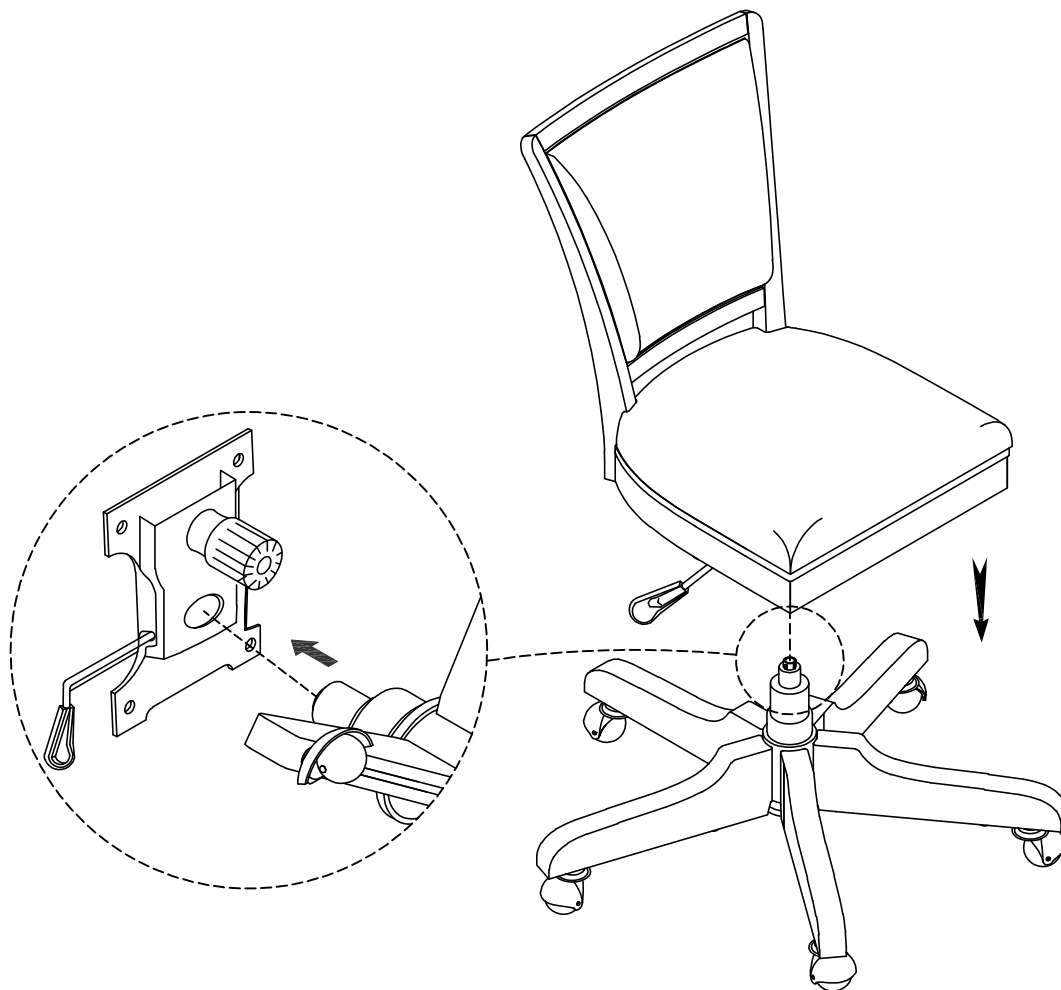
Step 3



Step 4



Step 5



Note: To prevent possible damage to some types of flooring, never roll casters on unprotected hardwood or vinyl flooring. The lift mechanism is in a locked position for shipping. To unlock, pull straight out on the handle, and then the lift cylinder can be activated by lifting the handle.