





ASSEMBLY INTRUCTIONS  
INSTRUCCIONES




Mesa De Centro

4202SET COFFEE TABLE  
4202SET MESA DE CENTRO

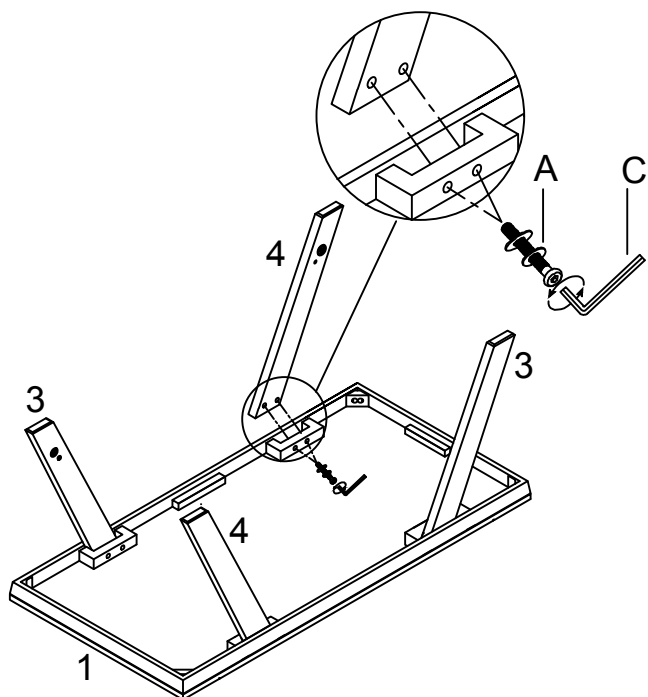
PARTS LIST

NO.	DETSRIPTION	SKETCH	Q'TY
1	COFFEE TABLE TOP		1
2	COFFEE TABLE SHELF		1
3	LEFT LEG		2
4	RIGHT LEG		2

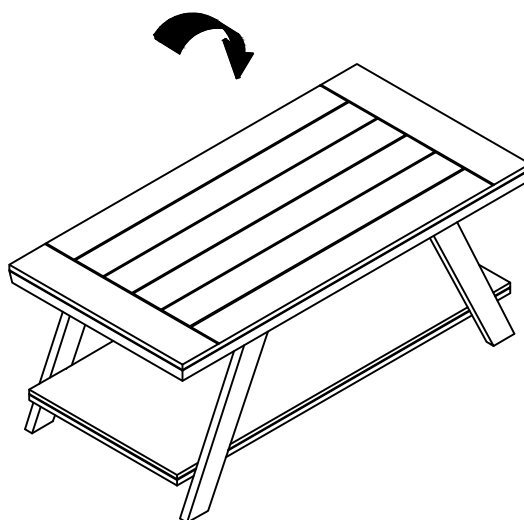
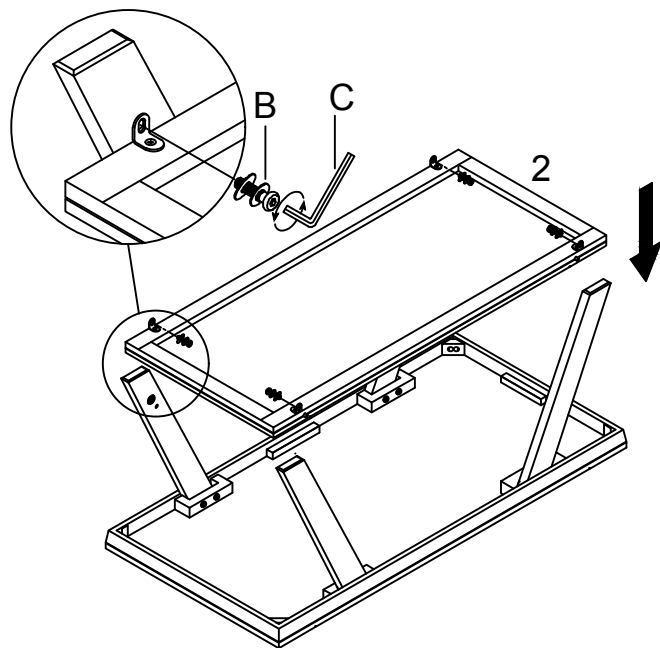
HARDWARE LIST

NO.	DRAWING	DETSRIPTION	Q'TY
A		Ø1/4"-20x1-3/8"L	8
B		Ø1/4"-20x5/8"L	4
C		M4 SMALL ALLEN KEY	1

STEP/PASO:1



STEP/PASO:2


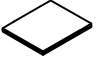




DO NOT TIGHTEN ALL BOLTS UNTIL COMPLETELY ASSEMBLED.  
NO APRETAR LOS TORNILLOS HASTA ARMAR COMPLETAMENTE.




ASSEMBLY INTRUCTIONS  
INSTRUCCIONES

4202SET END TABLE  
4202SET MESA LATERAL

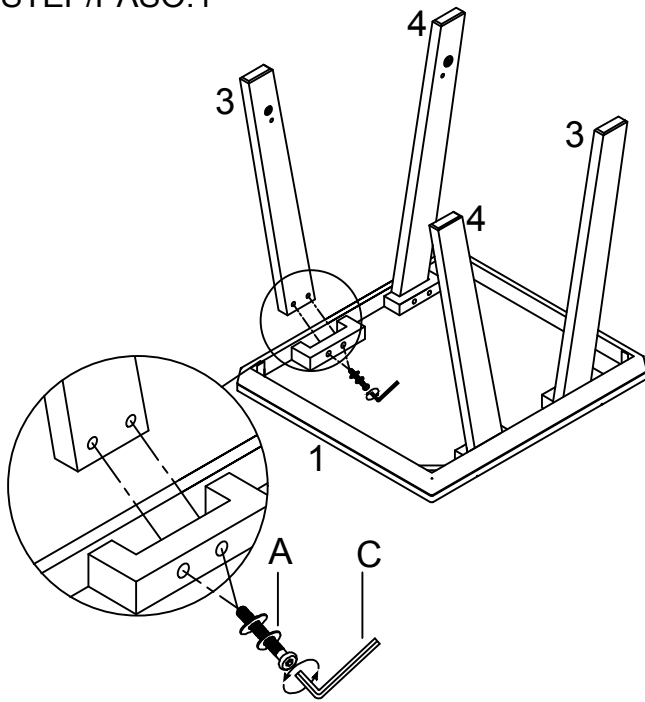
PARTS LIST

NO.	DETSRIPTION	SKETCH	Q'TY
1	END TABLE TOP		1
2	END TABLE SHELF		1
3	LEFT LEG		2
4	RIGHT LEG		2

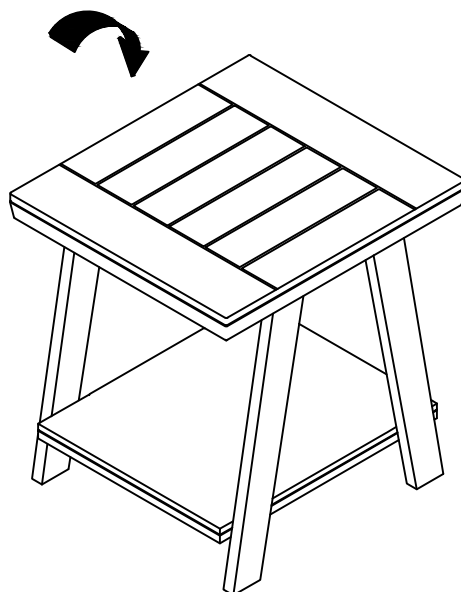
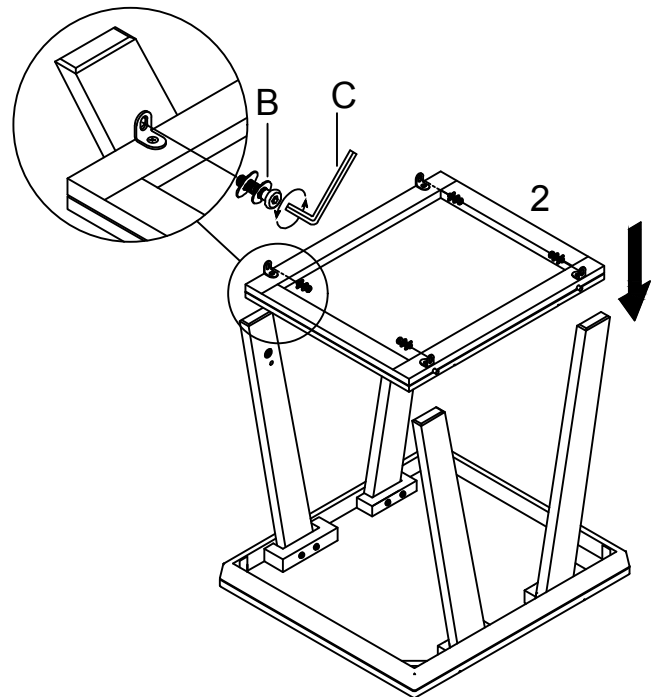
HARDWARE LIST

NO.	DRAWING	DETSRIPTION	Q'TY
A		Ø1/4"-20x1-3/8"L	8
B		Ø1/4"-20x5/8"L	4
C		M4 SMALL ALLEN KEY	1

STEP/PASO:1



STEP/PASO:2



DO NOT TIGHTEN ALL BOLTS UNTIL COMPLETELY ASSEMBLED.  
NO APRETAR LOS TORNILLOS HASTA ARMAR COMPLETAMENTE.