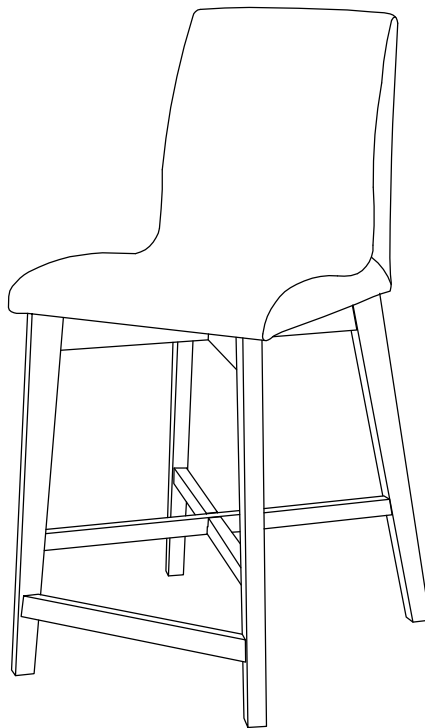


ASSEMBLY INSTRUCTIONS
COASTER FINE FURNITURE



Fine Furniture for every stage of life

106599
Counter Height Stool

ITEM: **106599**



ASSEMBLY INSTRUCTIONS

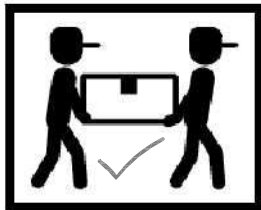
ASSEMBLY TIPS :

1. Remove hardware from box and sort by size.
2. Please check to see that all hardware and parts are present prior to start of assembly.
3. Please follow attached instructions in the same sequence as numbered to assure fast & easy assembly.



WARNING !


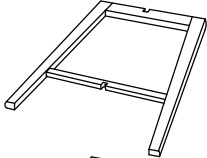
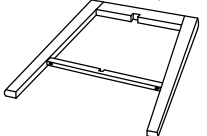


1. Don't attempt to repair or modify parts that are broken or defective. Please contact the store immediately.
2. This product is for home use only and not intended for commercial establishments.



ASSEMBLY TIME

15 MINUTES

PARTS IDENTIFICATION

A	SEAT AND BACK		1PC
B	LOWER LEG FRAME		1PC
C	UPPER LEG FRAME		1PC
D	FRONT STRETCHER		1PC
E	WOOD CLEAT		2PCS

ITEM : 106599

ASSEMBLY INSTRUCTIONS



ASSEMBLY TIPS :




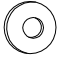

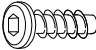
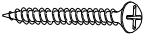
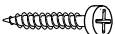
1. Remove hardware from box and sort by size.
2. Please check to see that all hardware and parts are present prior to start of assembly.
3. Please follow attached instructions in the same sequence as numbered to assure fast & easy assembly.



WARNING !

1. Don't attempt to repair or modify parts that are broken or defective. Please contact the store immediately.
2. This product is for home use only and not intended for commercial establishments.

HARDWARE IDENTIFICATION

1	ALLEN WRENCH (M4 x 110MM - BLK)		1PC
2	LONG BOLT (M6 x 70mm - RBW)		4PCS
3	LOCK WASHER (1/4" - BLK)		4PCS
4	FLAT WASHER (M6 x 13MM - RBW)		4PCS
5	MEDIUM BOLT (M7 x 50MM - ZB)		1PC
6	SHORT BOLT (M7 x 20MM - RB)		1PC
7	PAN HEAD SCREW (#8 x 1 1/2" - BLK)		2PCS
8	FLAT HEAD SCREW (M4 x 30mm - BLK)		8PCS

NOTE :

Phillips head screw driver is required in the assembly process ; However, manufacturer not provide this item.
Quantities shown are for one chair.

ITEM: **106599**

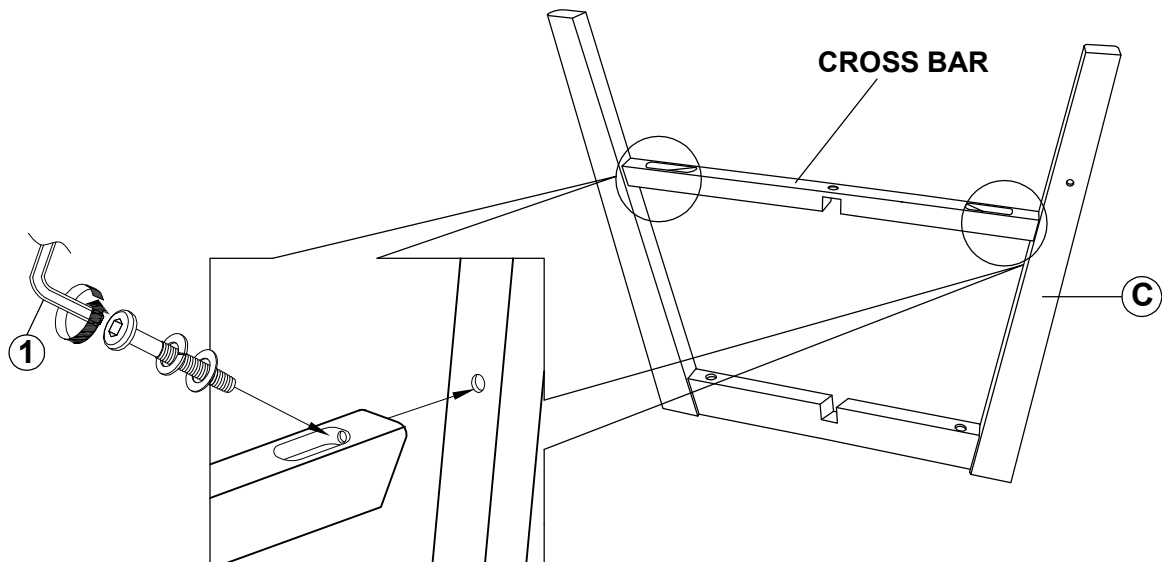


ASSEMBLY INSTRUCTIONS

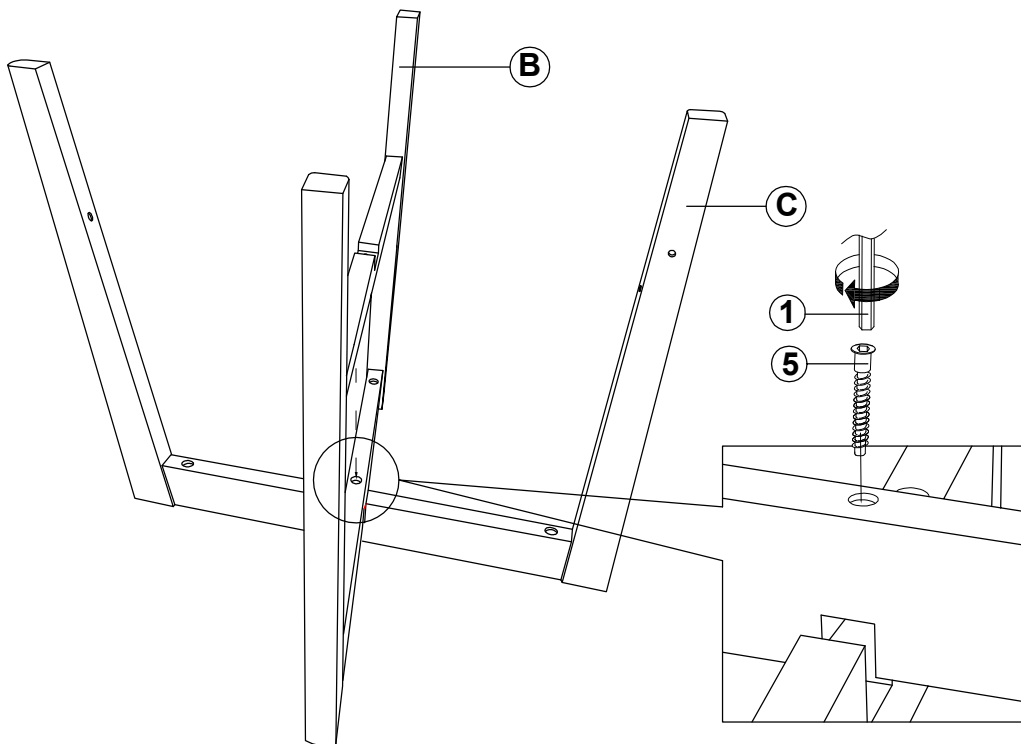
STEP 1

ATTENTION !

Remove the cross bar from upper leg frame (C) by unscrewing the hardware.
(Please keep the hardware to be used in STEP 3)



STEP 2

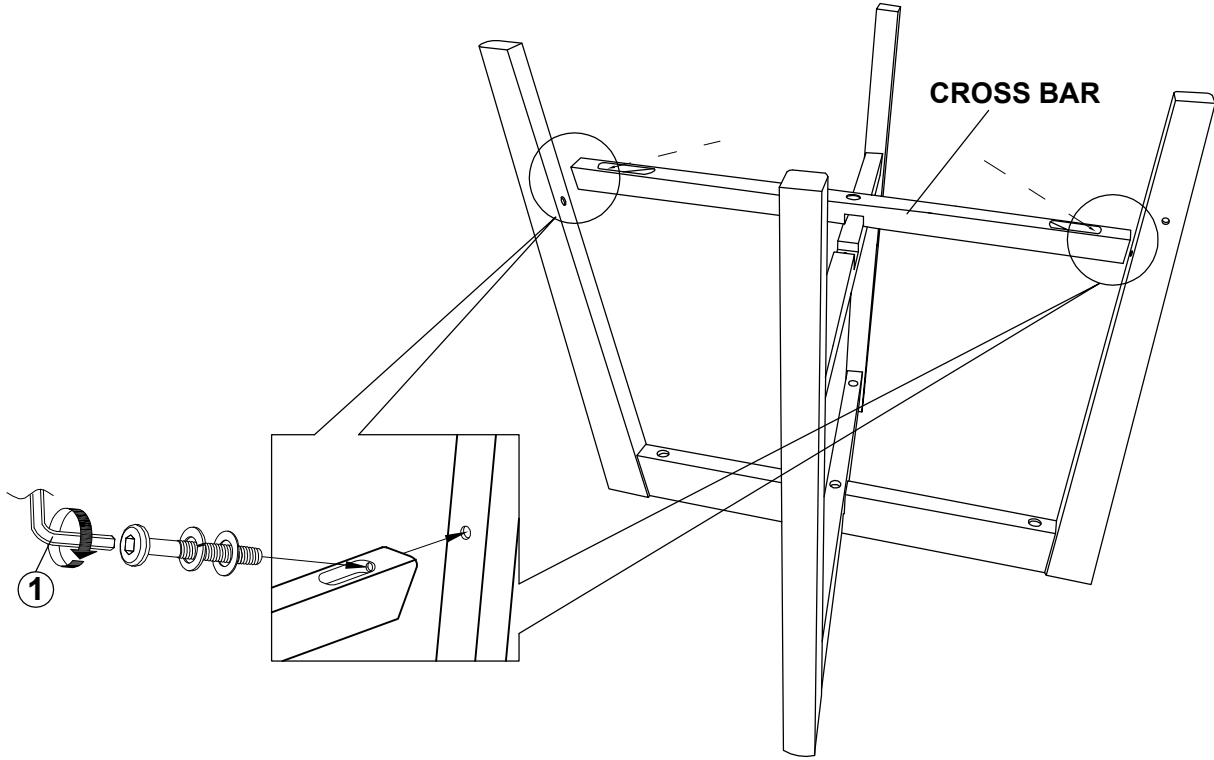


ITEM: **106599**

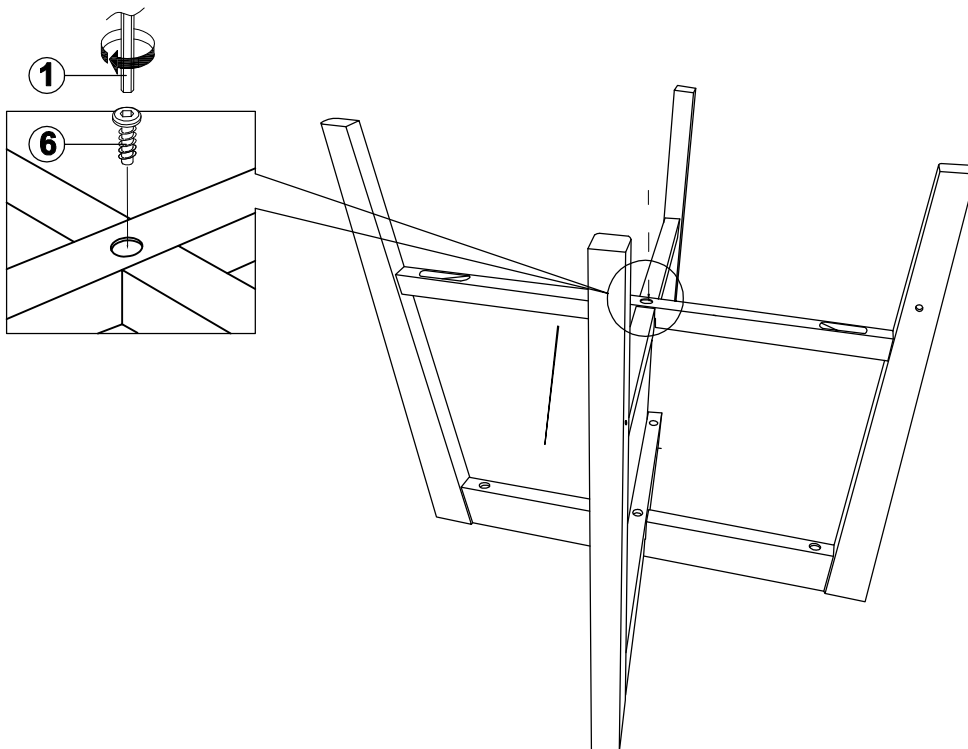
ASSEMBLY INSTRUCTIONS



STEP 3



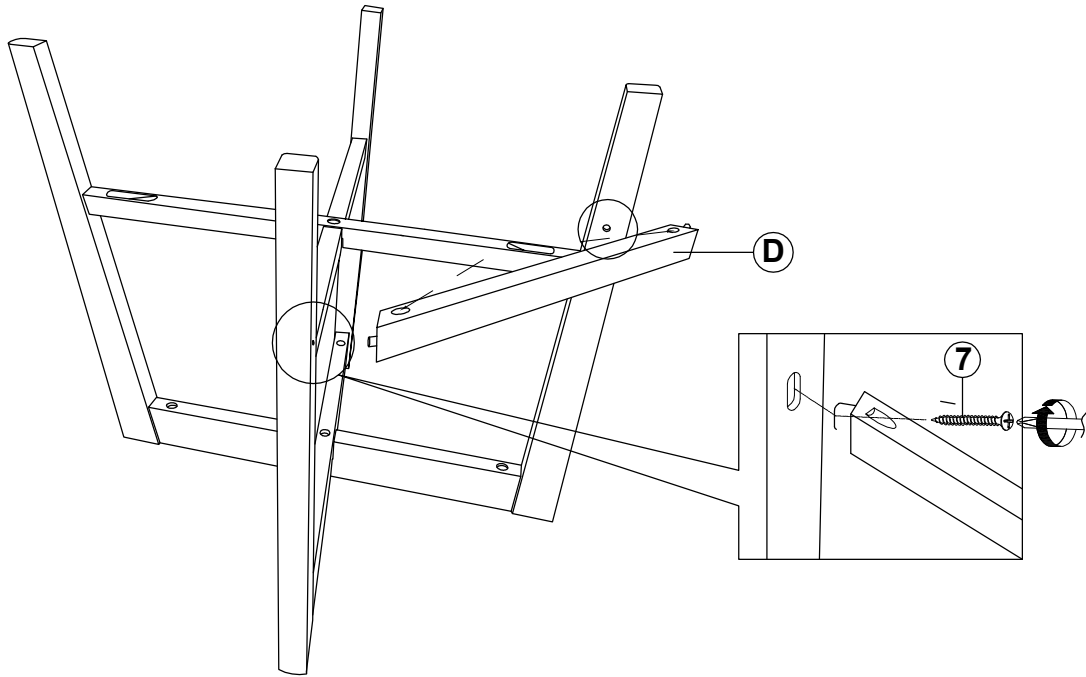
STEP 4



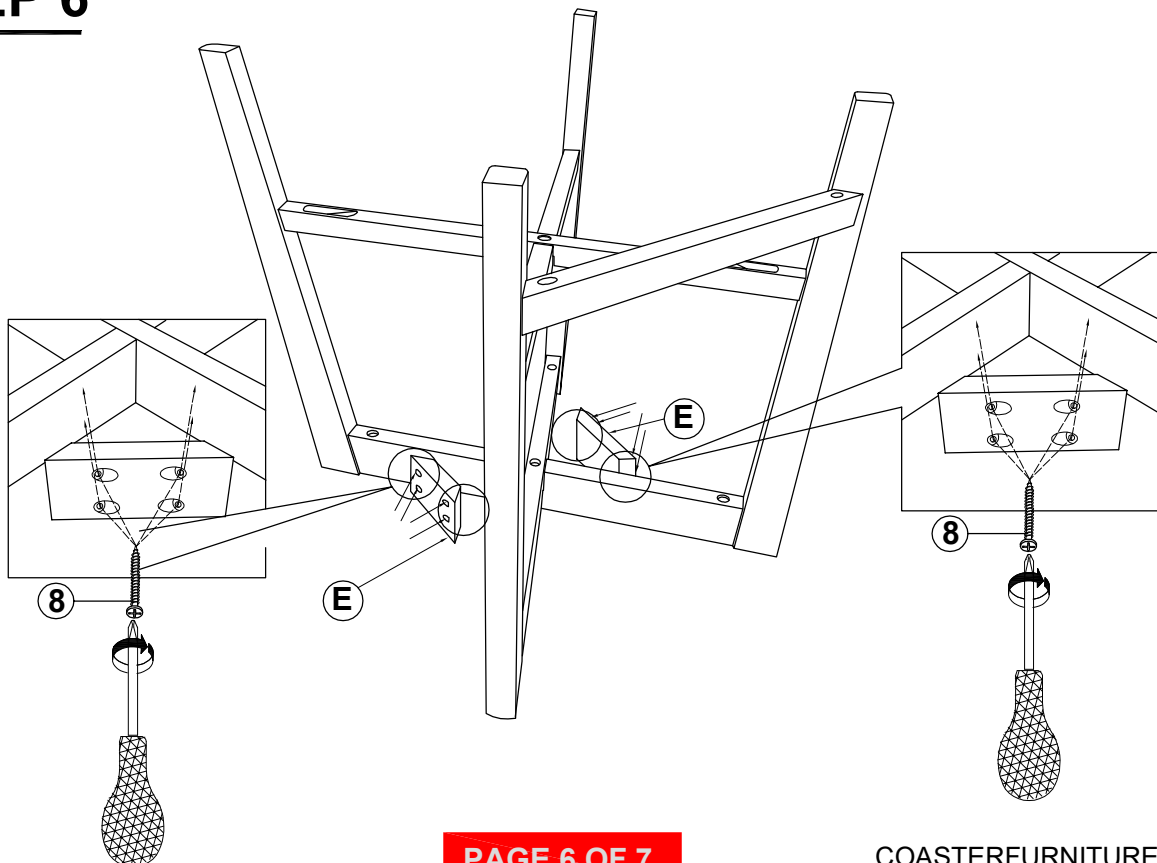
ITEM: **106599**

ASSEMBLY INSTRUCTIONS

STEP 5



STEP 6

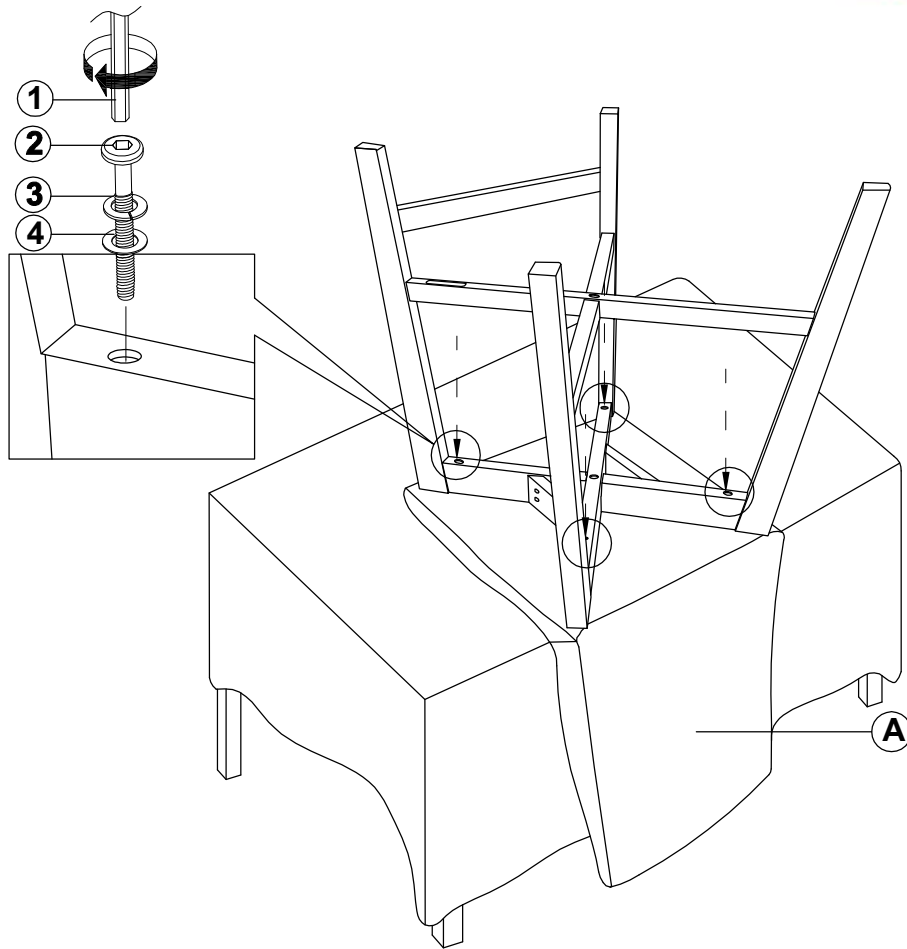


ITEM: **106599**

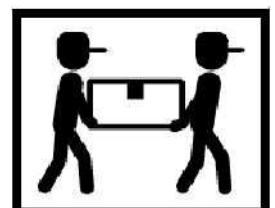
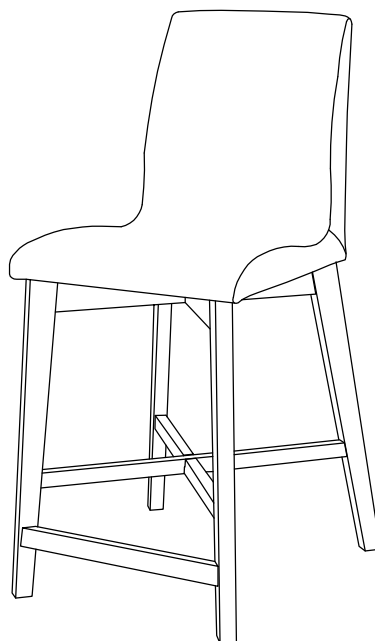


ASSEMBLY INSTRUCTIONS

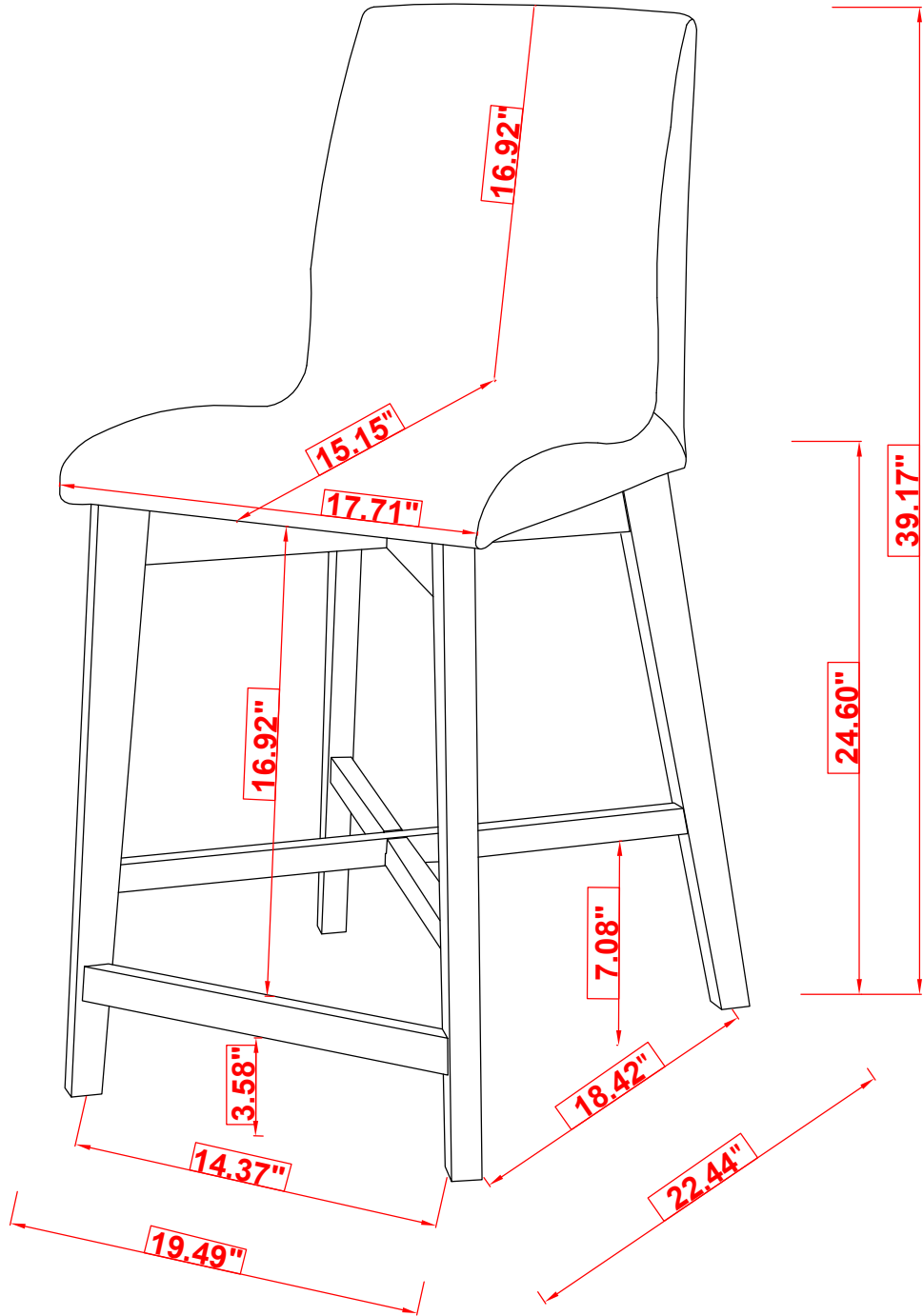
STEP 7



STEP 8
COMPLETE



ITEM : 106599



Note : Dimension tolerance ±5%