



ASSEMBLY INSTRUCTIONS COASTER FINE FURNITURE



Fine Furniture for every stage of life

121714
Dining Chair

REVISION 0 : 07/07/2018
REVISION 1 : 10/13/2020

PAGE 1 OF 3

COASTERFURNITURE.COM

ITEM: **121714**



ASSEMBLY INSTRUCTIONS

ASSEMBLY TIPS:

1. Remove hardware from box and sort by size.
2. Please check to see that all hardware and parts are present prior to start of assembly.
3. Please follow attached instructions in the same sequence as numbered to assure fast & easy assembly.



WARNING!

1. Don't attempt to repair or modify parts that are broken or defective. Please contact the store immediately.
2. This product is for home use only and not intended for commercial establishments.



ASSEMBLY TIME

15 MINUTES

PARTS IDENTIFICATION

A SEAT AND BACK



1PC

B FRONT LEG



2PCS

C BACK LEG



2PCS

HARDWARE IDENTIFICATION

1 ALLEN WRENCH
(4MM - RBW)



1PC

2 LONG BOLT
(Ø5/16" x 2" - RBW)



4PCS

3 SHORT BOLT
(Ø5/16" x 1-1/2" - RBW)



4PCS

4 LOCK WASHER
(Ø5/16" - RBW)



8PCS

5 FLAT WASHER
(Ø5/16" - RBW)

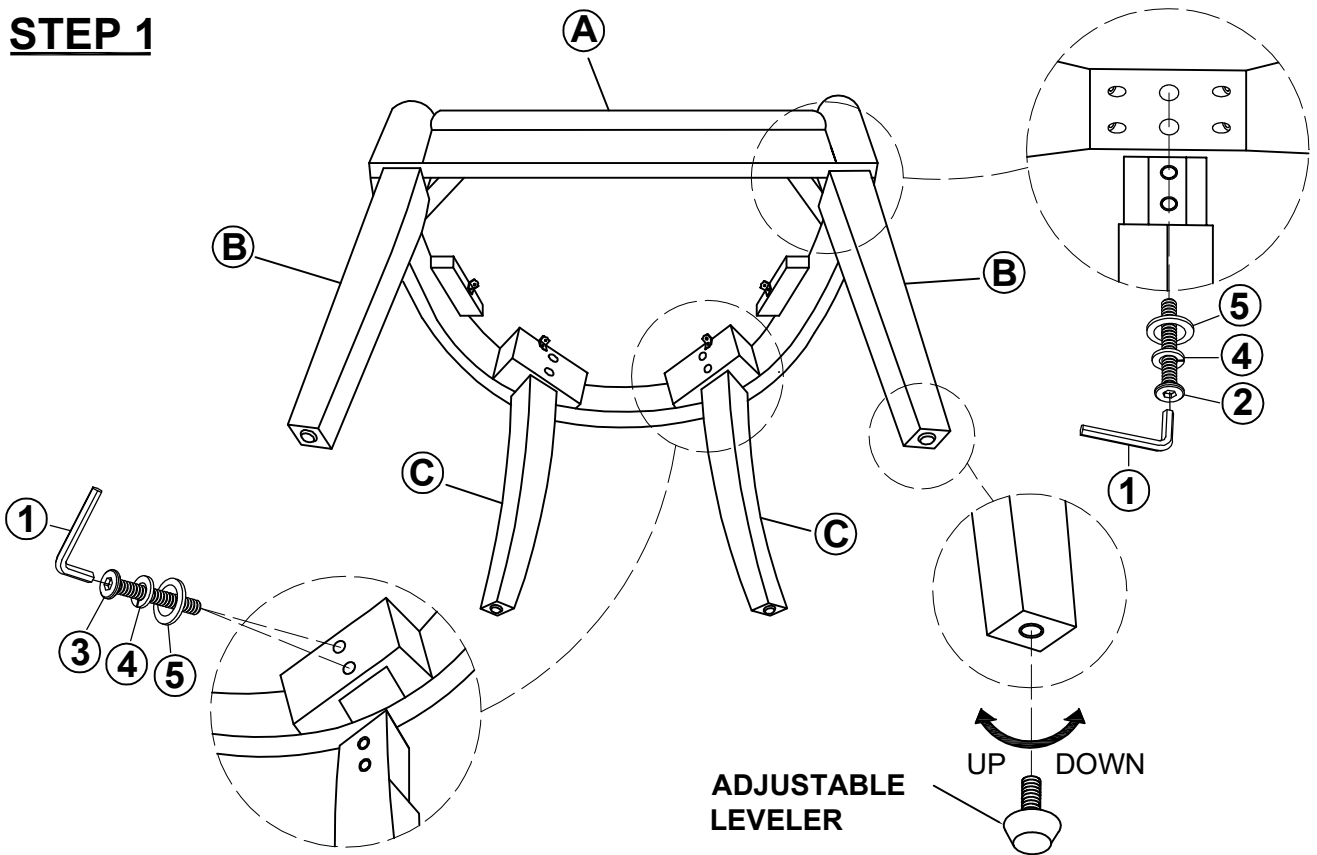


8PCS

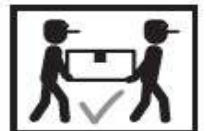
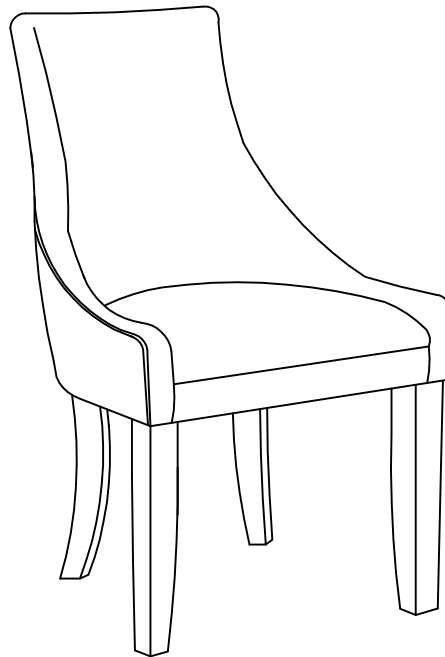
ITEM: **121714**



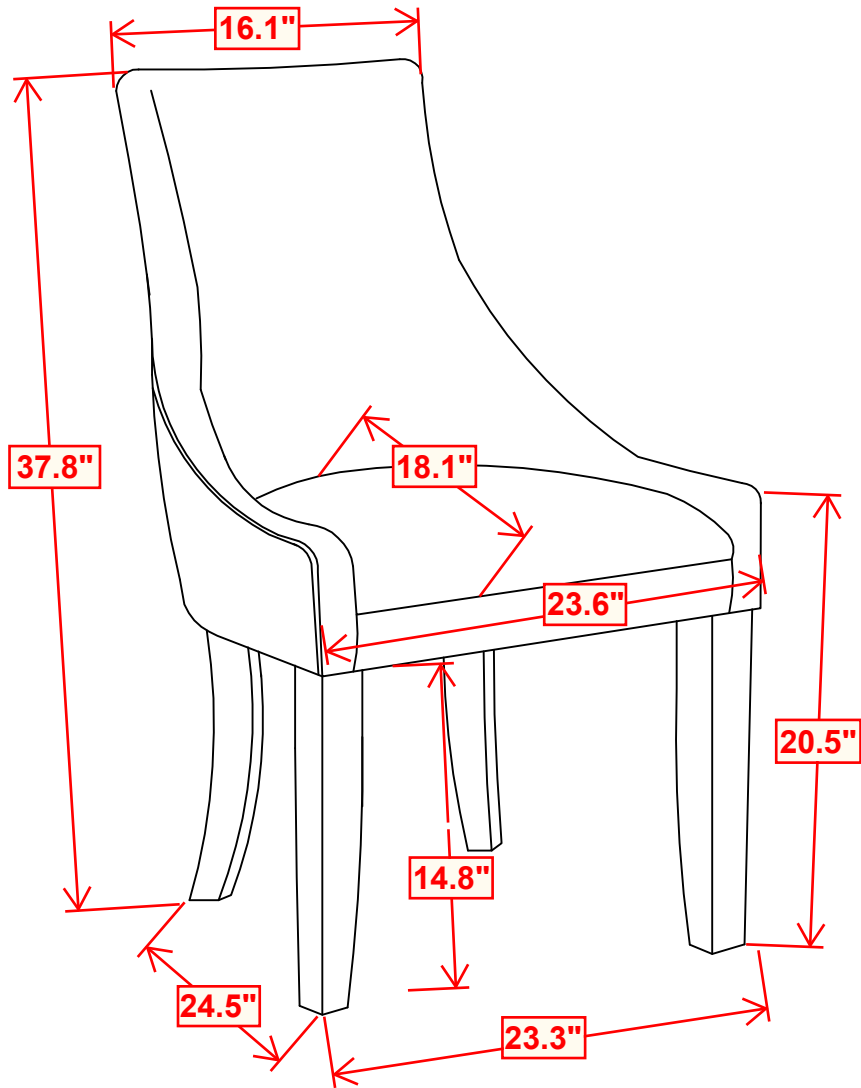
ASSEMBLY INSTRUCTIONS
STEP 1



STEP 2
COMPLETE



ITEM: 121714



Note : Dimension tolerance $\pm 5\%$