



# ASSEMBLY INSTRUCTIONS

## COASTER FINE FURNITURE



*Fine Furniture for every stage of life*

# 121231(B1&B2)

## Dining Table

REVISION 0 : 05/30/2018  
REVISION 1 : 09/04/2018  
REVISION 2 : 07/01/2020

# ITEM:121231(B1&B2)



## ASSEMBLY INSTRUCTIONS

### ASSEMBLY TIPS:

1. Remove hardware from box and sort by size.
2. Please check to see that all hardware and parts are present prior to start of assembly.
3. Please follow attached instructions in the same sequence as numbered to assure fast & easy assembly.

### WARNING!



1. Don't attempt to repair or modify parts that are broken or defective. Please contact the store immediately.
2. This product is for home use only and not intended for commercial establishments.

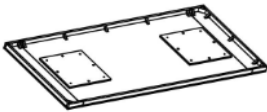
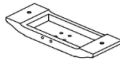





ASSEMBLY TIME

10 MINUTES

## PARTS IDENTIFICATION

### B1 ( BOX 1 )








A	TOP		1PC	D	BASE		2PCS
B	LEAF		2PCS	E	CROSS BAR		1PC
C	MOUNTING PLATE		2PCS				

### B2 ( BOX 2 )

F	PEDESTAL COLUMN		2PCS
---	-----------------	---	------

## HARDWARE IDENTIFICATION

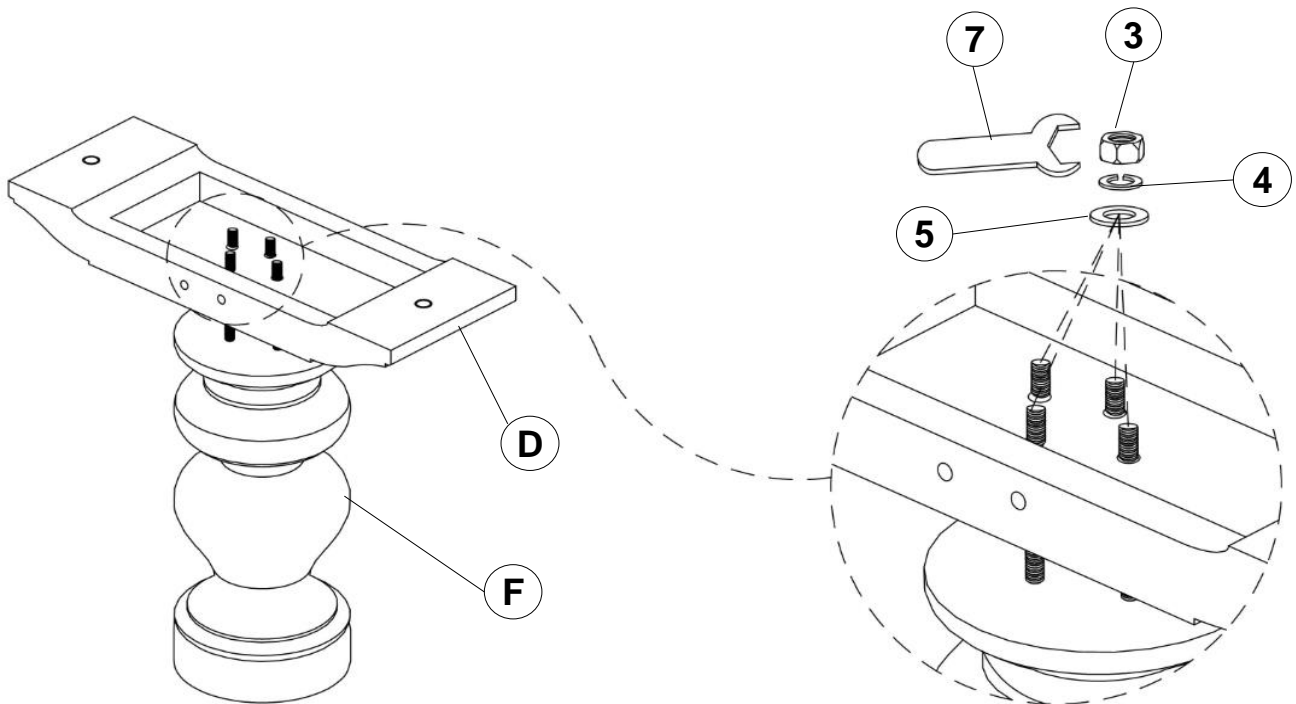
### Z-B1(BOX 1) - HARDWARE PACK IS LOCATED IN 121231(B1)

1	LONG BOLT (5/16" x 45mm - BLK)		12PCS	5	FLAT WASHER (5/16" x 22D x 2mm - BLK)		28PCS
2	SHORT BOLT (5/16" x 38mm - BLK)		8PCS	6	ALLEN WRENCH (4mm - BLK)		1PC
3	HEX NUT (5/16" x 12mm - BLK)		8PCS	7	WRENCH (12mm - BLK)		1PC
4	LOCK WASHER (5/16" x 12D x 1.1mm - BLK)		28PCS				

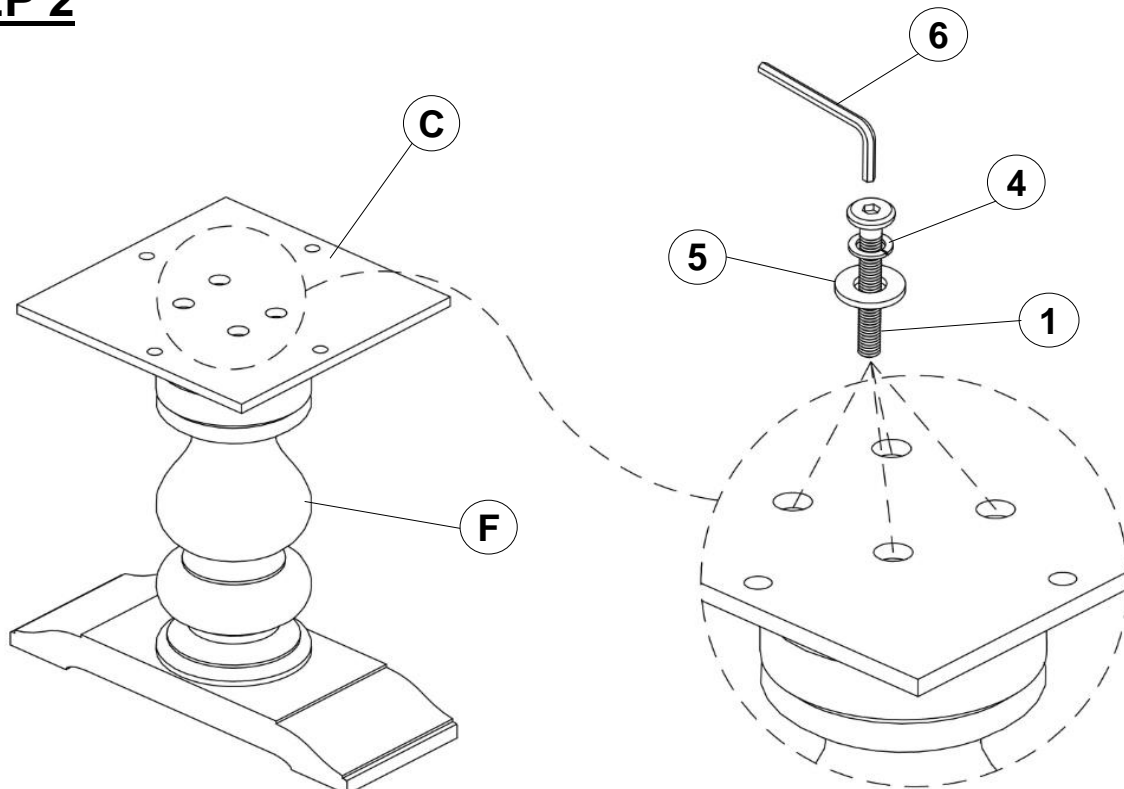
ITEM: **121231(B1&B2)**



**ASSEMBLY INSTRUCTIONS**  
**STEP 1**



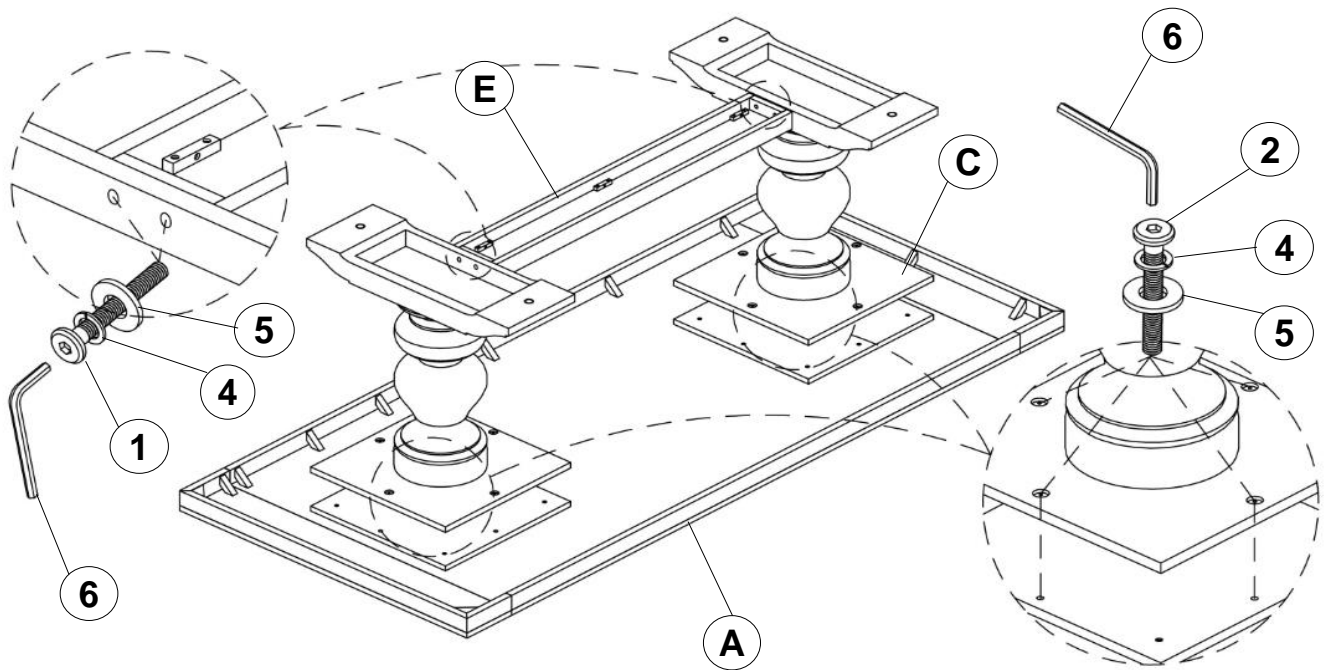
**STEP 2**



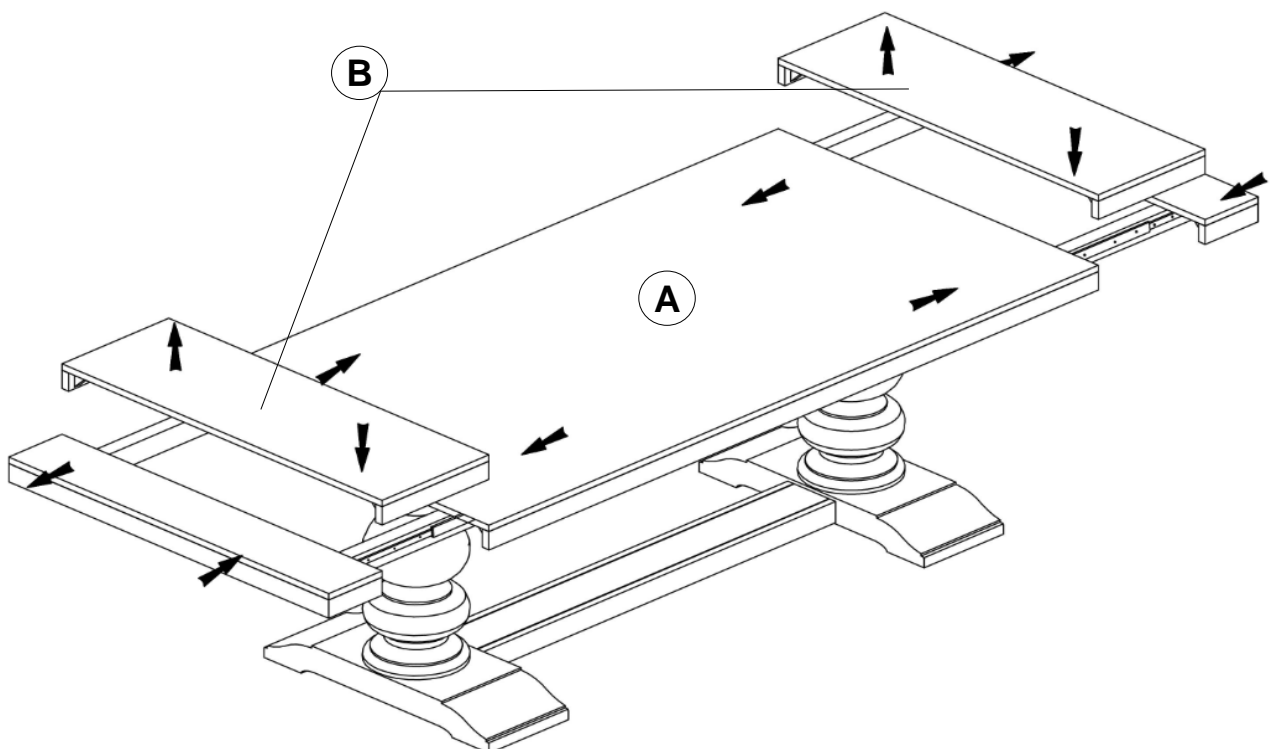
ITEM: **121231(B1&B2)**



**ASSEMBLY INSTRUCTIONS**  
**STEP 3**



**STEP 4**

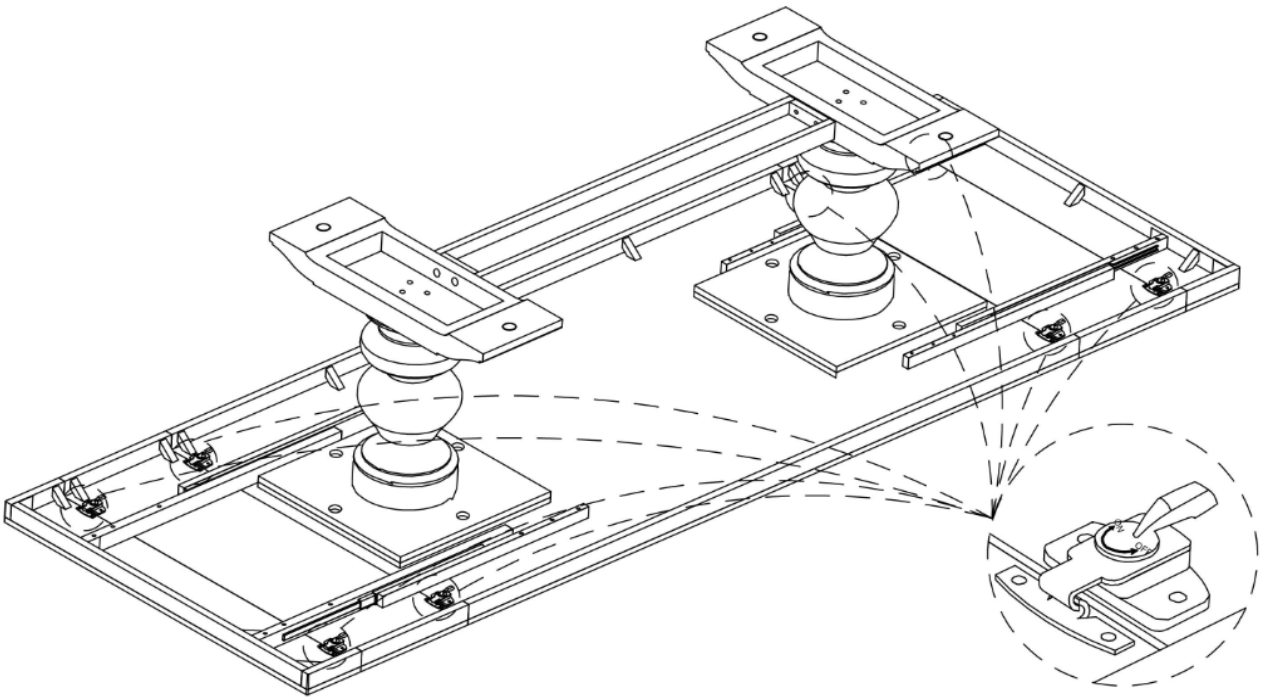


ITEM: **121231(B1&B2)**



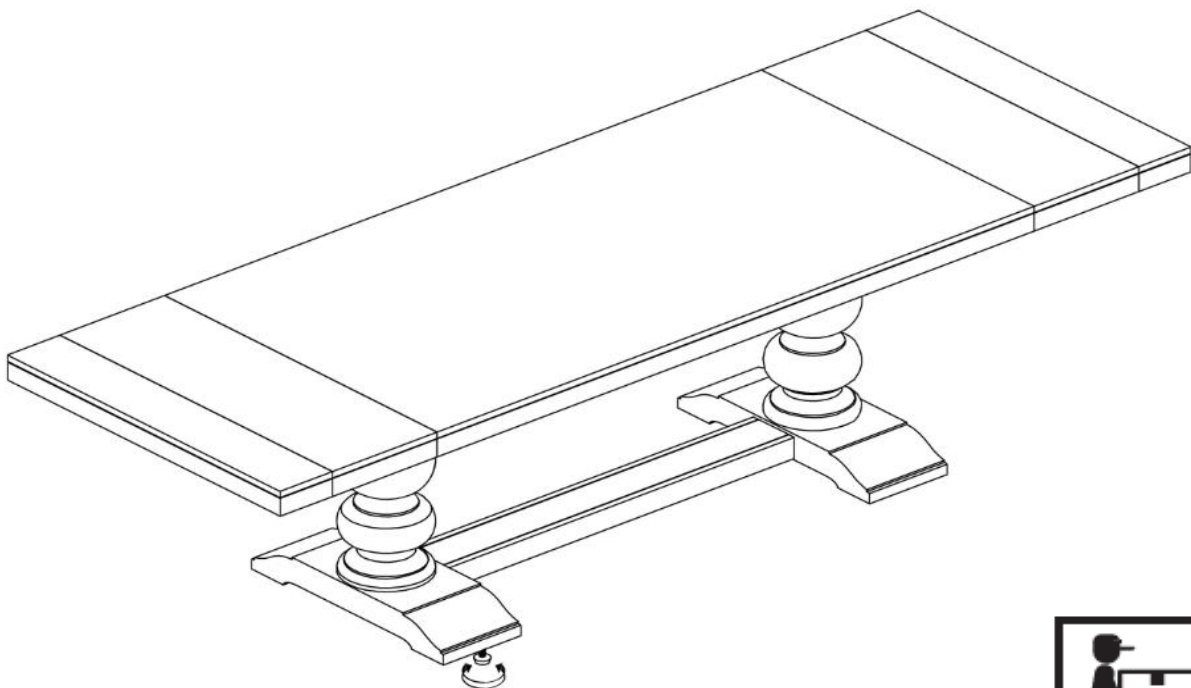
**ASSEMBLY INSTRUCTIONS**

**STEP 5**



**STEP 6**

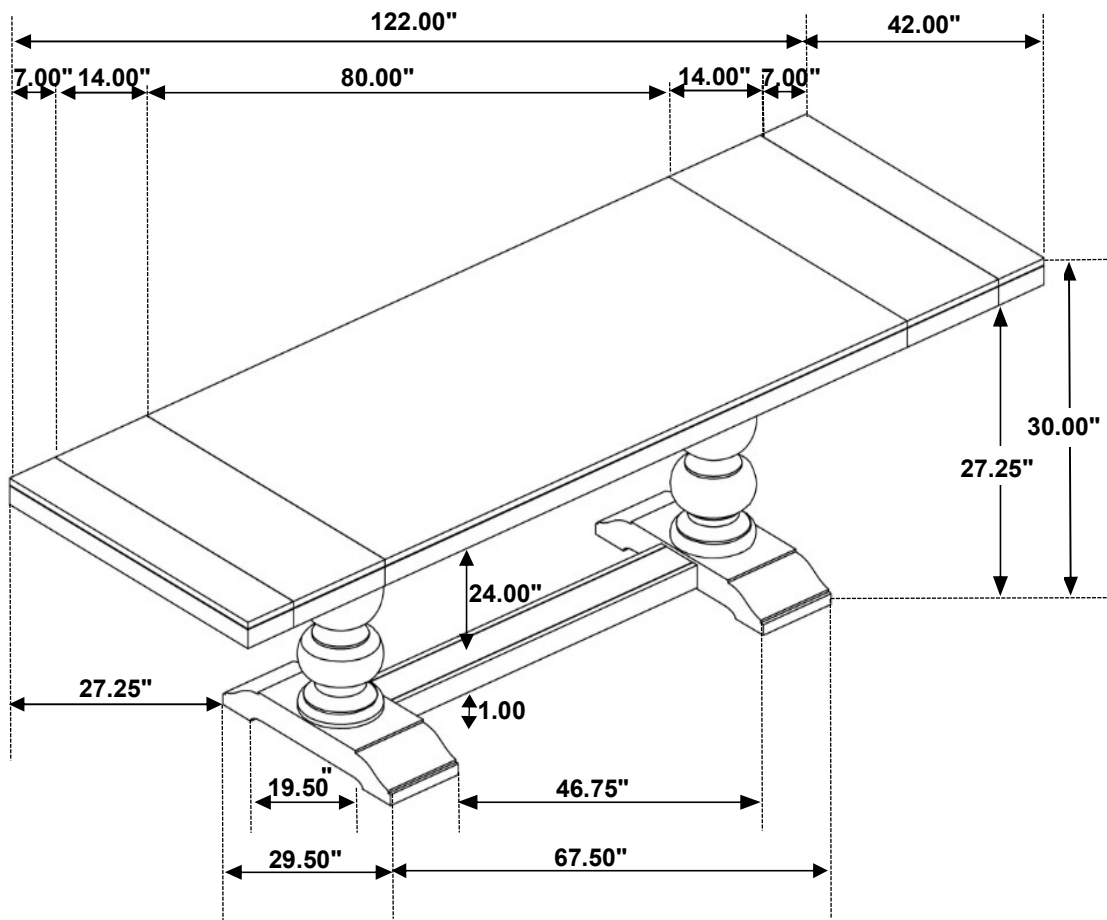
**COMPLETE**



ADJUSTABLE LEVELER



# ITEM: 121231(B1&B2)



Note: Dimension tolerance  $\pm 5\%$