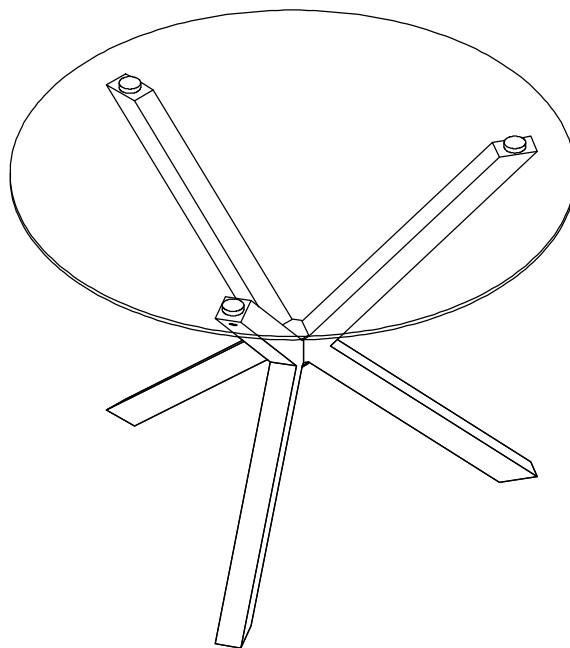


ASSEMBLY INSTRUCTIONS
COASTER FINE FURNITURE



Fine Furniture for every stage of life

120760
DINING TABLE

REVISION 0 : 12/12/2019
REVISION 1 : 01/13/2020

ITEM:120760



ASSEMBLY INSTRUCTIONS

ASSEMBLY TIPS:

1. Remove hardware from box and sort by size.
2. Please check to see that all hardware and parts are present prior to start of assembly.
3. Please follow attached instructions in the same sequence as numbered to assure fast & easy assembly.



WARNING!

1. Don't attempt to repair or modify parts that are broken or defective. Please contact the store immediately.
2. This product is for home use only and not intended for commercial establishments.

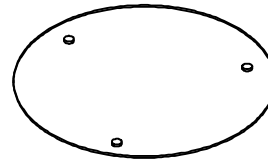


ASSEMBLY TIME 15 MINUTES

PARTS IDENTIFICATION

B1: TOP

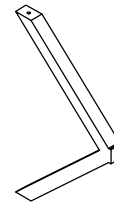
AN GLASS TOP



1PC

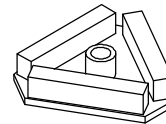
B2: BASE

BN METAL LEG



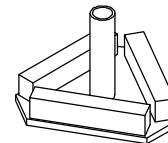
3PCS

CN TRIANGLE TOP COVER



1PC

DN TRIANGLE BOTTOM COVER



1PC

HARDWARE IDENTIFICATION

1 SHORT BOLT
(1/4" x 32mm SR)



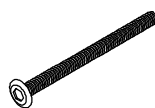
3PCS

3 ADHESIVE



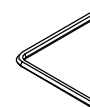
3PCS

2 LONG BOLT
(1/4" x 56mm SR)



1PC

4 ALLEN WRENCH
(4mm)



1PC

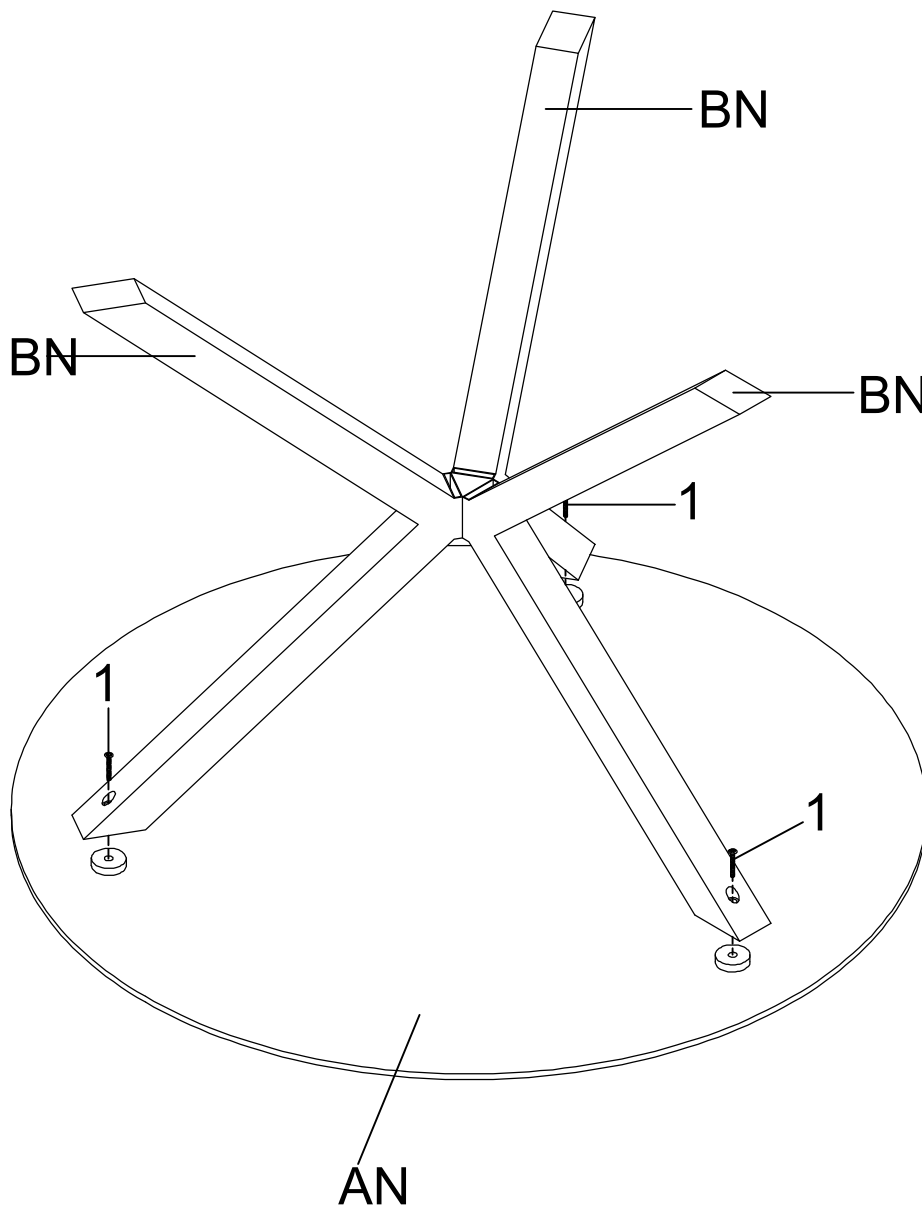
HARDWARE PACK IS LOCATED IN 120760 (B2)

ITEM:120760

ASSEMBLY INSTRUCTIONS

STEP 1

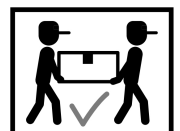
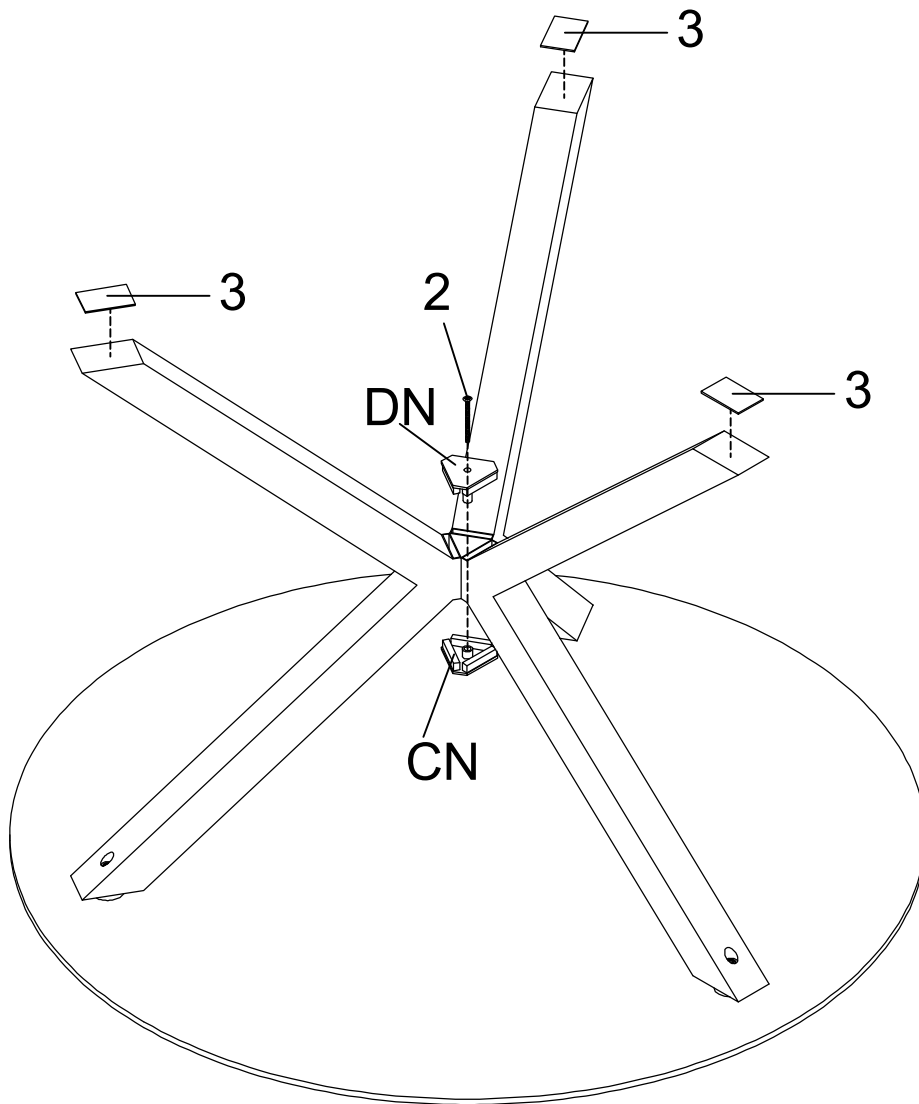
Do not tighten until each step is completed or instructed.



ITEM:120760

ASSEMBLY INSTRUCTIONS

STEP 2



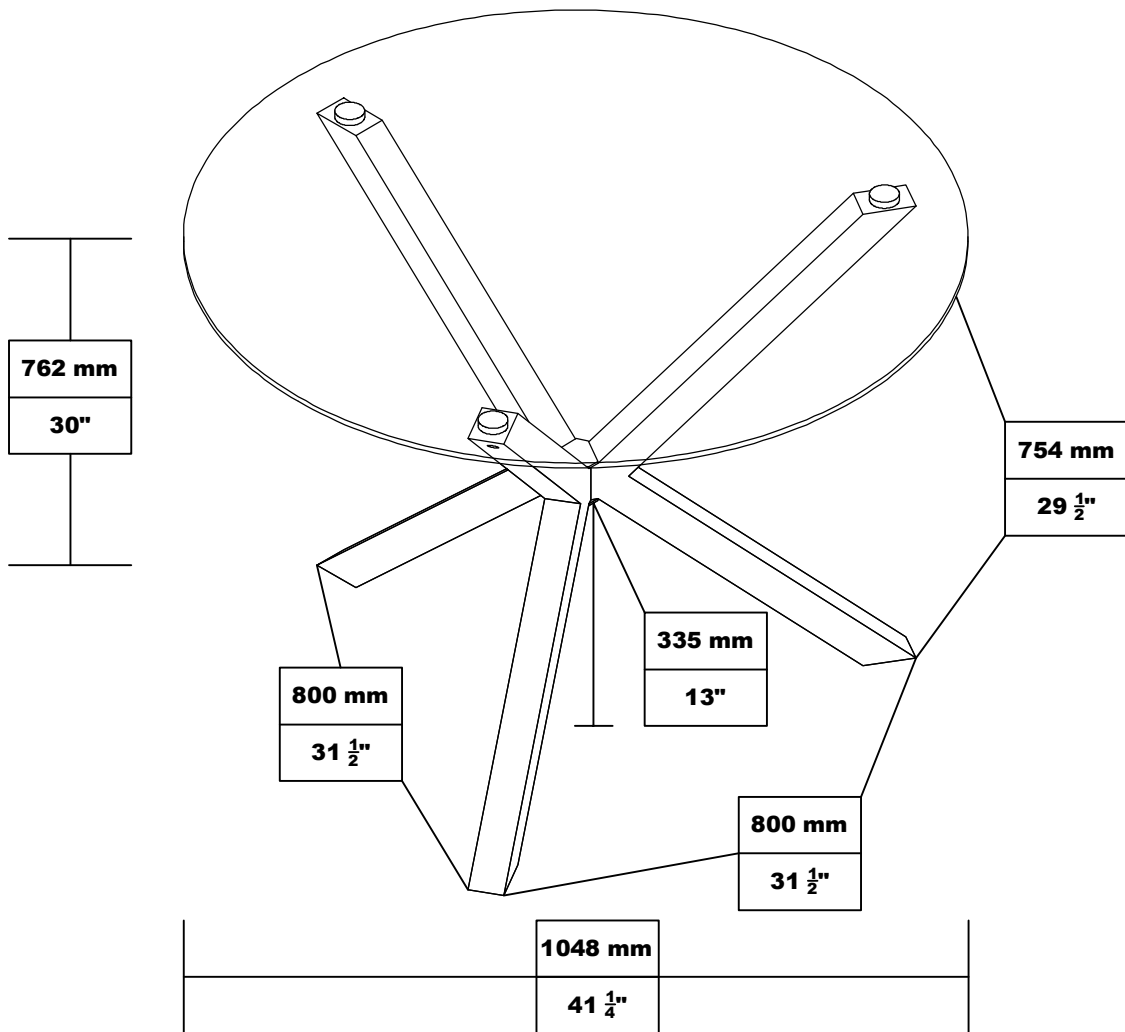
ITEM:120760

ASSEMBLY INSTRUCTIONS



Product Size : 1048 DIA X 762H (MM)

Product Size : 41 $\frac{1}{4}$ " DIA X 30"



Note : Dimension tolerance $\pm 5\%$