



ASSEMBLY INSTRUCTIONS
COASTER FINE FURNITURE



Fine Furniture for every stage of life

110381(B1&B2)
Dining Table

ITEM: 110381(B1&B2)

ASSEMBLY INSTRUCTIONS

ASSEMBLY TIPS:

1. Remove hardware from box and sort by size.
2. Please check to see that all hardware and parts are present prior to start of assembly.
3. Please follow attached instructions in the same sequence as numbered to assure fast & easy assembly.

WARNING!



1. Don't attempt to repair or modify parts that are broken or defective. Please contact the store immediately.
2. This product is for home use only and not intended for commercial establishments.




ASSEMBLY TIME

15 MINUTES

PART IDENTIFICATION

B1 (BOX 1)

A TOP  1PC




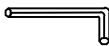
B LEAF  1PC

B2 (BOX 2)

C LEG  4PCS

HARDWARE IDENTIFICATION

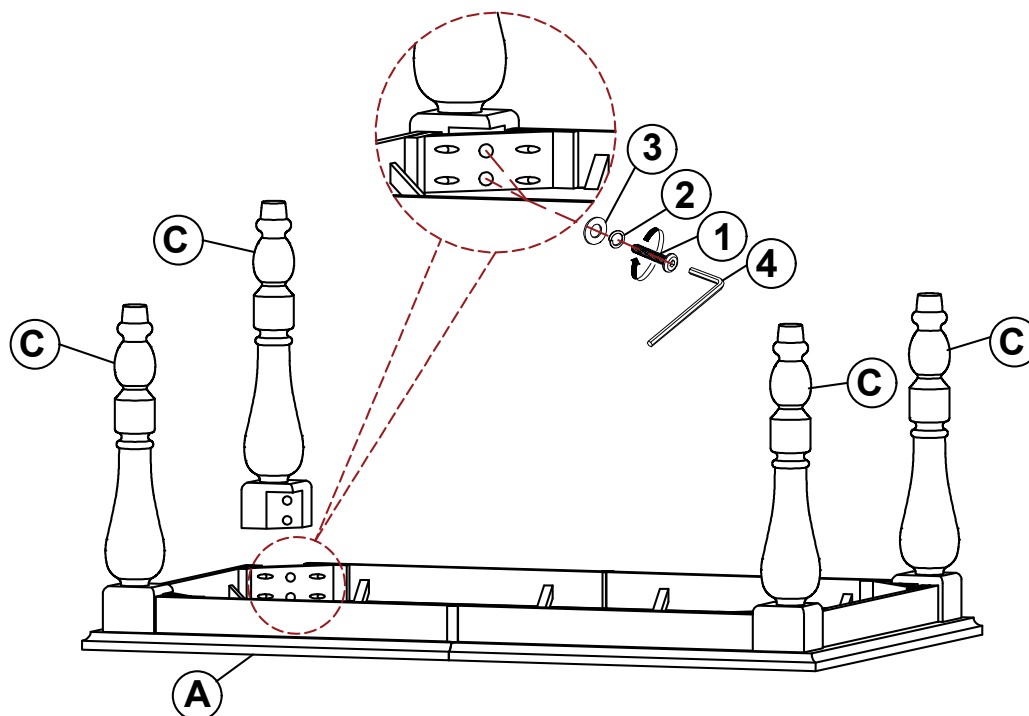
Z-B1(BOX 1) - HARDWARE PACK IS LOCATED IN 110381 (B1)

- | | | | |
|---|--|--|------|
| 1 | BOLT (Ø5/16" x 2-3/8" - RBW) |  | 8PCS |
| 2 | LOCK WASHER (Ø5/16" - RBW) |  | 8PCS |
| 3 | FLAT WASHER (Ø5/16" - RBW) |  | 8PCS |
| 4 | ALLEN WRENCH (4MM - RBW) |  | 1PC |

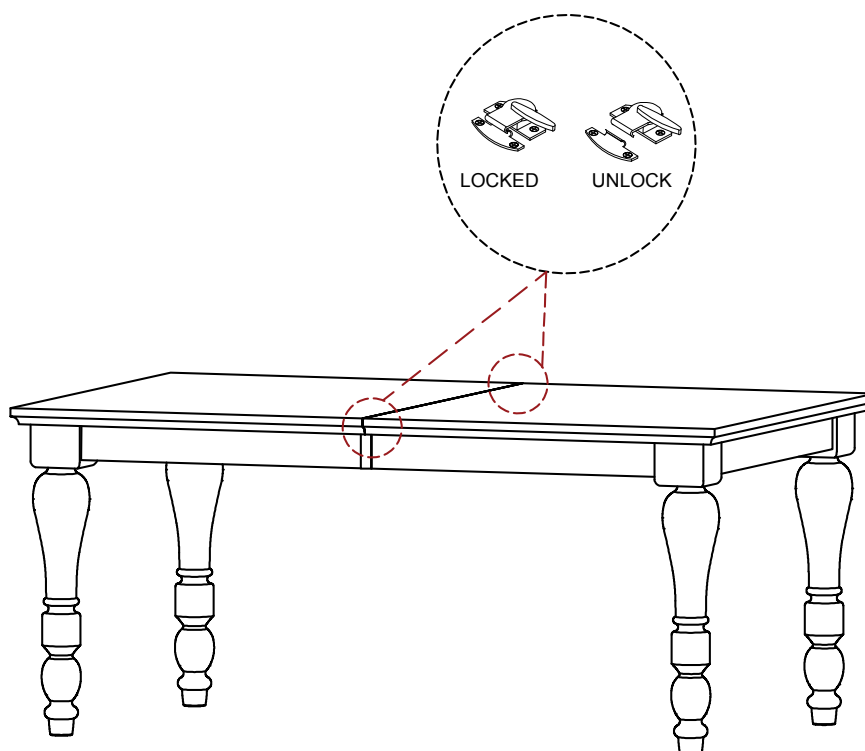
ITEM: 110381(B1&B2)

ASSEMBLY INSTRUCTIONS

STEP 1



STEP 2

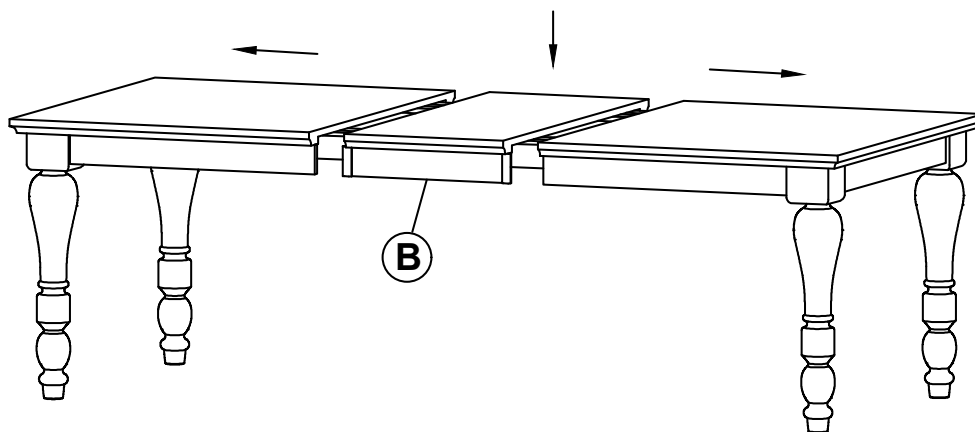


ITEM: **110381(B1&B2)**

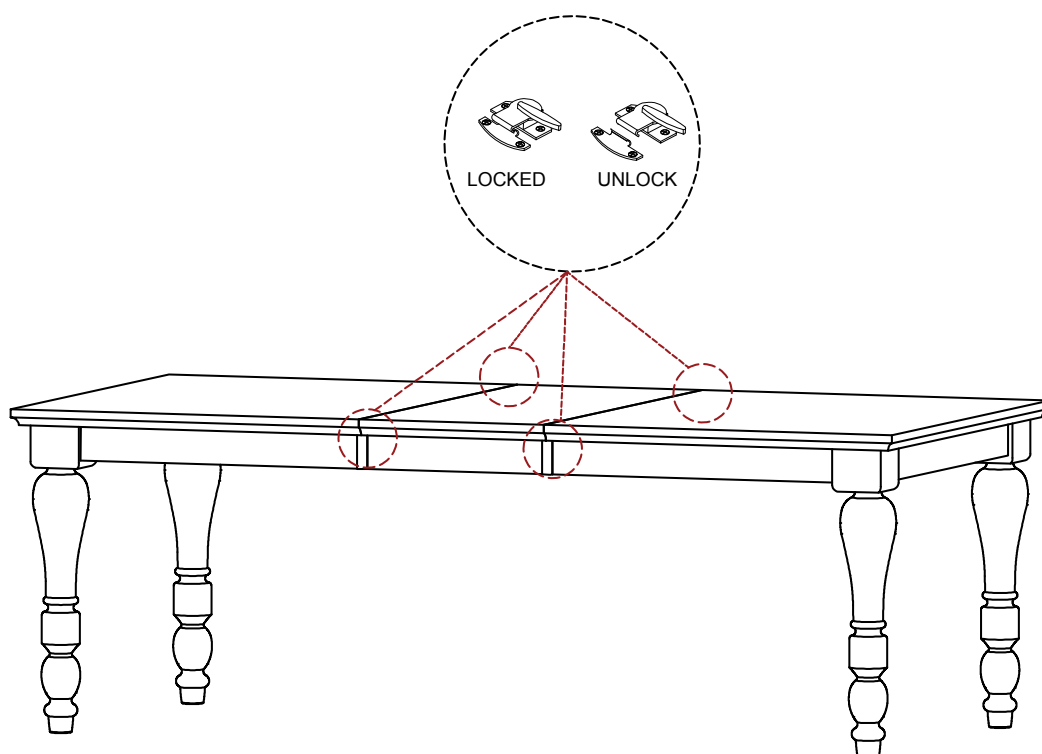


ASSEMBLY INSTRUCTIONS

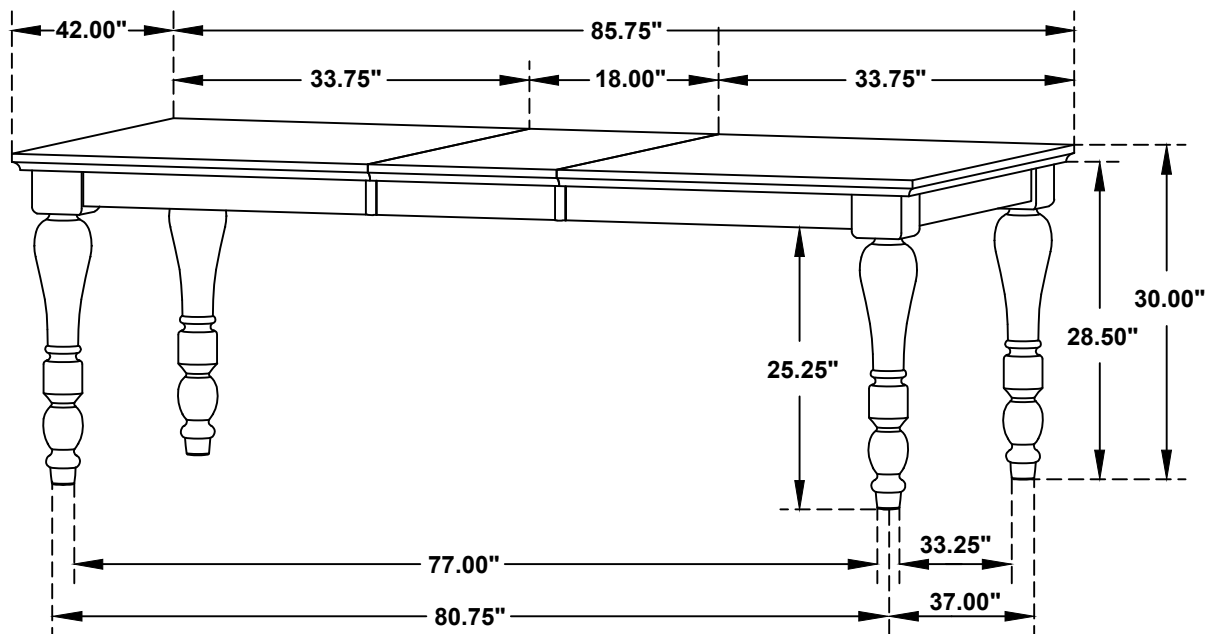
STEP 3



STEP 4
COMPLETE



ITEM: 110381(B1&B2)



Note: Dimension tolerance $\pm 5\%$