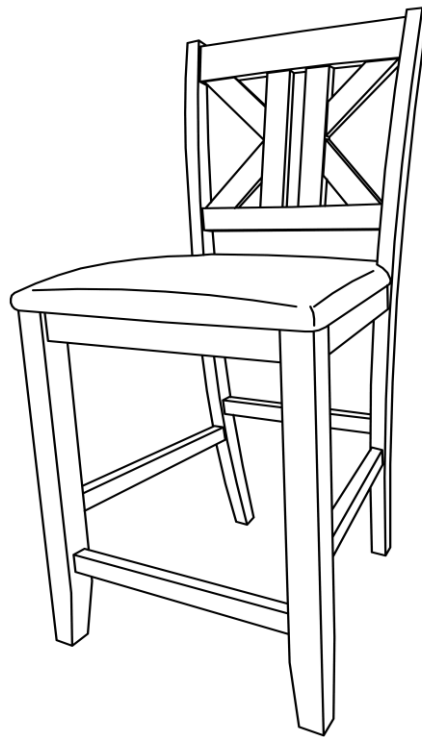


ASSEMBLY INSTRUCTIONS
COASTER FINE FURNITURE



Fine Furniture for every stage of life

109859
Counter Height Chair

ITEM: 109859

ASSEMBLY INSTRUCTIONS

ASSEMBLY TIPS:

1. Remove hardware from box and sort by size.
2. Please check to see that all hardware and parts are present prior to start of assembly.
3. Please follow attached instructions in the same sequence as numbered to assure fast & easy assembly.



WARNING!

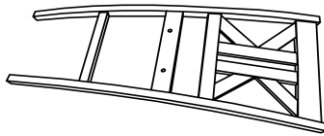

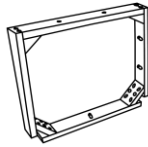
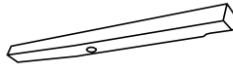




1. Don't attempt to repair or modify parts that are broken or defective. Please contact the store immediately.
2. This product is for home use only and not intended for commercial establishments.



ASSEMBLY TIME

15 MINUTES

PARTS IDENTIFICATION

| | | | |
|---|----------------------|--|-----|
| A | BACK FRAME |  | 1PC |
| B | SEAT CUSHION |  | 1PC |
| C | SEAT FRAME |  | 1PC |
| D | LEFT FRONT LEG |  | 1PC |
| E | RIGHT FRONT LEG |  | 1PC |
| F | LEFT SIDE STRETCHER |  | 1PC |
| G | RIGHT SIDE STRETCHER |  | 1PC |
| H | FRONT STRETCHER |  | 1PC |

NOTE:

Quantities shown are for one chair.

Phillips head screw driver is required in the assembly process; however, manufacturer does not provide this item.

ASSEMBLY INSTRUCTIONS

ASSEMBLY TIPS:

1. Remove hardware from box and sort by size.
2. Please check to see that all hardware and parts are present prior to start of assembly.
3. Please follow attached instructions in the same sequence as numbered to assure fast & easy assembly.



WARNING!



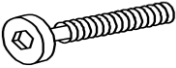
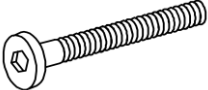




1. Don't attempt to repair or modify parts that are broken or defective. Please contact the store immediately.
2. This product is for home use only and not intended for commercial establishments.



ASSEMBLY TIME

15 MINUTES

HARDWARE IDENTIFICATION

| | | | |
|---|--|--|-------|
| 1 | ALLEN WRENCH (M4 - BLK) |  | 1PC |
| 2 | SHORT BOLT (M6 x 40mm - RBW) |  | 2PCS |
| 3 | MEDIUM BOLT (M6 x 60mm - RBW) |  | 4PCS |
| 4 | LONG BOLT (M6 x 70mm - RBW) |  | 4PCS |
| 5 | LOCK WASHER (M6 - RBW) |  | 10PCS |
| 6 | FLAT WASHER (M6 - RBW) |  | 10PCS |
| 7 | SHORT FLAT HEAD SCREW (M4 x 25mm- RBW) |  | 5PCS |
| 8 | LONG FLAT HEAD SCREW (M4 x 38mm- RBW) |  | 6PCS |

NOTE:

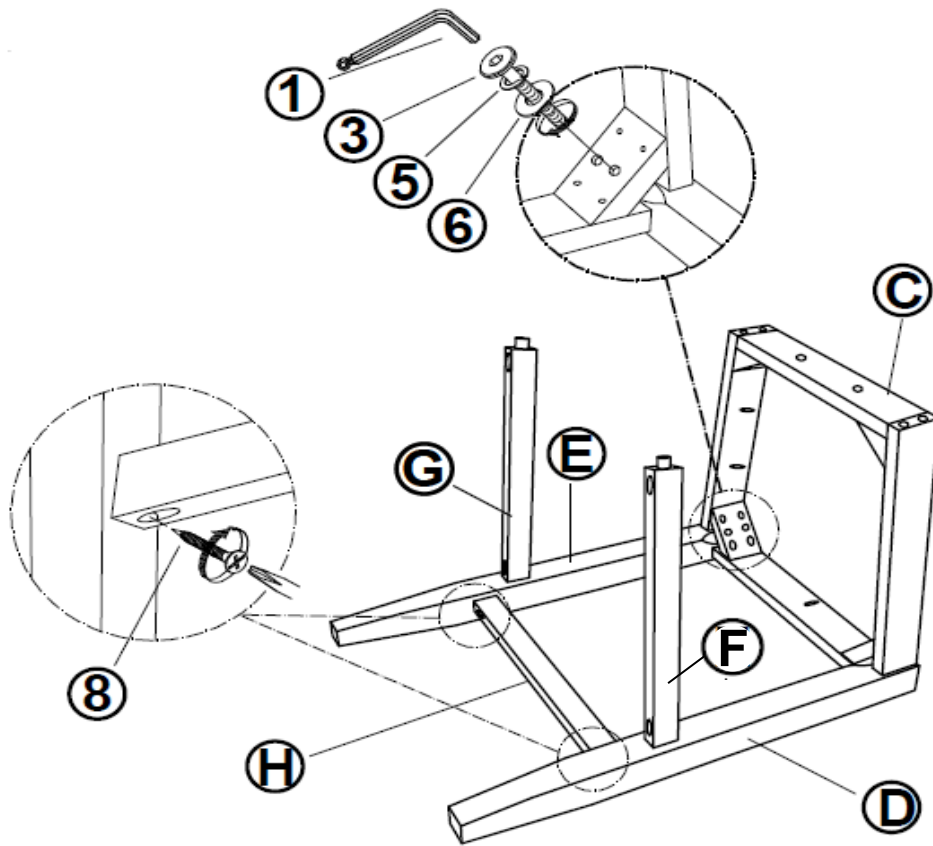
Quantities shown are for one chair.

Phillips head screw driver is required in the assembly process; however, manufacturer does not provide this item.

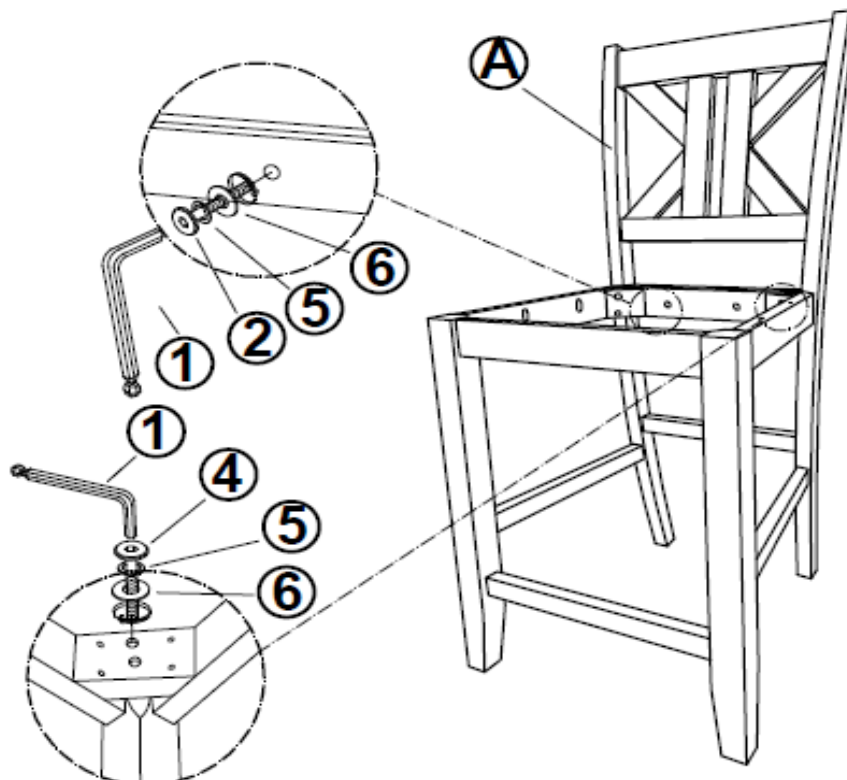
ITEM: 109859

ASSEMBLY INSTRUCTIONS

STEP 1



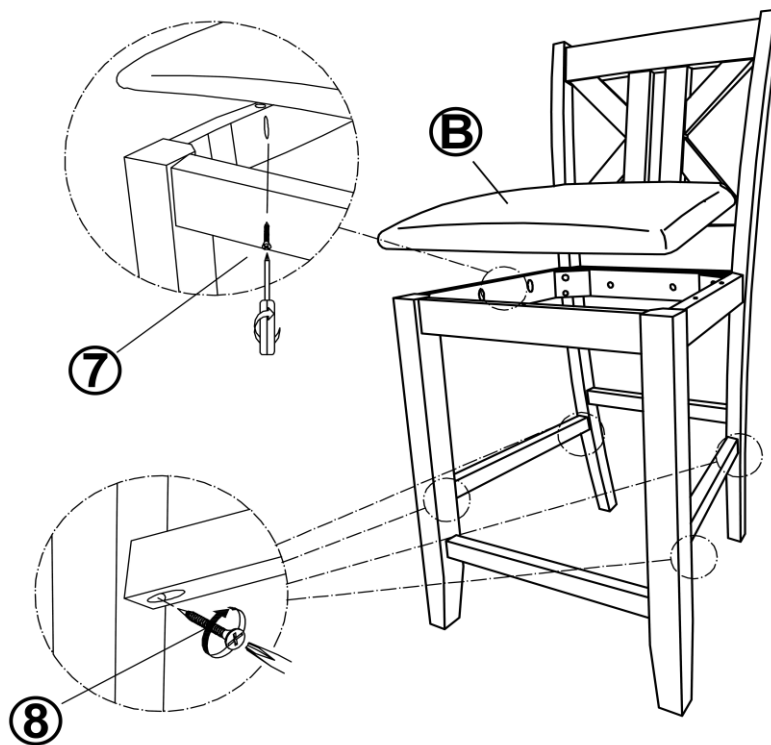
STEP 2



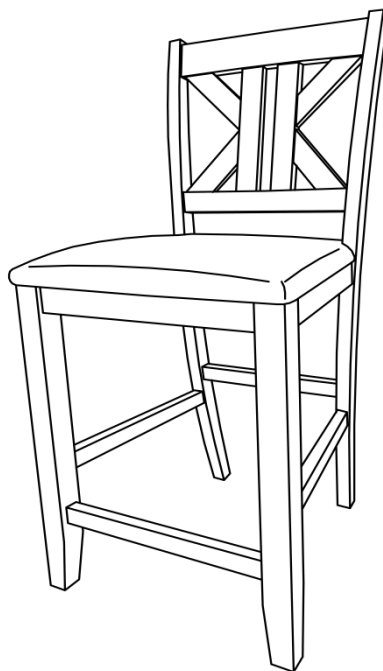
ITEM: **109859**



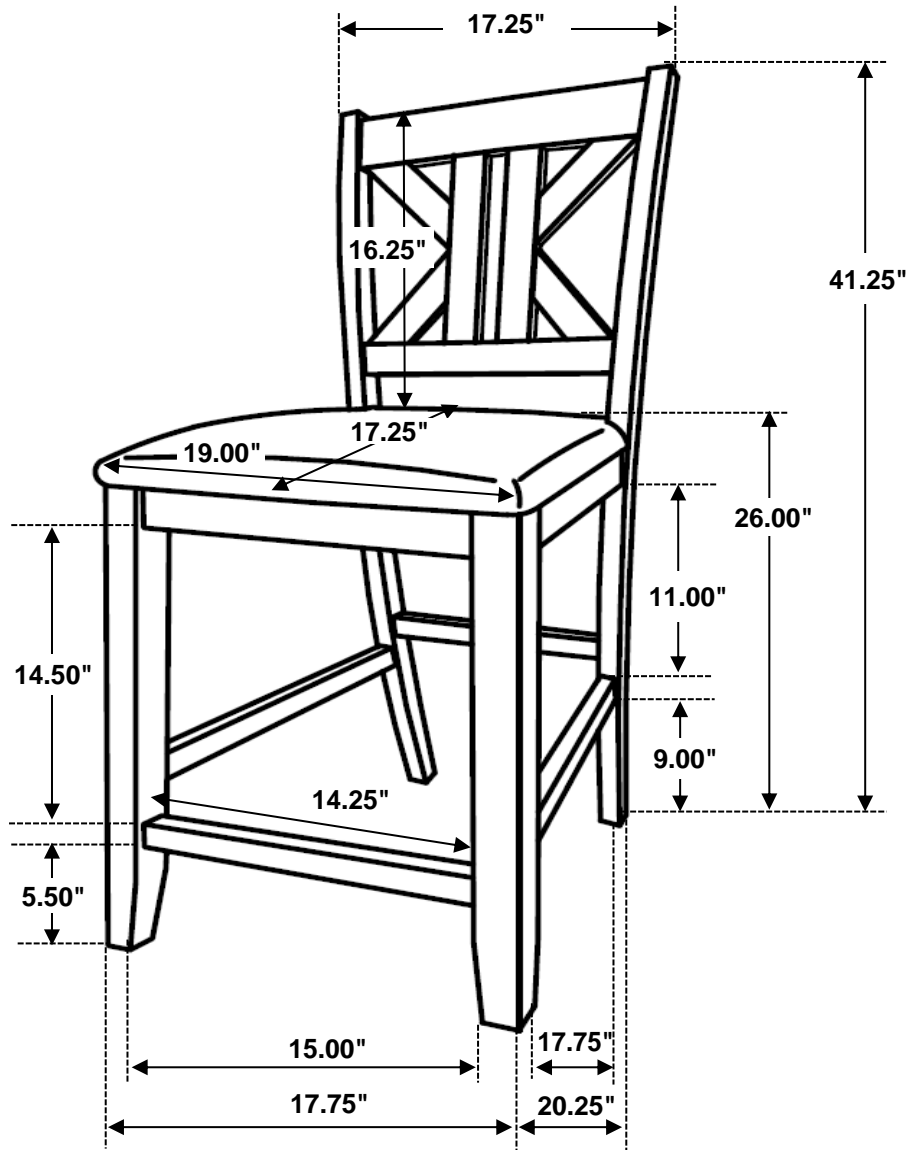
ASSEMBLY INSTRUCTIONS
STEP 3



STEP 4
COMPLETE



ITEM: 109859



Note: Dimension tolerance $\pm 5\%$