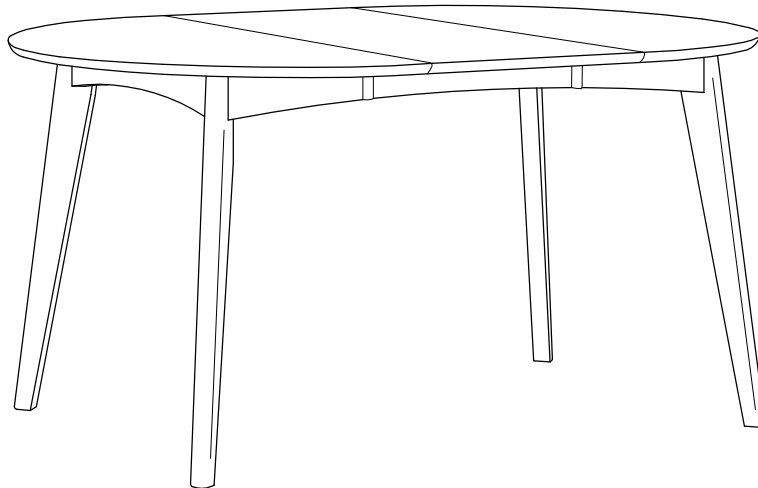




ASSEMBLY INSTRUCTIONS

COASTER FINE FURNITURE



Fine Furniture for every stage of life

105361
Dining Table

REVISION 0: 05/26/2014
REVISION 1: 02/20/2020

PAGE 1 OF 5

COASTERFURNITURE.COM

ITEM: 105361



ASSEMBLY INSTRUCTIONS

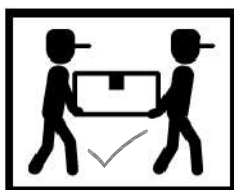
ASSEMBLY TIPS :

1. Remove hardware from box and sort by size.
2. Please check to see that all hardware and parts are present prior to start of assembly.
3. Please follow attached instructions in the same sequence as numbered to assure fast & easy assembly.



WARNING !

1. Don't attempt to repair or modify parts that are broken or defective. Please contact the store immediately.
2. This product is for home use only and not intended for commercial establishments.



ASSEMBLY TIME

15 MINUTES

PARTS IDENTIFICATION

| | | | |
|---|-------|--|------|
| A | TOP | | 1PC |
| B | LEG | | 4PCS |
| C | LEAF | | 1PC |
| D | APRON | | 2PCS |

HARDWARE IDENTIFICATION

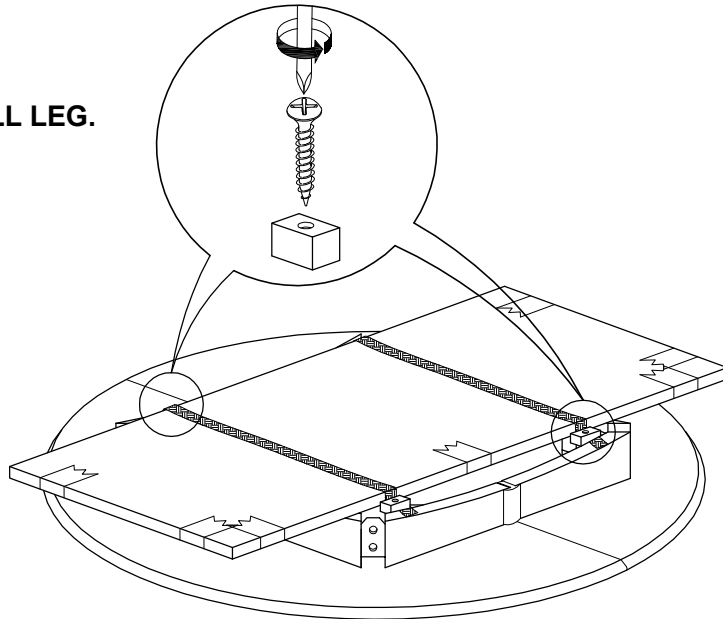
| | | | |
|---|---|--|------|
| 1 | WRENCH (12.8mm - RBW) | | 1PC |
| 2 | ALLEN WRENCH (M4 x 110mm - BLK) | | 1PC |
| 3 | HEX BOLT (M8 x 60mm - SILVER) | | 8PCS |
| 4 | LOCK WASHER (5/16" - RBW) | | 8PCS |
| 5 | FLAT WASHER (5/16" - RBW) | | 8PCS |
| 6 | BOLT (M6 x 50mm - RBW) | | 4PCS |

ITEM: **105361**
ASSEMBLY INSTRUCTIONS

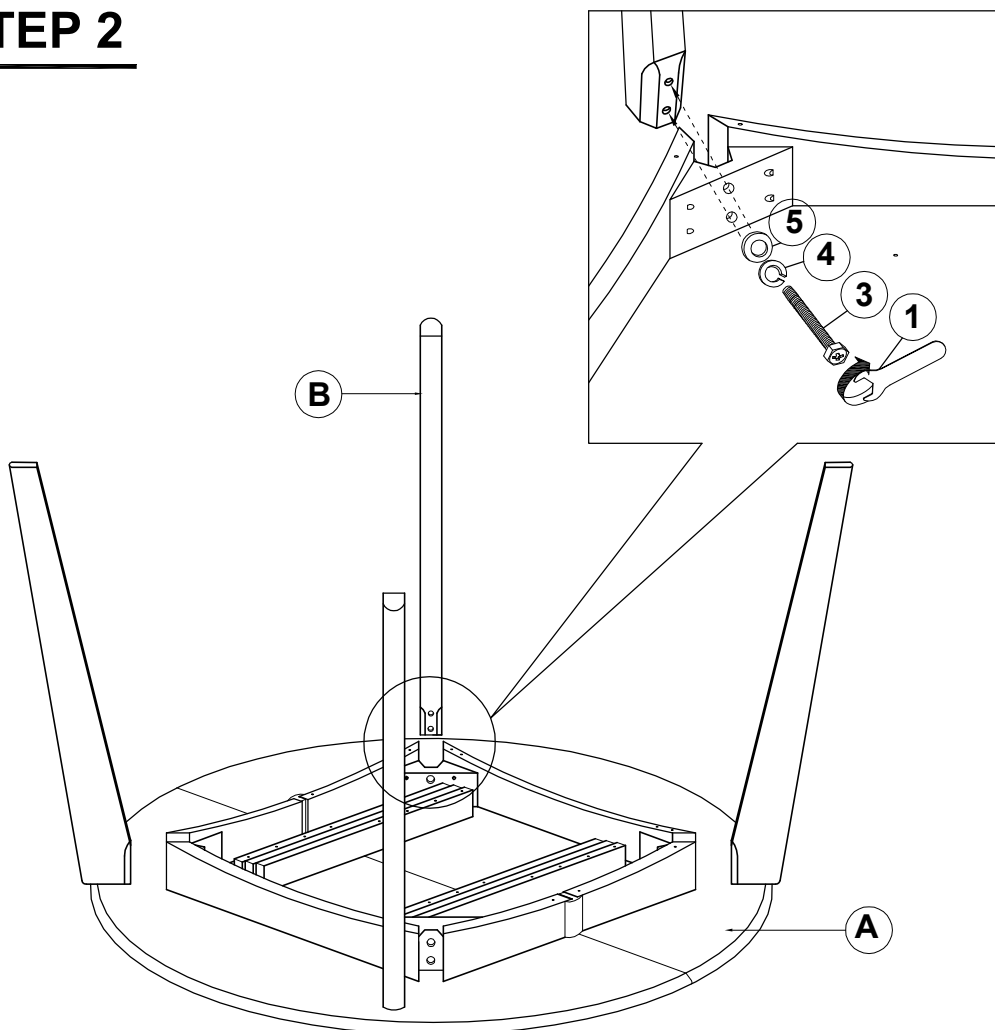


STEP 1

ATTENTION :
REMOVE ALL SCREW AND SMALL LEG.



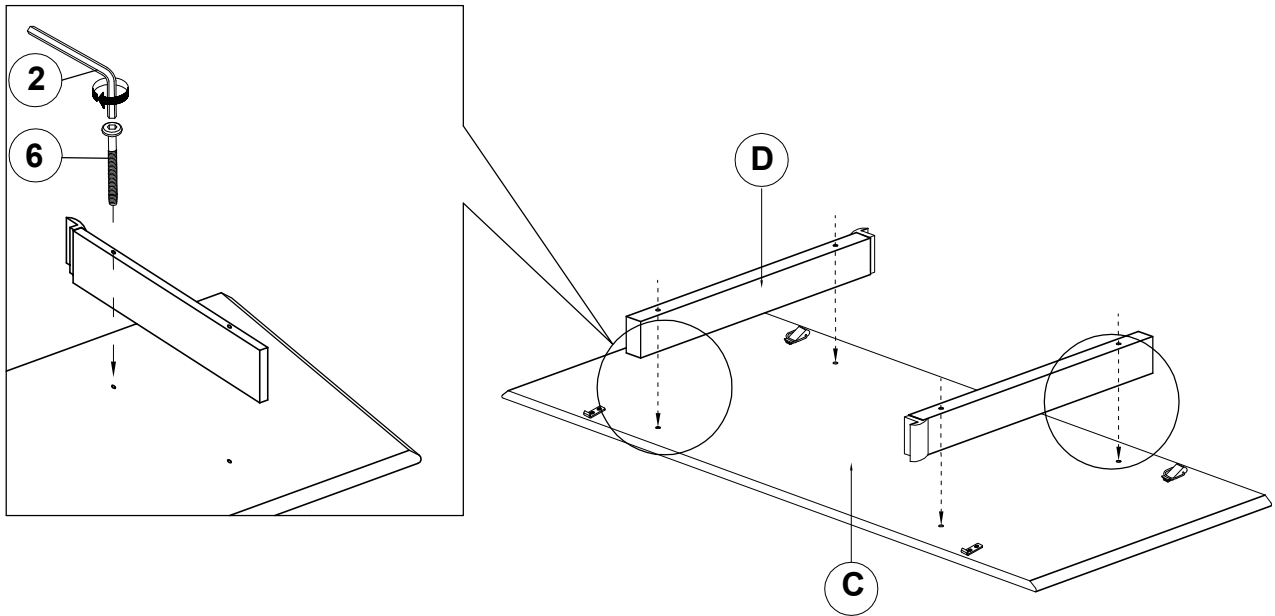
STEP 2



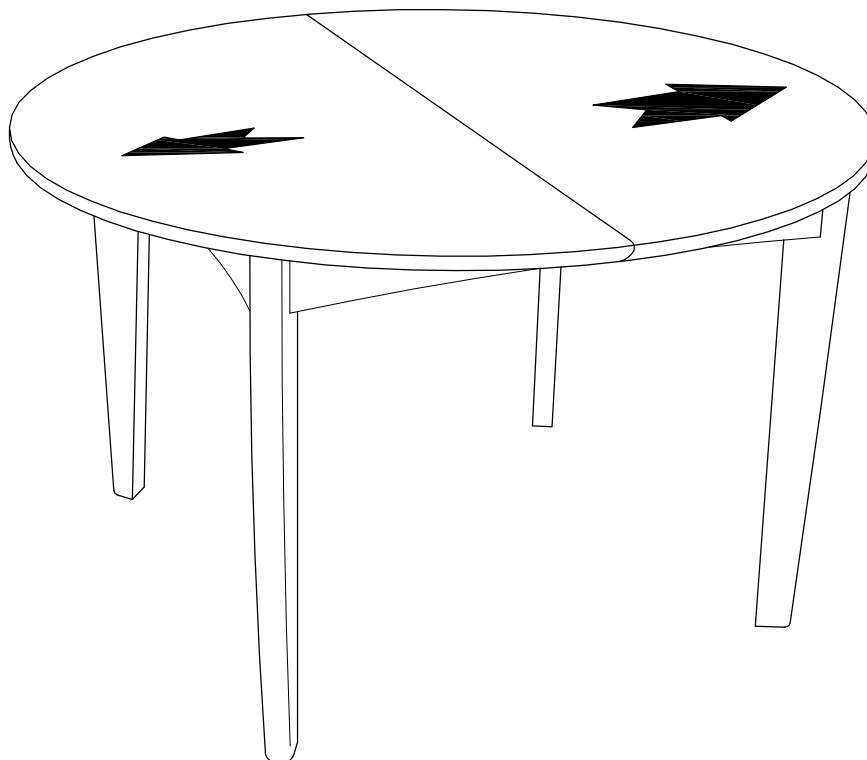
ITEM: **105361**
ASSEMBLY INSTRUCTIONS



STEP 3



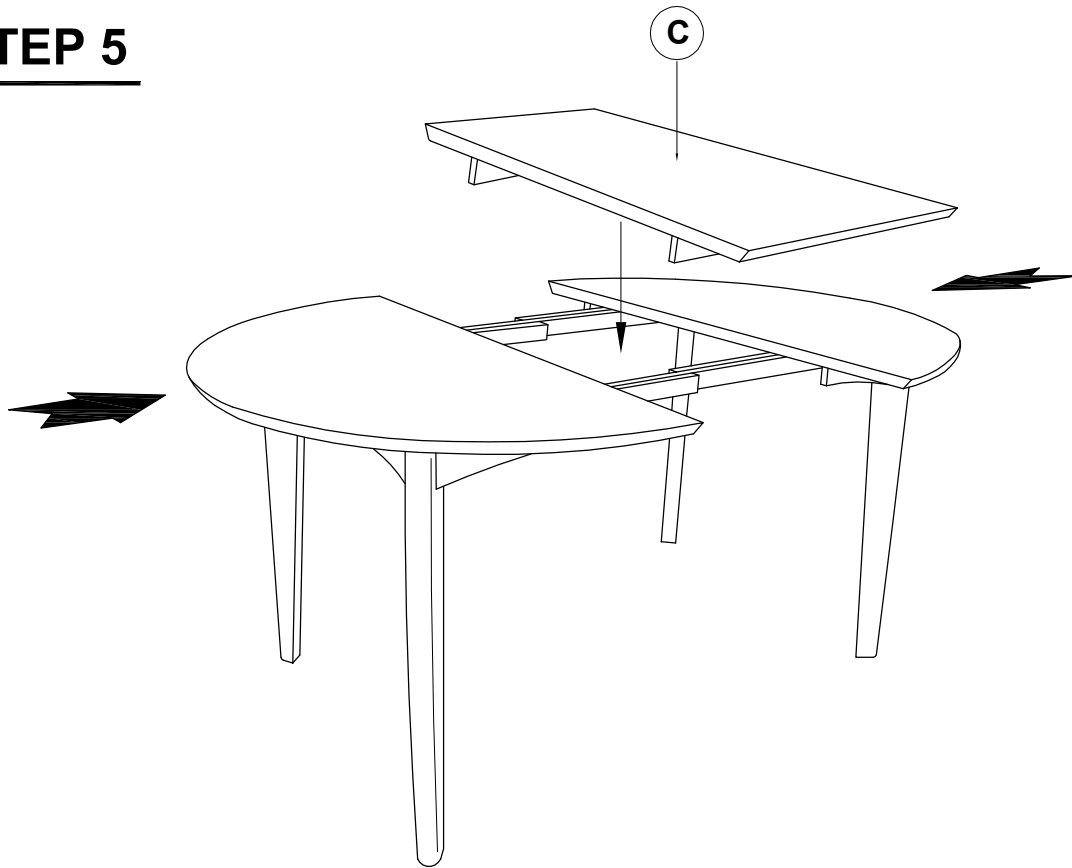
STEP 4



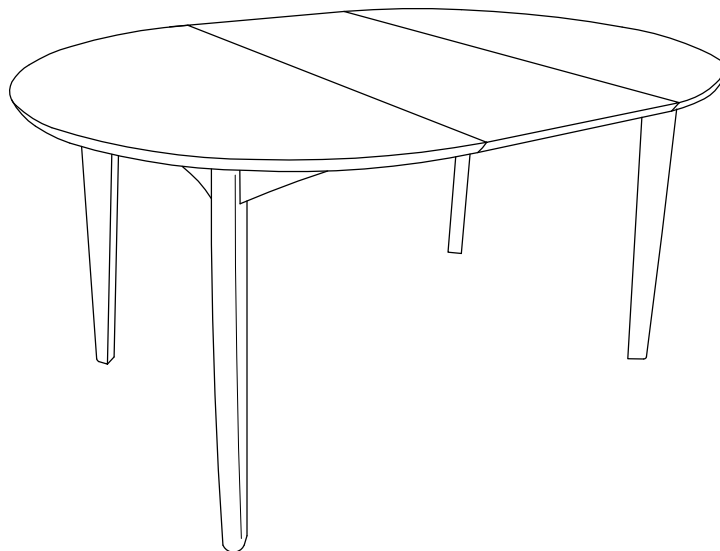
ITEM: **105361**
ASSEMBLY INSTRUCTIONS



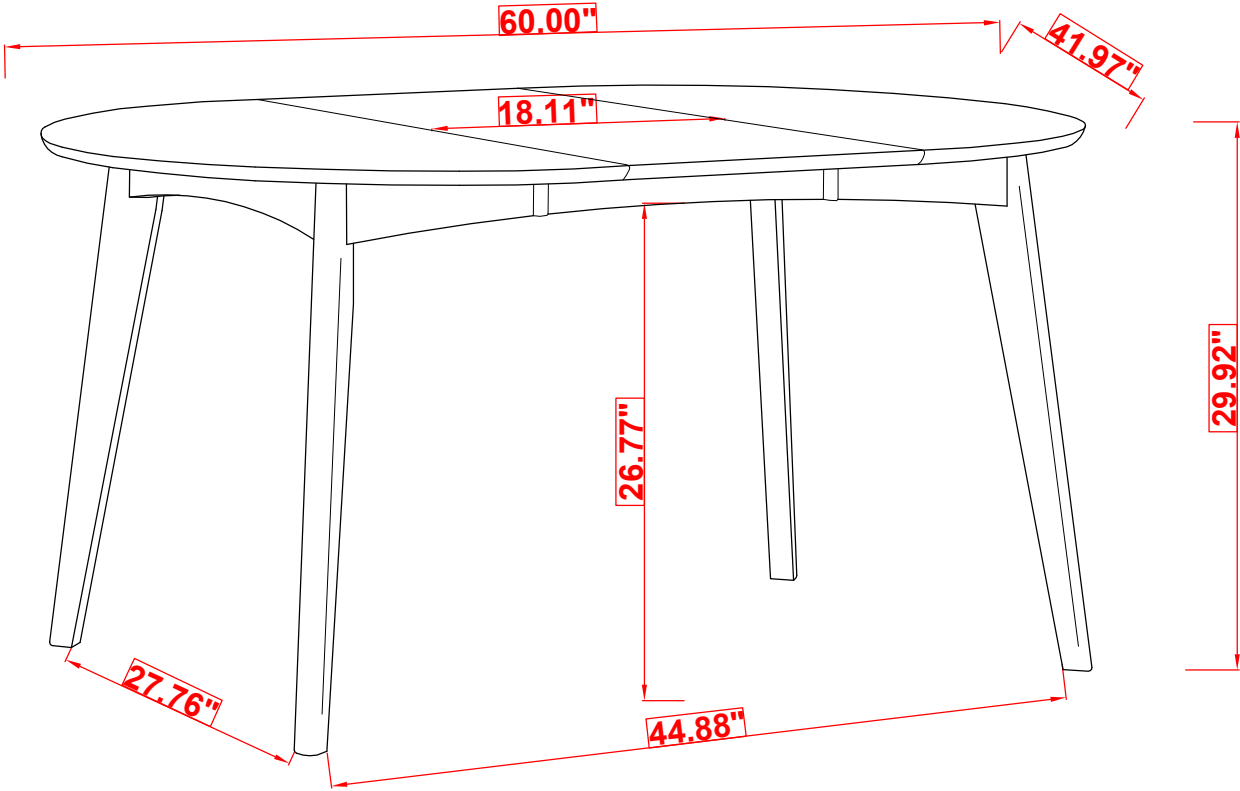
STEP 5



STEP 6
COMPLETE



ITEM: 105361



Note : Dimension tolerance $\pm 5\%$