

*ASSEMBLY INSTRUCTIONS*  
*COASTER FINE FURNITURE*



*Fine Furniture for every stage of life*

**183405**  
***COUNTER HEIGHT STOOL***

REVISION 0 : 06/23/2020  
REVISION 1 : 09/02/2022

ITEM: 183405



# ASSEMBLY INSTRUCTIONS

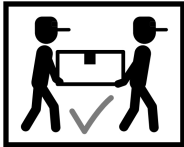
## ASSEMBLY TIPS:

1. Remove hardware from box and sort by size.
2. Please check to see that all hardware and parts are present prior to start of assembly.
3. Please follow attached instructions in the same sequence as numbered to assure fast & easy assembly.



## WARNING!

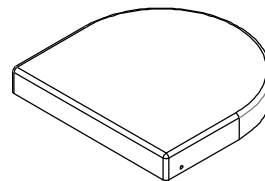
1. Don't attempt to repair or modify parts that are broken or defective. Please contact the store immediately.
2. This product is for home use only and not intended for commercial establishments.



ASSEMBLY TIME 35 MINUTES

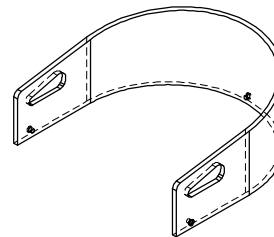
## PARTS IDENTIFICATION

A SEAT CUSHION



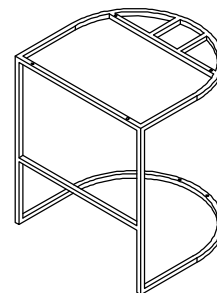
1PC

B ACRYLIC BACK FRAME



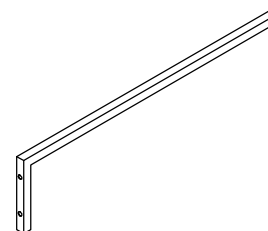
1PC

C STOOL BASE



1PC

D CROSSBAR






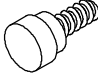




2PCS

ITEM: 183405

# ASSEMBLY INSTRUCTIONS

## HARDWARE IDENTIFICATION



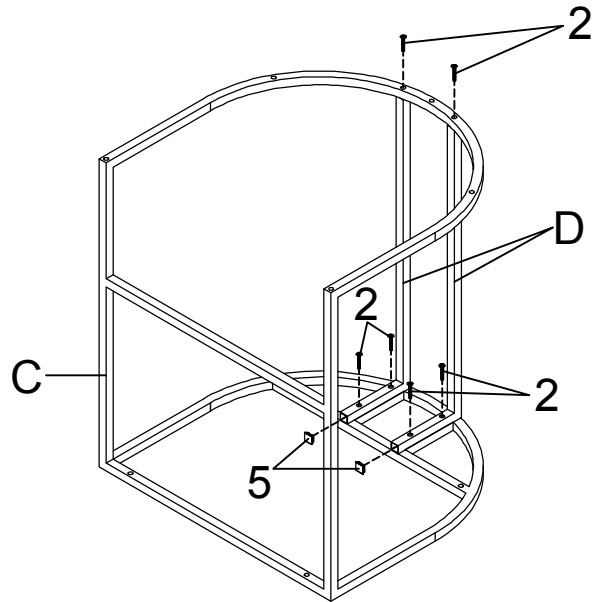
1	SHORT BOLT (1/4" x 21mm SR)		3PCS
2	MEDIUM BOLT (1/4" x 28mm SR)		10PCS
3	NUT (1/4")		3PCS
4	LEVELER (1/4" x 12mm BLK)		5PCS
5	CAP (16 x 16mm)		2PCS
6	WASHER ( $\phi$ 16mm)		2PCS
7	PLASTIC WASHER ( $\phi$ 19mm)		3PCS
8	ALLEN WRENCH (4mm)		1PC

NOTE: PARTS LISTED ABOVE ARE FOR ONE STOOL

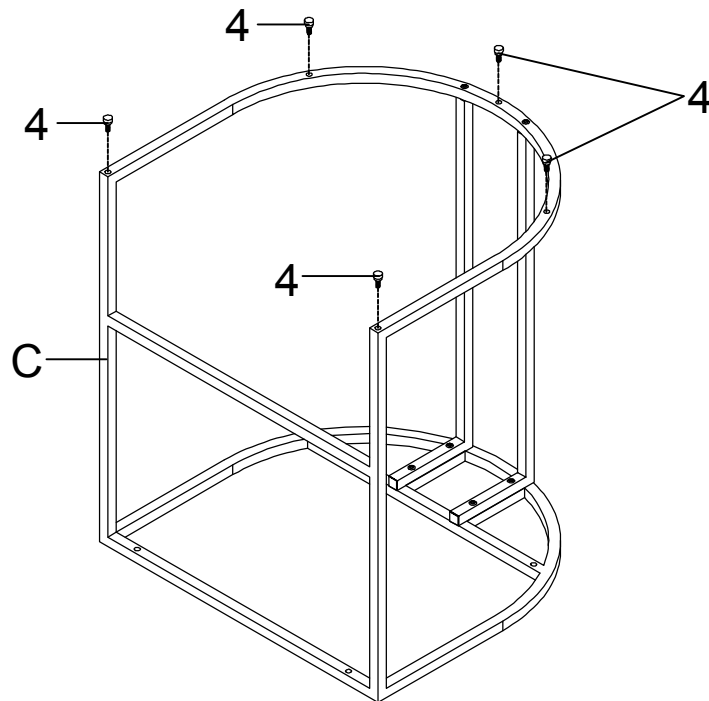
ITEM: 183405

# ASSEMBLY INSTRUCTIONS

**STEP 1** Do not tighten until each step is completed or instructed.



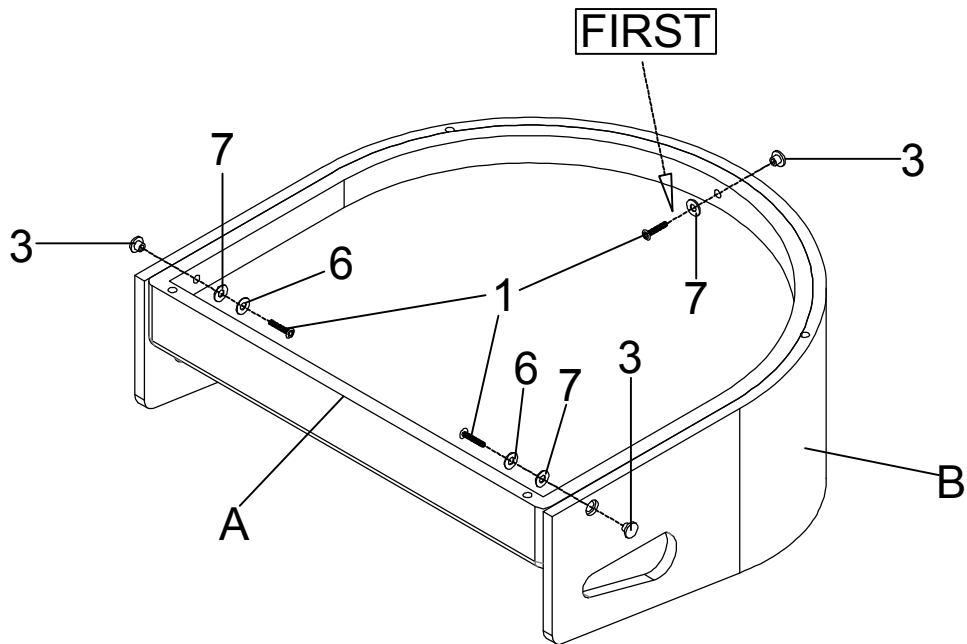
## STEP 2



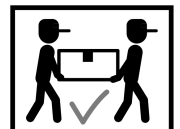
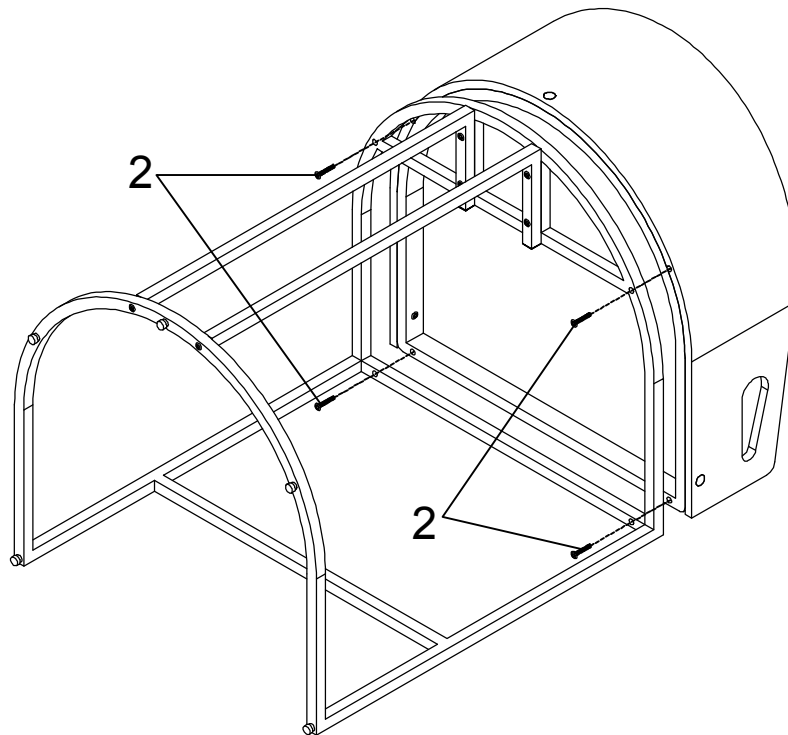
ITEM: 183405

# ASSEMBLY INSTRUCTIONS

## STEP 3



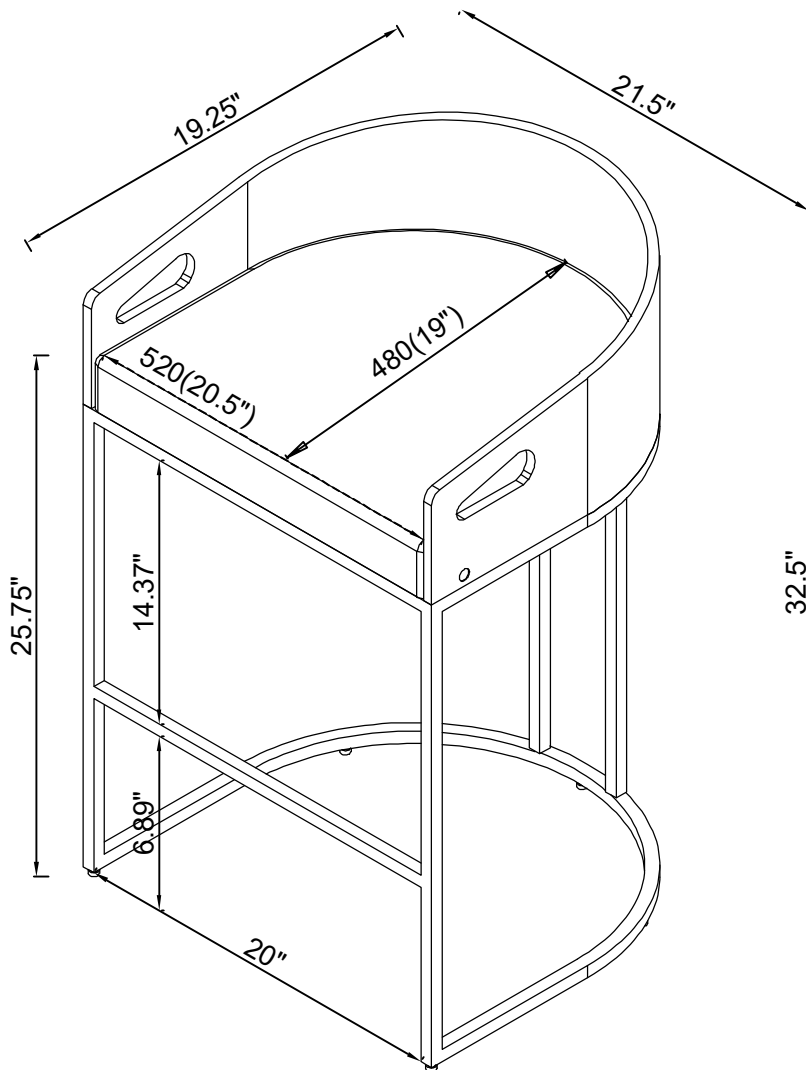
## STEP 4



# ITEM:183405 ASSEMBLY INSTRUCTIONS



<b>Product Size : 546 X 489 X 826 H (MM)</b>
<b>Product Size : 21.5" X 19.25" X 32.5"</b>



Note : Dimension tolerance  $\pm 5\%$