



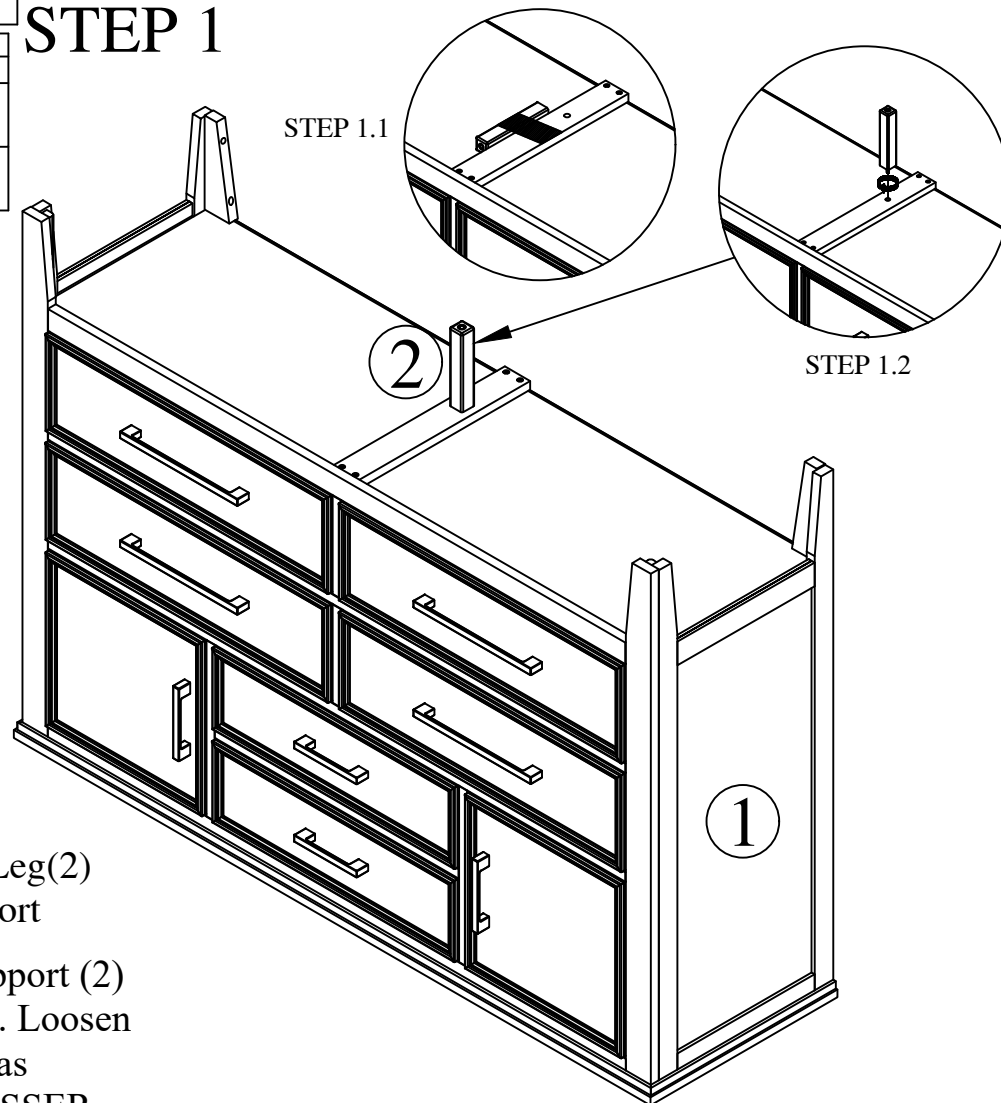
ASSEMBLY INSTRUCTIONS

B677W-050 ANDOVER DRESSER- WHITE
 B677B-050 ANDOVER DRESSER- NUTMEG

Thank you for purchasing this quality product. Be sure to check all packing materials carefully for small parts, which may have come loose inside the carton during shipment. Identify and count all items and compare with the parts list and/or hardware list shown below.

PARTS LIST			
ITEM	DRAWING	DESCRIPTION	QTY
1		DRESSER	1 PC
2		SUPPORT LEG	1 PC

STEP 1



COMPLETED
ASSEMBLY

Step 1.1 : Remove Center Leg(2)
from side Center Leg Support

Step 1.2 :Affix the Leg Support (2)
to DRESSER (1) as shown. Loosen
or tighten Leg Support (2) as
necessary to level the DRESSER.

THE ANTI TIPPING HARDWARE IS LOCATED IN THE
DRESSER FIRST DRAWER

NOTE:MUST TIGHTEN SCREW PERIODICALLY.WITH USE SCREWS WILL
BECOME LOOSE CHECK THIGHT OF ALL SREWS EVERY 6-8 WEEKS.

MADE IN MALAYSIA