

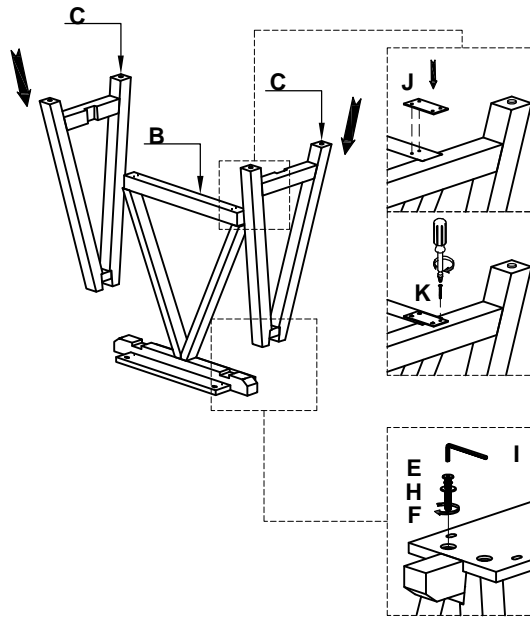


LIVING SPACES

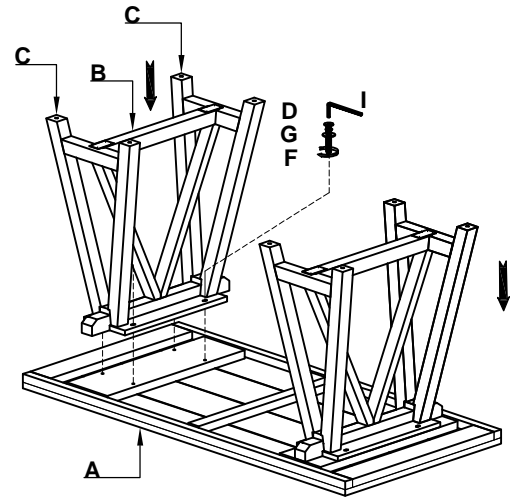
|   |               |  |     |
|---|---------------|--|-----|
| A | PH3612-05TP-A |  | X1  |
| B | PH3612-05LG-B |  | X2  |
| C | PH3612-05LG-C |  | X4  |
| D | PH3612-05-D   |  | X8  |
| E | PH3612-05-E   |  | X8  |
| F | PH3612-05-F   |  | X16 |
| G | PH3612-05-G   |  | X8  |
| H | PH3612-05-H   |  | X8  |
| I | PH3612-05-I   |  | X2  |
| J | PH3612-05-J   |  | X4  |
| K | PH3612-05-K   |  | X16 |

Neville

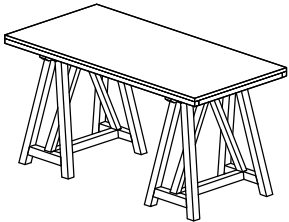
①



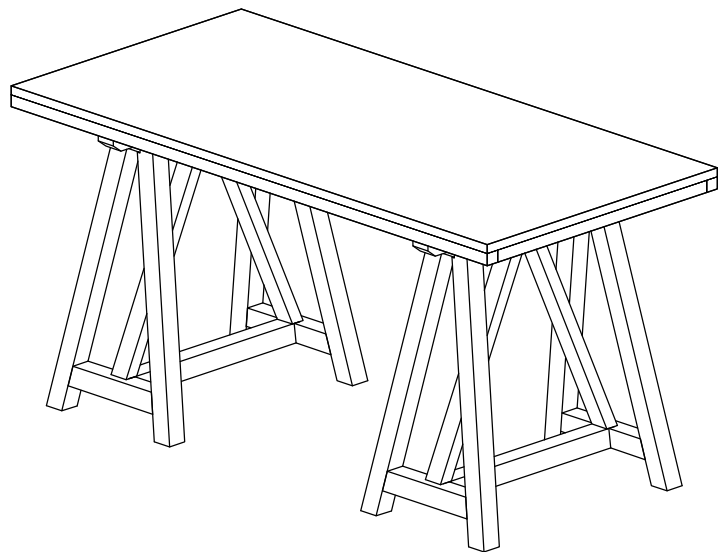
②



③



287857/H3612-05  
NEVILLE 62" WRITING DESK



ASSEMBLY COMPLETED.