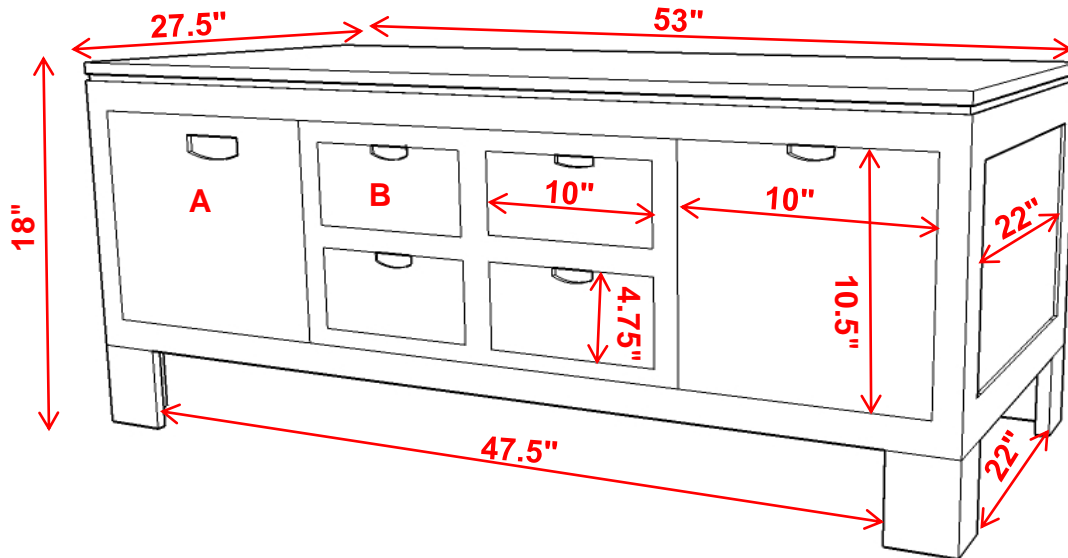


ITEM: **723888**

INNER SIZE OF DRAWER (A) : 9.25"X14"X9.5"
INNER SIZE OF DRAWER (B) : 9.25"X14"X3.75"



Note : Dimension tolerance $\pm 5\%$