

ASSEMBLY INSTRUCTIONS
COASTER FINE FURNITURE



Fine Furniture for every stage of life

720338
COFFEE TABLE

REVISION 0 : 02/08/2018
REVISION 1 : 08/16/2019
REVISION 2 : 07/23/2021

ITEM:720338



ASSEMBLY INSTRUCTIONS

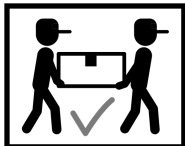
ASSEMBLY TIPS:

1. Remove hardware from box and sort by size.
2. Please check to see that all hardware and parts are present prior to start of assembly.
3. Please follow attached instructions in the same sequence as numbered to assure fast & easy assembly.



WARNING!

1. Don't attempt to repair or modify parts that are broken or defective. Please contact the store immediately.
2. This product is for home use only and not intended for commercial establishments.



ASSEMBLY TIME 30 MINUTES

PARTS IDENTIFICATION

A	GLASS		1PC
B	TOP FRAME		1PC
CN	MIRROR		1PC
D	BOTTOM FRAME		1PC
E	SIDE FRAME		2PCS

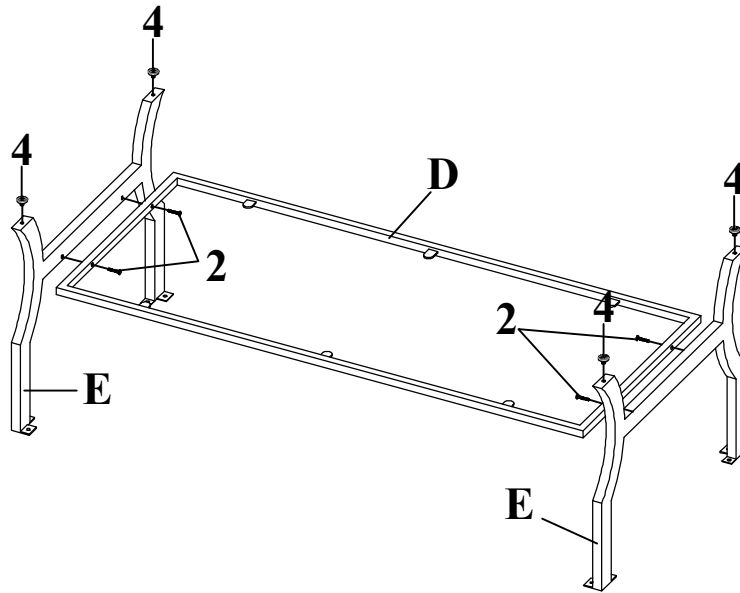
HARDWARE IDENTIFICATION

1	SHORT BOLT (1/4" x 12mm SR)		8PCS	4	LEVELER (1/4" x 12mm BLK)		4PCS
2	LONG BOLT (1/4" x 28mm SR)		4PCS	5	ALLEN WRENCH (4mm)		1PC
3	SUCTION CUP (Ø12mm)		12PCS				

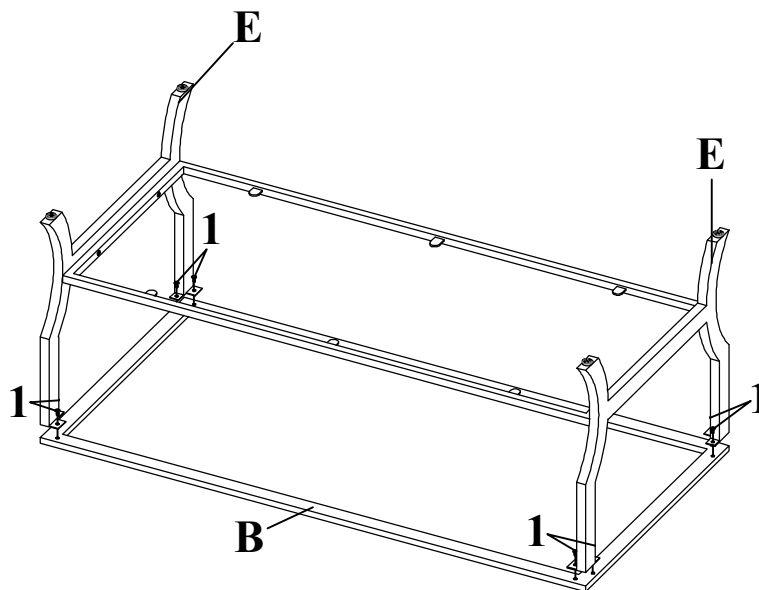
ITEM: 720338 ASSEMBLY INSTRUCTIONS



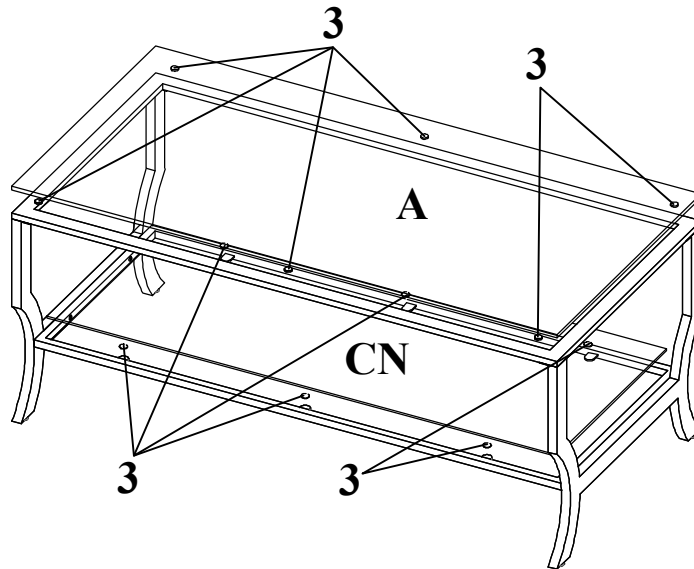
STEP 1 Do not tighten until each step is completed or instructed.



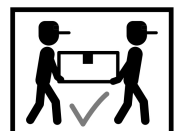
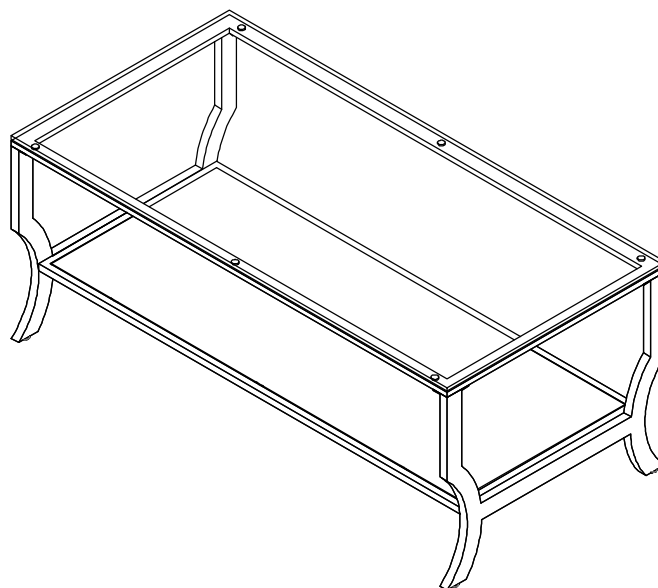
STEP 2



ITEM: 720338
ASSEMBLY INSTRUCTIONS
STEP 3



STEP 4
COMPLETE



ITEM: 720338 ASSEMBLY INSTRUCTIONS



Product Size : 1200 X 597 X 489 H (MM)
Product Size : 47 1/4" X 23 1/2" X 19 1/4"

