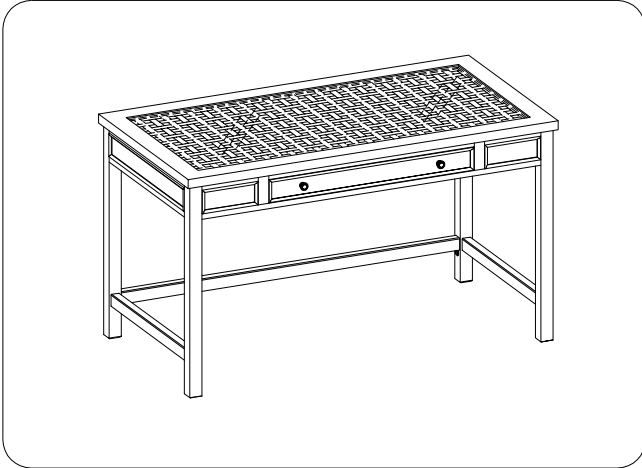


LIVING SPACES

ASSEMBLY INSTRUCTIONS

ITEM NO: I394-354WD-CHG 54" Writing Desk

Thank you for purchasing this quality product. Be sure to check all packing material carefully for small parts that may come loose inside the carton during shipment.



TOOLS REQUIRED (NOT PROVIDED)

PHILLIPS SCREWDRIVER



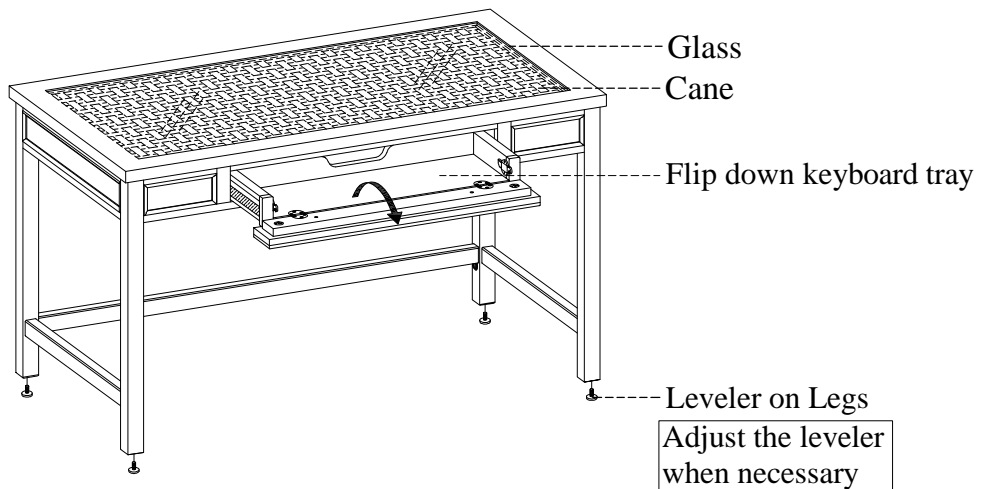
HARDWARE LIST:

No.	Description	Sketch	Quantity
A	Bolt Ø1/4" x 2"		8 PCS
B	Bolt Ø1/4" x 5/8"		2 PCS
C	Lock Washer Ø1/4"		10 PCS
D	Flat Washer Ø1/4" x 3/4"		10 PCS
E	Allen Wrench 4mm		1 PC
F	Wood Screw #8 x 1-1/2"		4 PCS

COMPONENTS LIST:

No.	Description	Sketch	Quantity
1	Desk Top		1 PC
2	Glass		1 PC
3	Front Leg (left)		1 PC
4	Front Leg (Right)		1 PC
5	Back Leg (left)		1 PC
6	Back Leg (Right)		1 PC
7	Back Stretcher		1 PC
8	Side Stretcher		2 PCS

FUNCTIONALITY INSTRUCTION



BEFORE USING THIS PRODUCT PLEASE READ, UNDERSTAND, AND FOLLOW THESE INSTRUCTIONS. Save these instructions for future reference.

FOR INDOOR USE ONLY

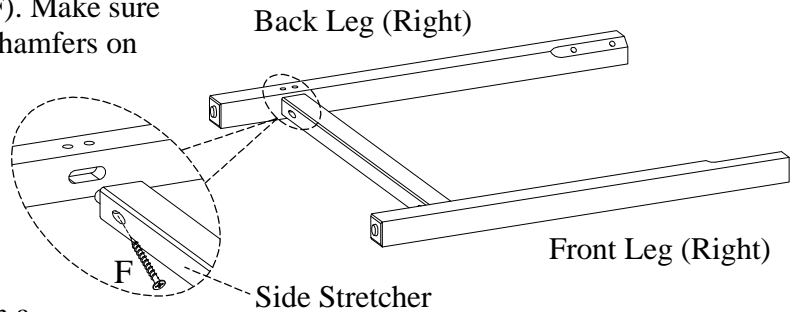


LIVING SPACES

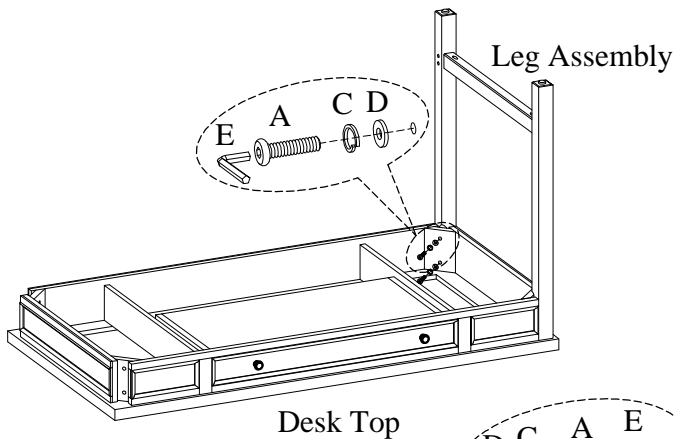
ASSEMBLY INSTRUCTIONS

ITEM NO: I394-354WD-CHG 54" Writing Desk

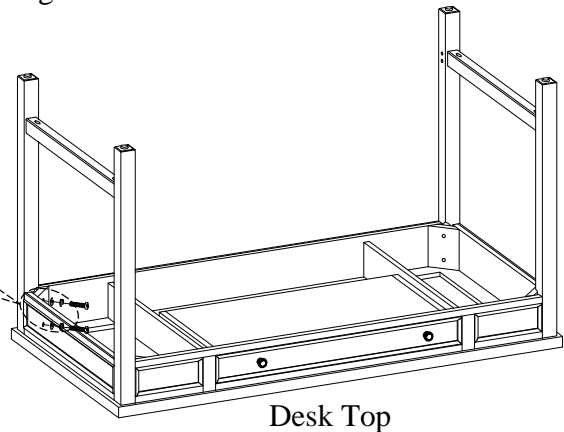
STEP 1: Assemble the front legs and the back legs with side stretchers using wood screws(F). Make sure the drill holes on each back leg and the chamfers on all legs are aligned as shown to the right.



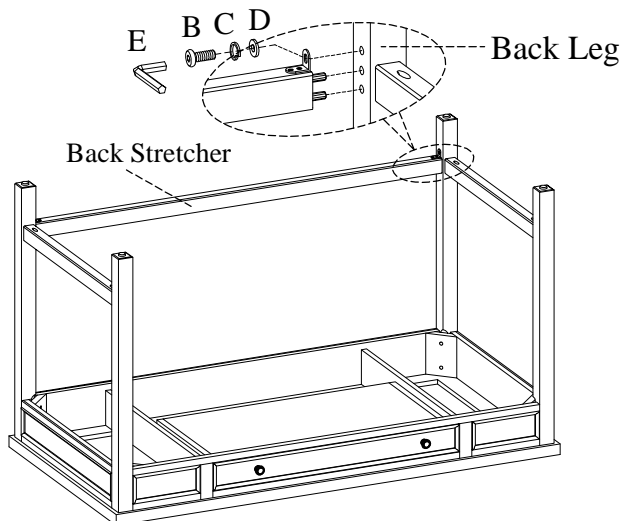
STEP 2: Put the desk top upside down on a soft surface, attach one leg assembly to desk top by using 4 bolts(A), lock washers(C) flat washers(D). Do not fully tighten the bolts.



STEP 3: Attach the other leg assembly to desk top by using 4 bolts(A), lock washers(C) flat washers(D). Do not fully tighten the bolts.



STEP 4: Attach the back stretcher to back legs using 2 bolts(B), lock washers(C) flat washers(D) as shown below. Fully tighten all bolts and screws. Turn the assembled desk to upright position.



STEP 5: Place the glass on the desk top.

