



LIVING SPACES

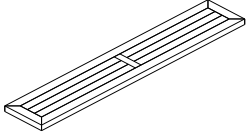
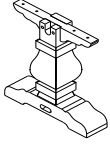
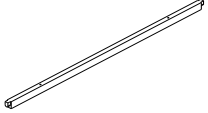
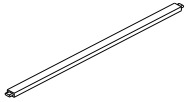
ASSEMBLY INSTRUCTIONS

Caden 88" Bench
ITEM No.: 53004612







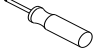


(BOX 1)

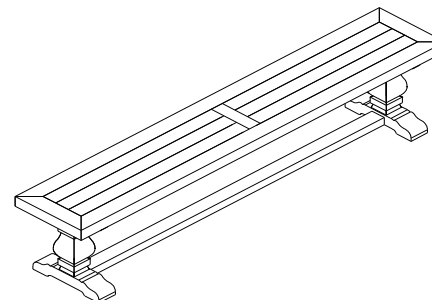
Box of Table Top / Leaf/ Top Support/ Stretcher

SKU#	IMAGE	DESCRIPTION	QUANTITY
53004612		Bench Top	1
		Bench Leg	2
		Top Support	1
		Stretcher	1

(BOX 1)

Table Top / Leaf/ Top Support/ Stretcher Hardware List

SKU#	IMAGE	DESCRIPTION	QUANTITY
Z1 Z3 Z4		Bolt: Ø 8 x 60mm Sping Washer: Ø 8 x 12 x 2mm Washer: Ø 8 x 19 x 2mm	4
Z2 Z3 Z4		Bolt: Ø 8 x 50mm Sping Washer: Ø 8 x 12 x 2mm Washer: Ø 8 x 19 x 2mm	4
Z5 Z7		Screw: Ø 4 x 40mm Washer: Ø 4 x 9 x 1mm	3
Z6 Z7		Screw: Ø 4 x 30mm Washer: Ø 4 x 9 x 1mm	4
Z8		Screwdriver	1
Z9		Open Wrench Ø13	1
Z10		Adjustable Bolt	4



COMPLETED BENCH ASSEMBLY



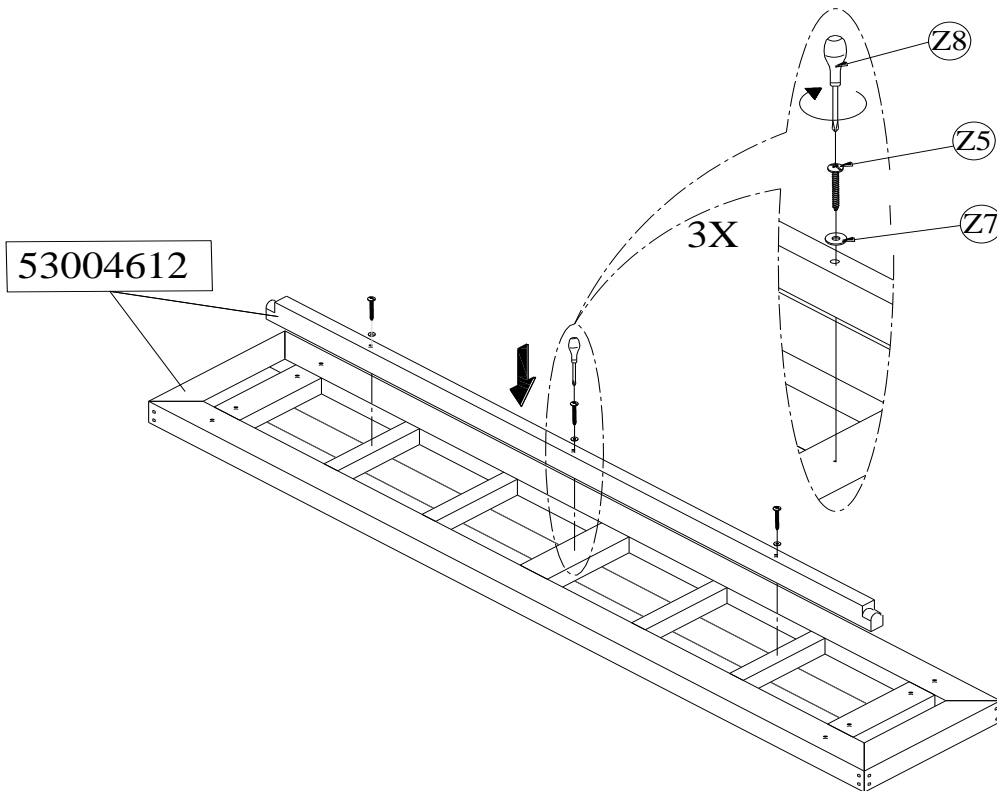
LIVING SPACES

ASSEMBLY INSTRUCTIONS

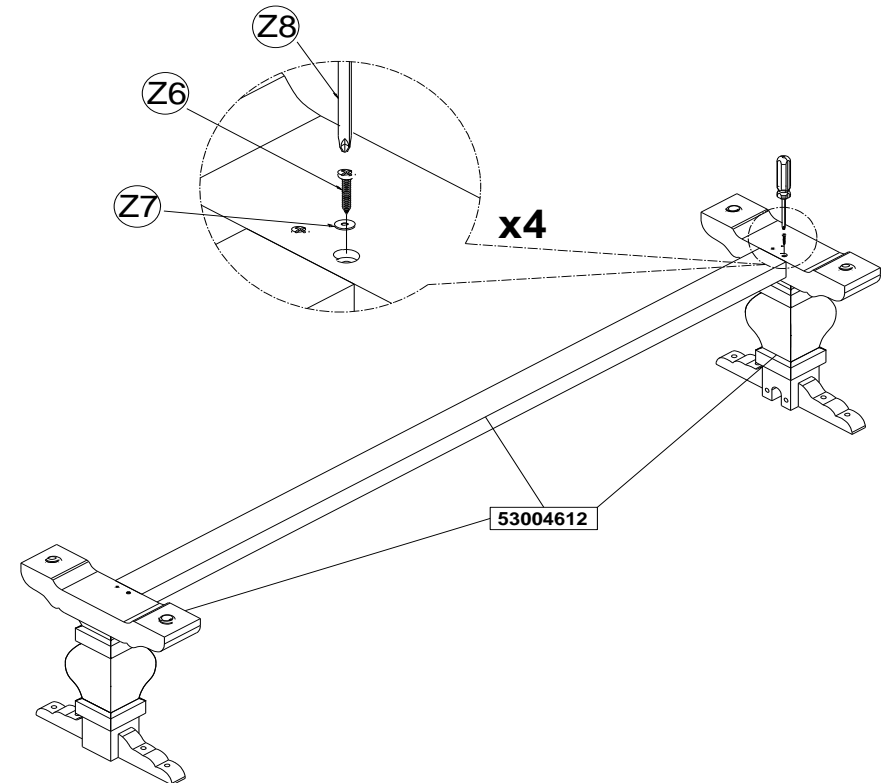
Caden 88" Bench
ITEM No.: 53004612



STEP 1



STEP 2





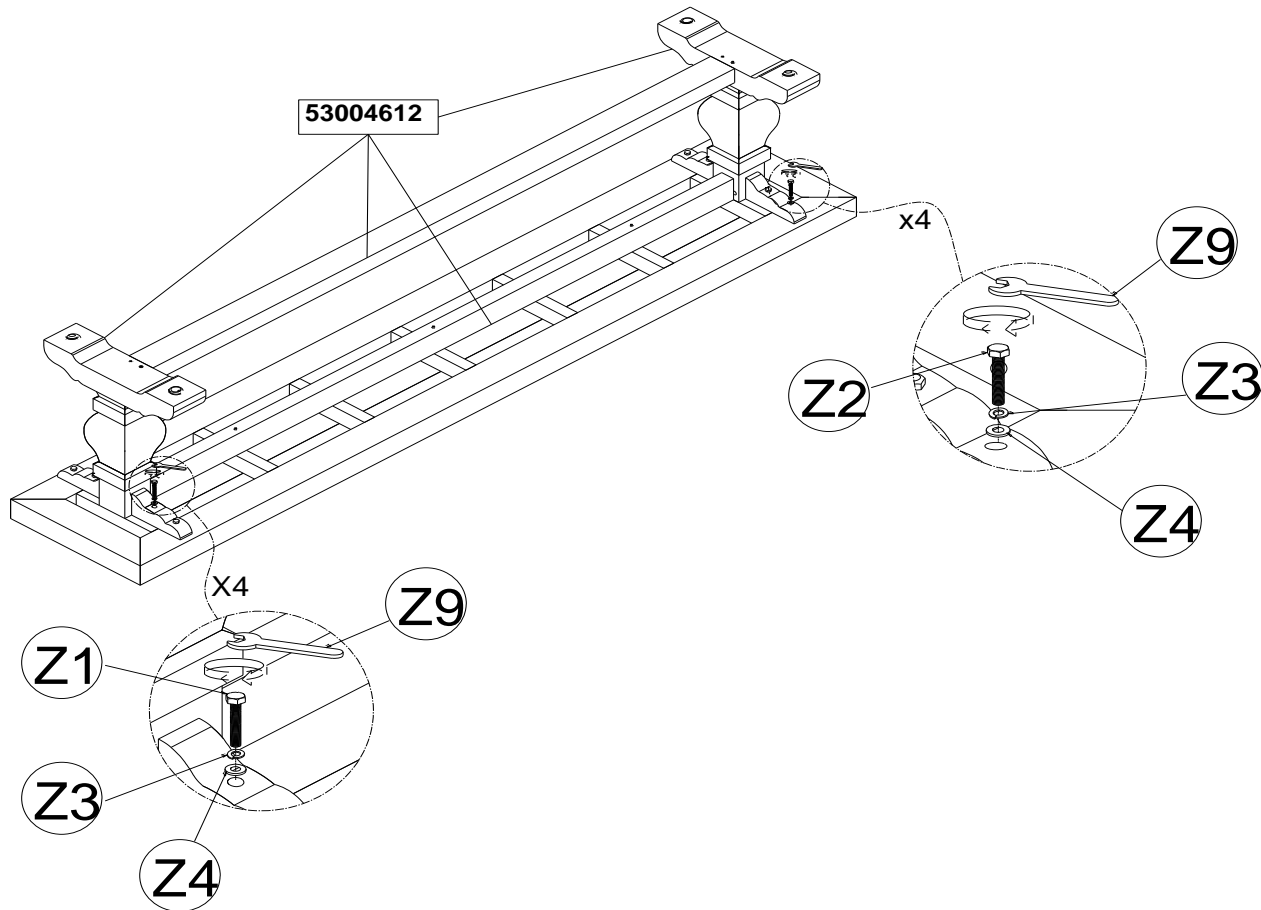
LIVING SPACES

ASSEMBLY INSTRUCTIONS

Caden 88" Bench
ITEM No.: 53004612



STEP 3





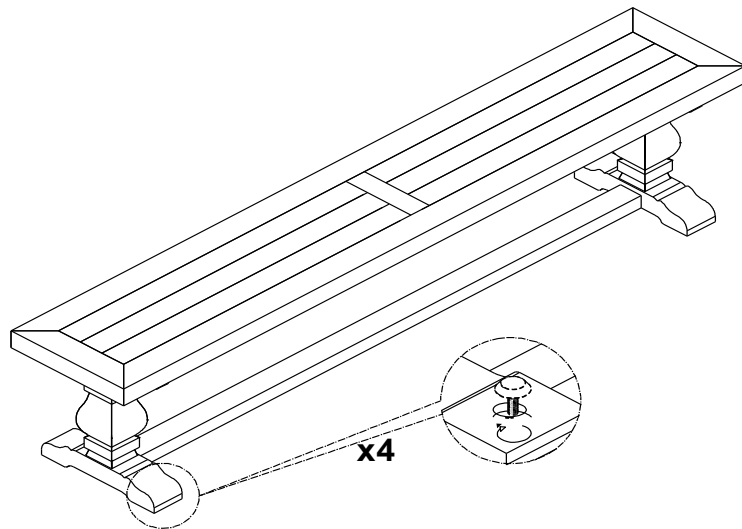
LIVING SPACES

ASSEMBLY INSTRUCTIONS

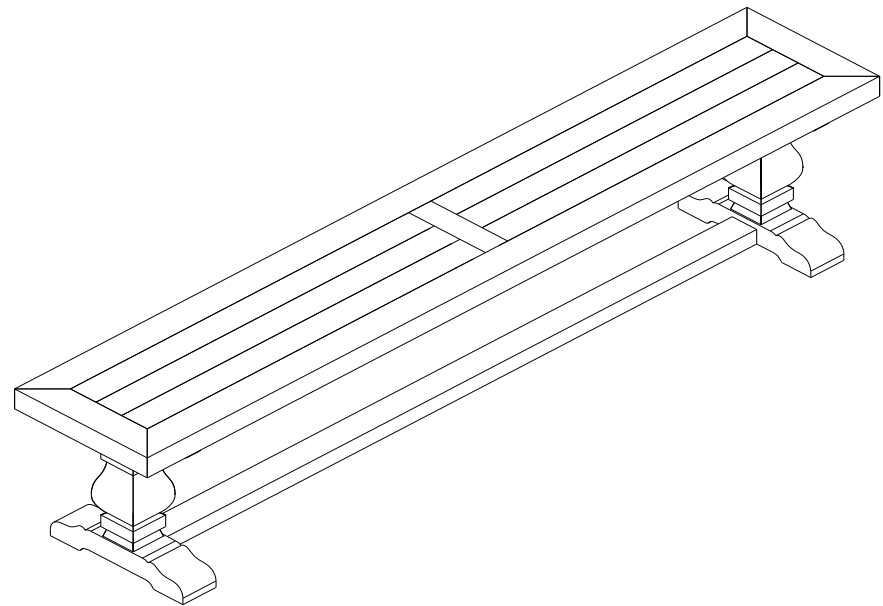
Caden 88" Bench
ITEM No.: 53004612



STEP 4



STEP 6



THE HARDWARE IS LOCATED IN THE PACKING ITEMS

NOTE: MUST TIGHTEN SCREWS PERIODICALLY. WITH USE SCREW MAY BE COME LOOSE CHECK TIGHTNESS OF ALL SCREWS EVERY 6-8 WEEKS.

CLEANING INSTRUCTIONS

After assembly, clean & polish the completed parts if necessary with soft cloth and industrial recognized furniture polish.