

ASSEMBLY INSTRUCTIONS

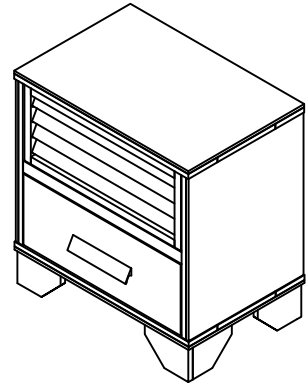
ITEM NO : B4760-2 NIGHT STAND

BOX OF NIGHTSTAND

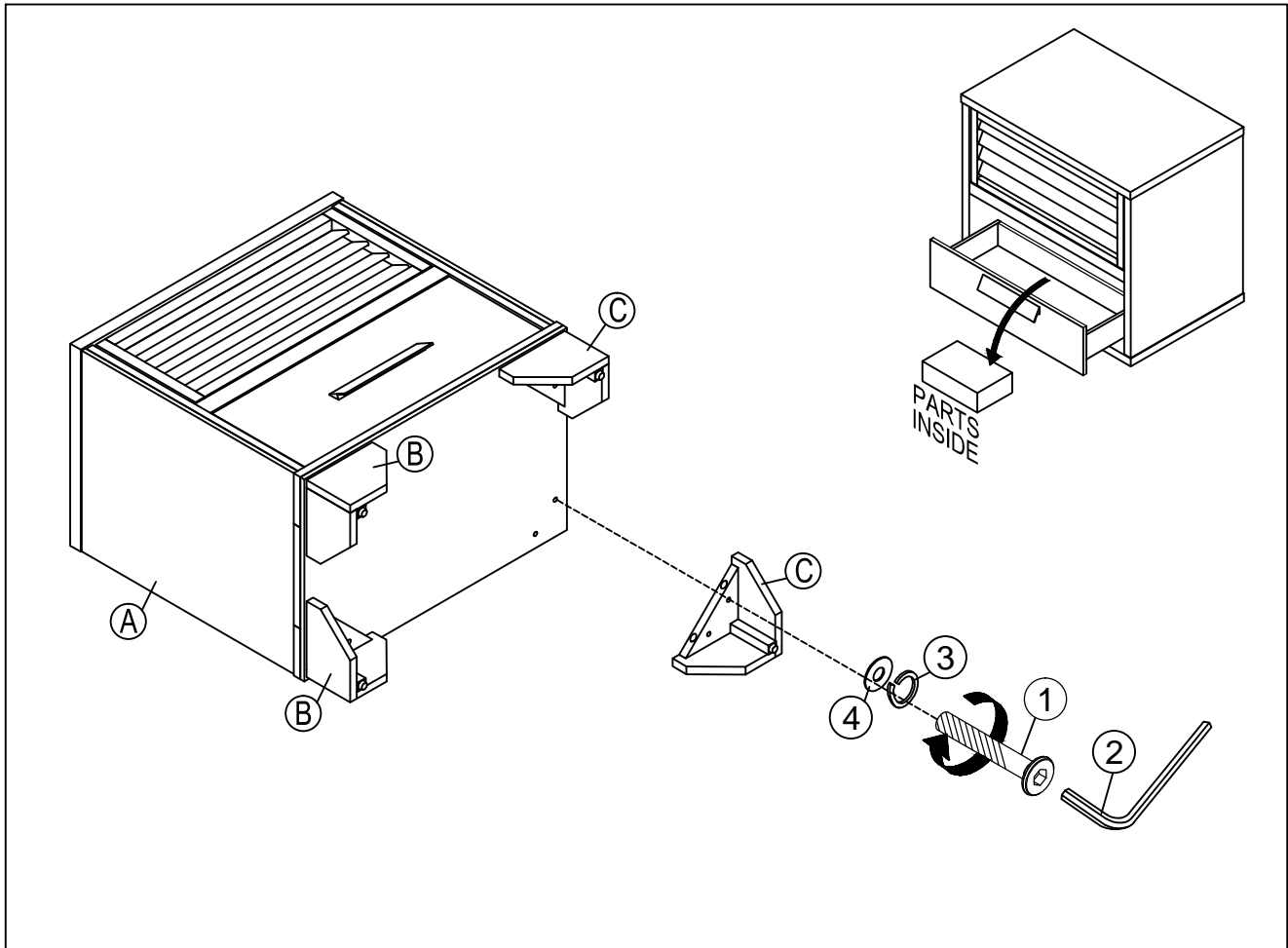
| ITEM | DRAWING | DESCRIPTION | QTY |
|------|---------|--|-----|
| A | | NIGHTSTAND | 1 |
| B | | WOODEN LEG - L (PACKED INSIDE NIGHTSTAND BOTTOM DRAWER) | 2 |
| C | | WOODEN LEG - R (PACKED INSIDE NIGHTSTAND BOTTOM DRAWER) | 2 |

BOX OF NIGHTSTAND HARDWARE LIST

| ITEM | DRAWING | DESCRIPTION | QTY |
|------|---------|----------------------|-----|
| 1 | | SCREW - JCBC M6 X 35 | 8 |
| 2 | | ALLEN KEY M6 | 1 |
| 3 | | SPRING WASHER | 8 |
| 4 | | FLAT WASHER | 8 |



COMPLETED NIGHTSTAND ASSEMBLY



THE HARDWARE IS LOCATED IN THE PACKING ITEMS

NOTE : MUST TIGHTEN SCREWS PERIODICALLY. WITH USE SCREW MAY BECOME LOOSE. CHECK TIGHTNESS OF ALL SCREW EVERY 6-8 WEEKS.