



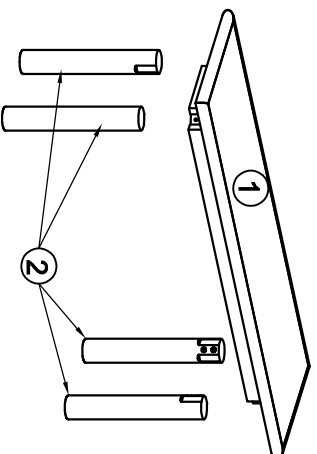
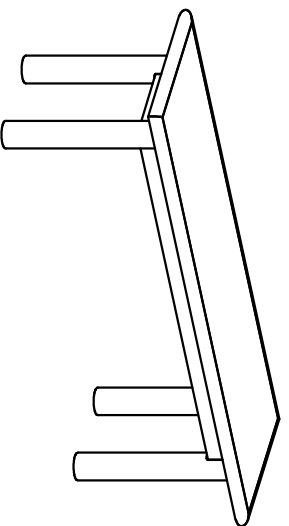


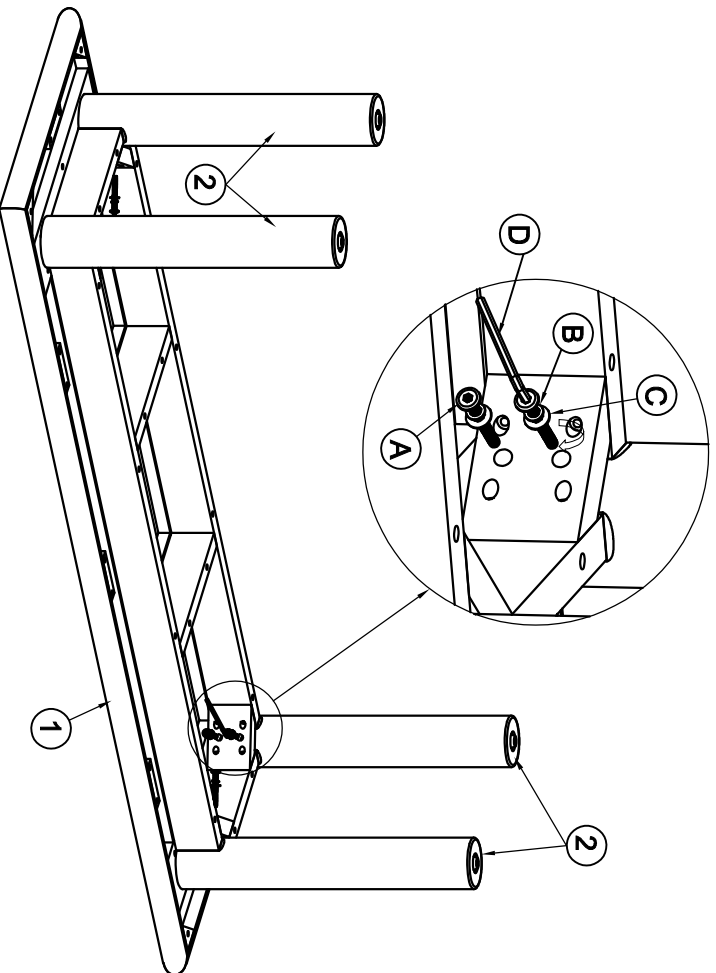
# ASSEMBLY INSTRUCTION FOR MODEL: MATTIA DINING BENCH

## HARDWARE LIST

A		Bolts	M8x80	8
B		Lock washer	8.5mm	8
C		Flat washer	9.5mm	8
D		Allen key	K4	1



### Step: 1



### Step: 2

