



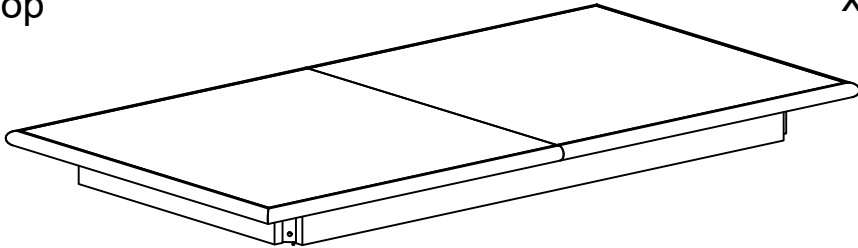
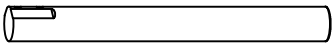
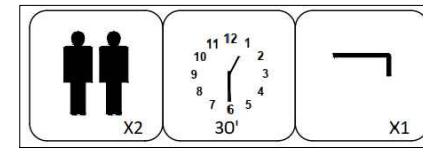
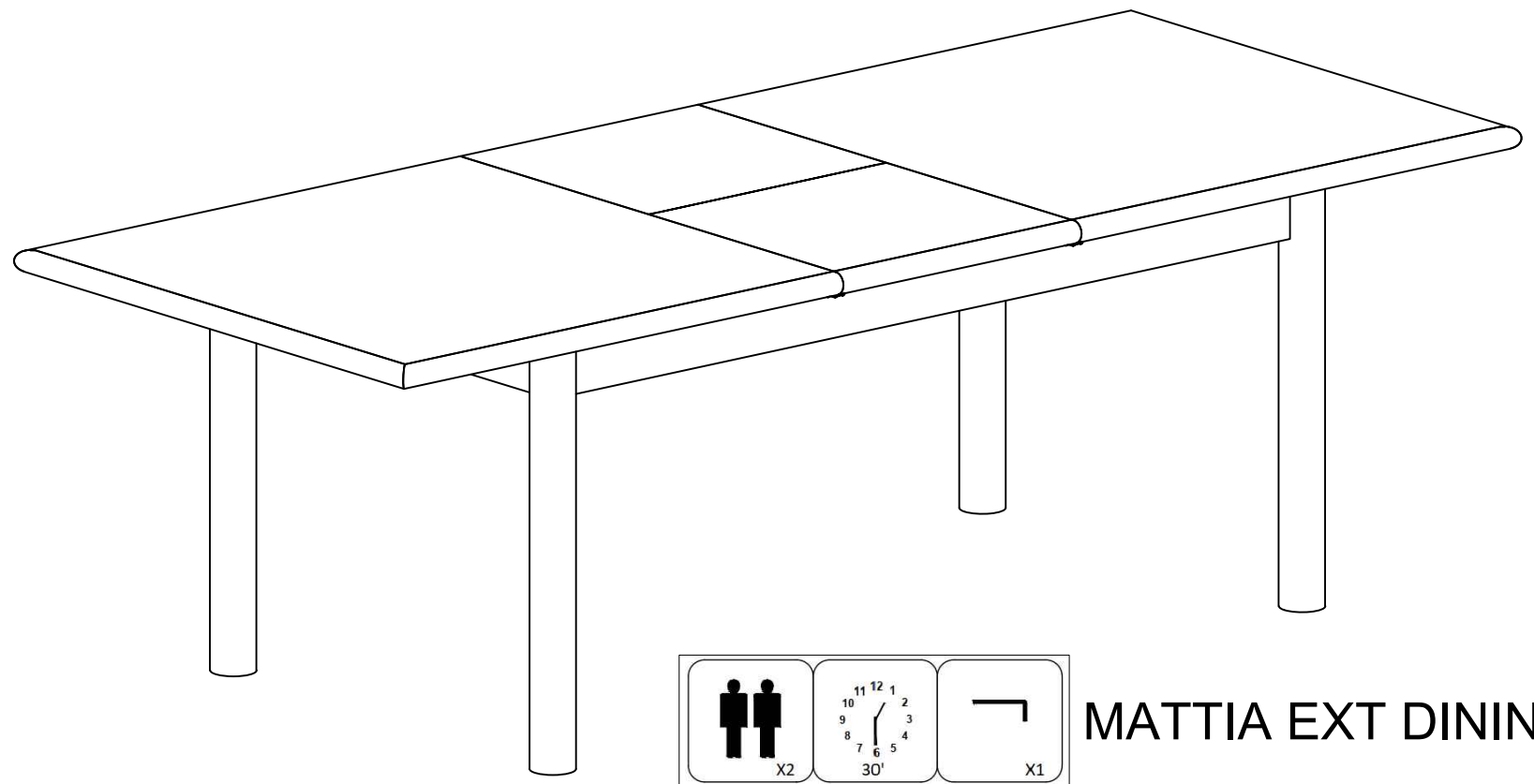
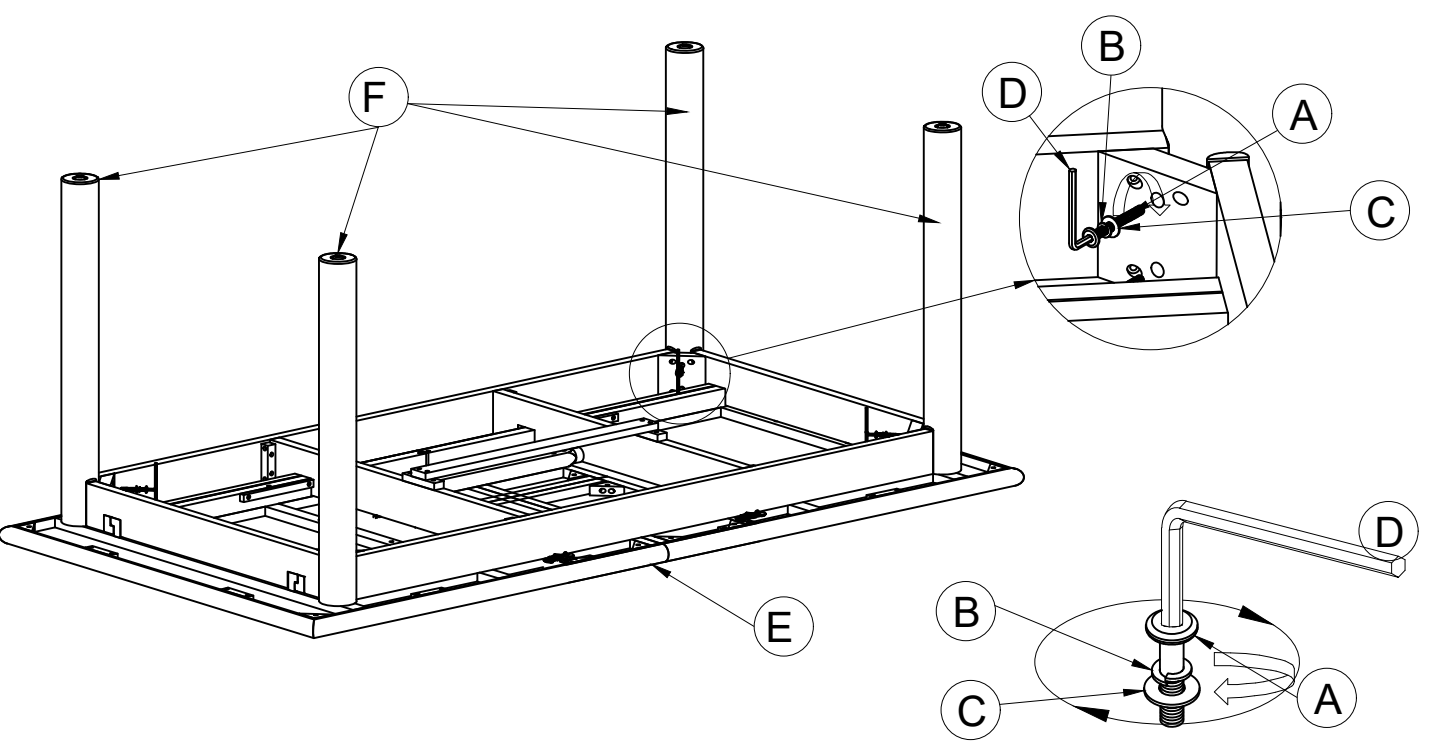


A	Bolts	8mmx80mm		x 8
B	Lock washer	8.5mm		x 8
C	Flat washer	9.5mm		x 8
D	Allen key	K4		x 1
E	Top			x 1
F	Leg			x 4

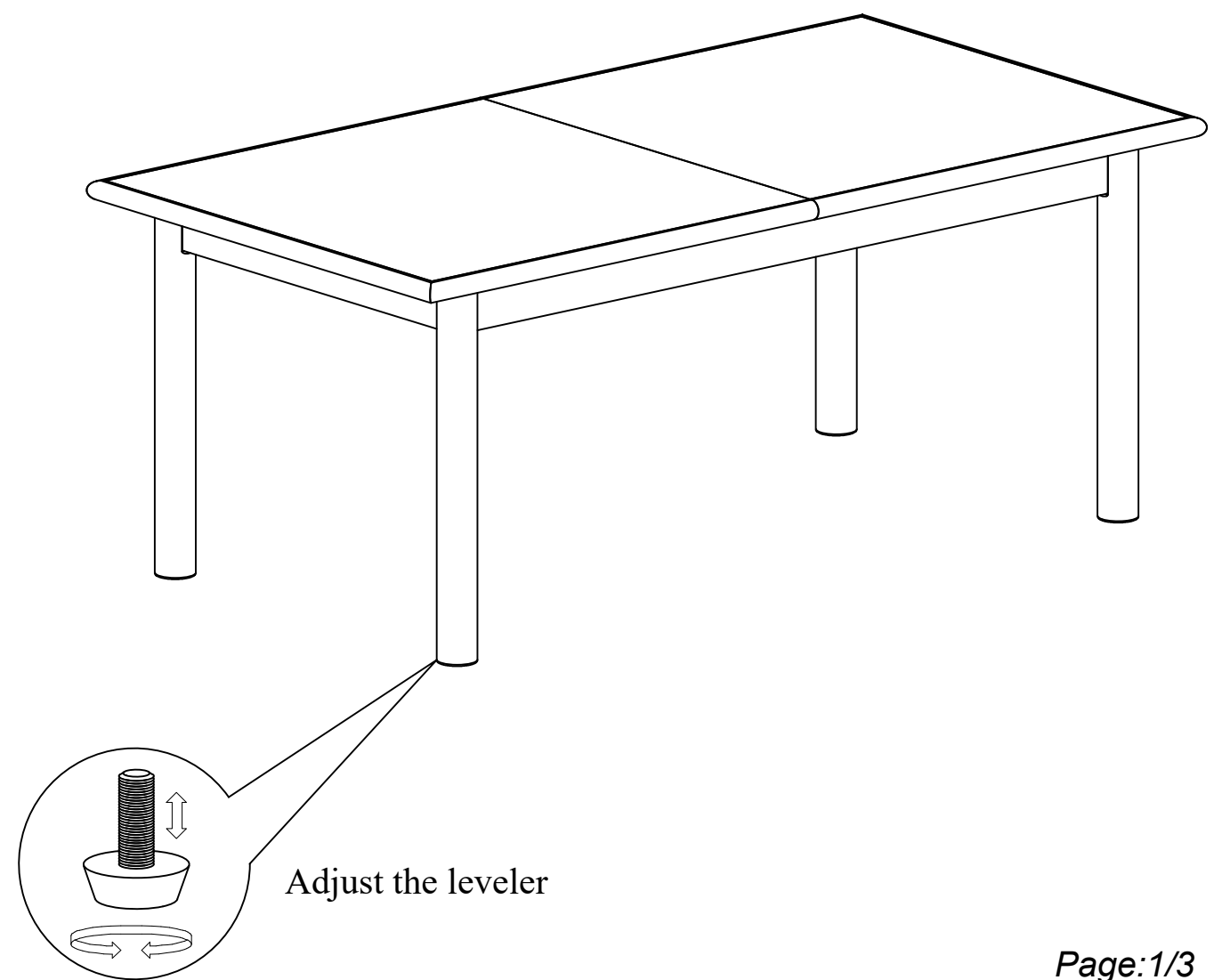


MATTIA EXT DINING TABLE

1

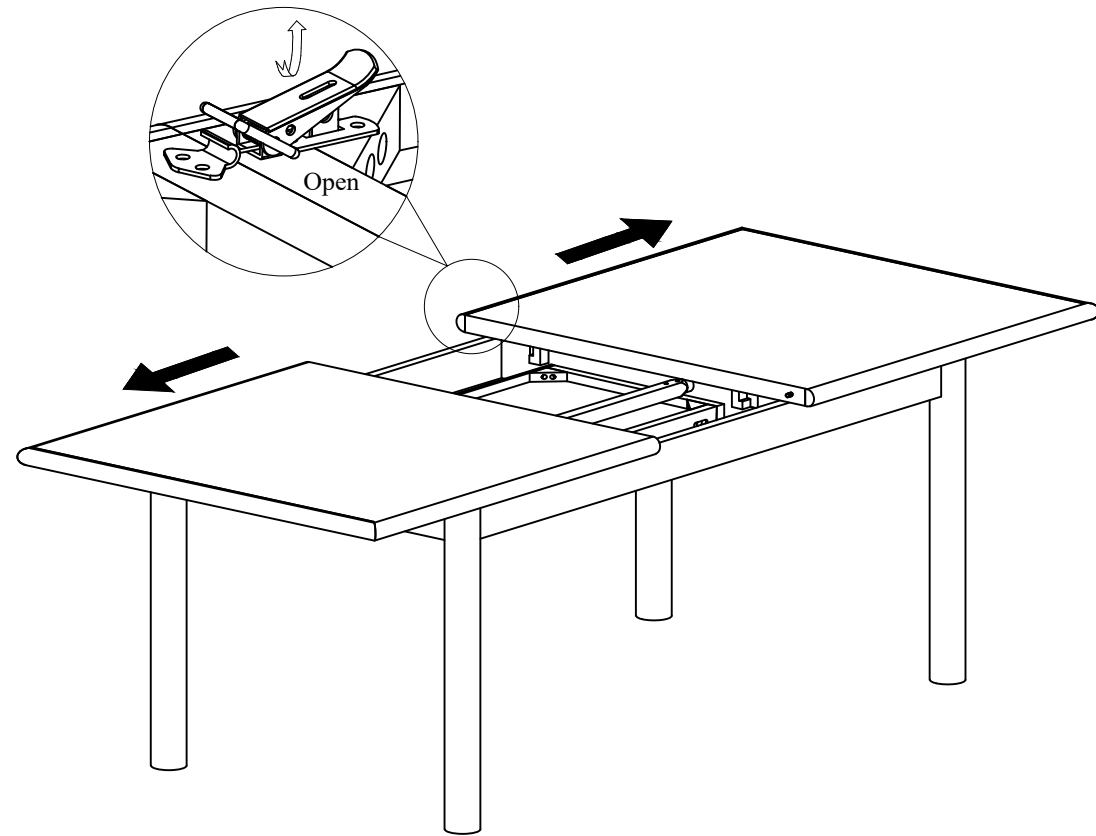


2

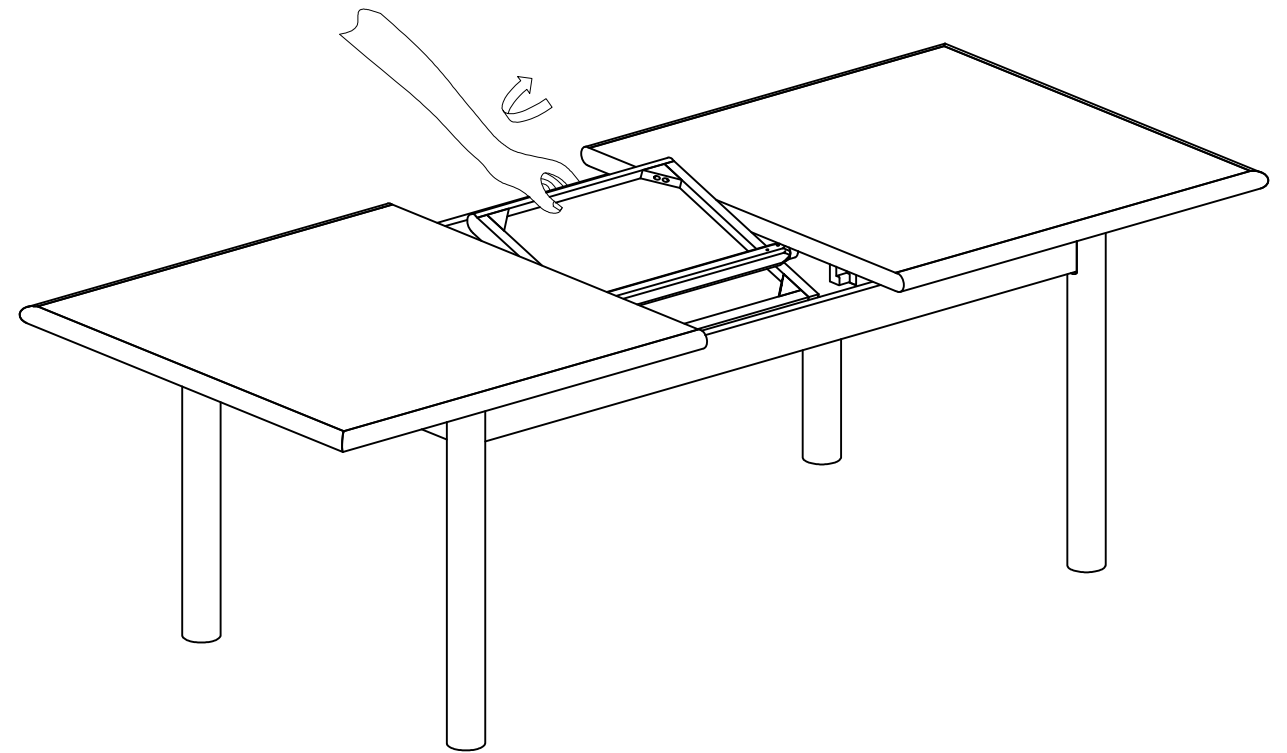


ASSEMBLY INSTRUCTION

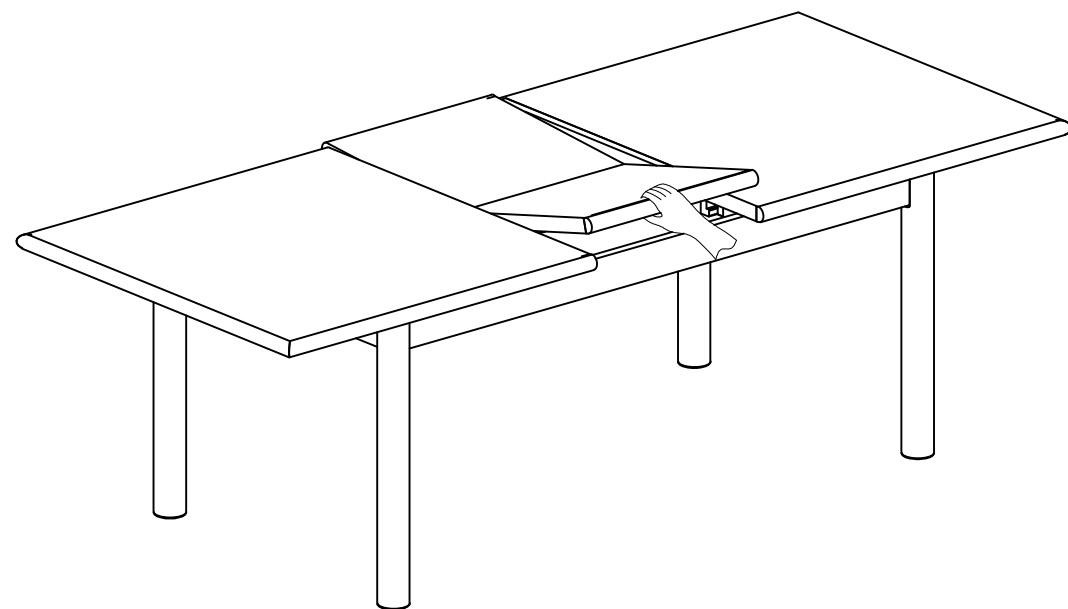
3



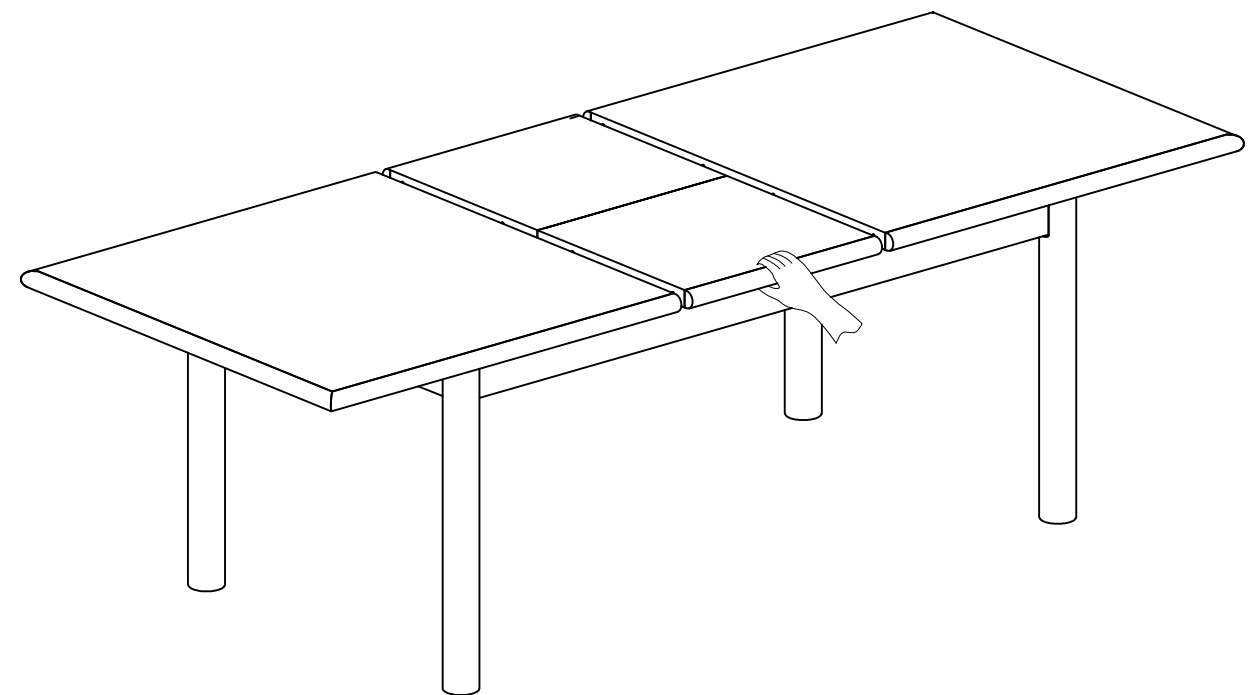
4



5

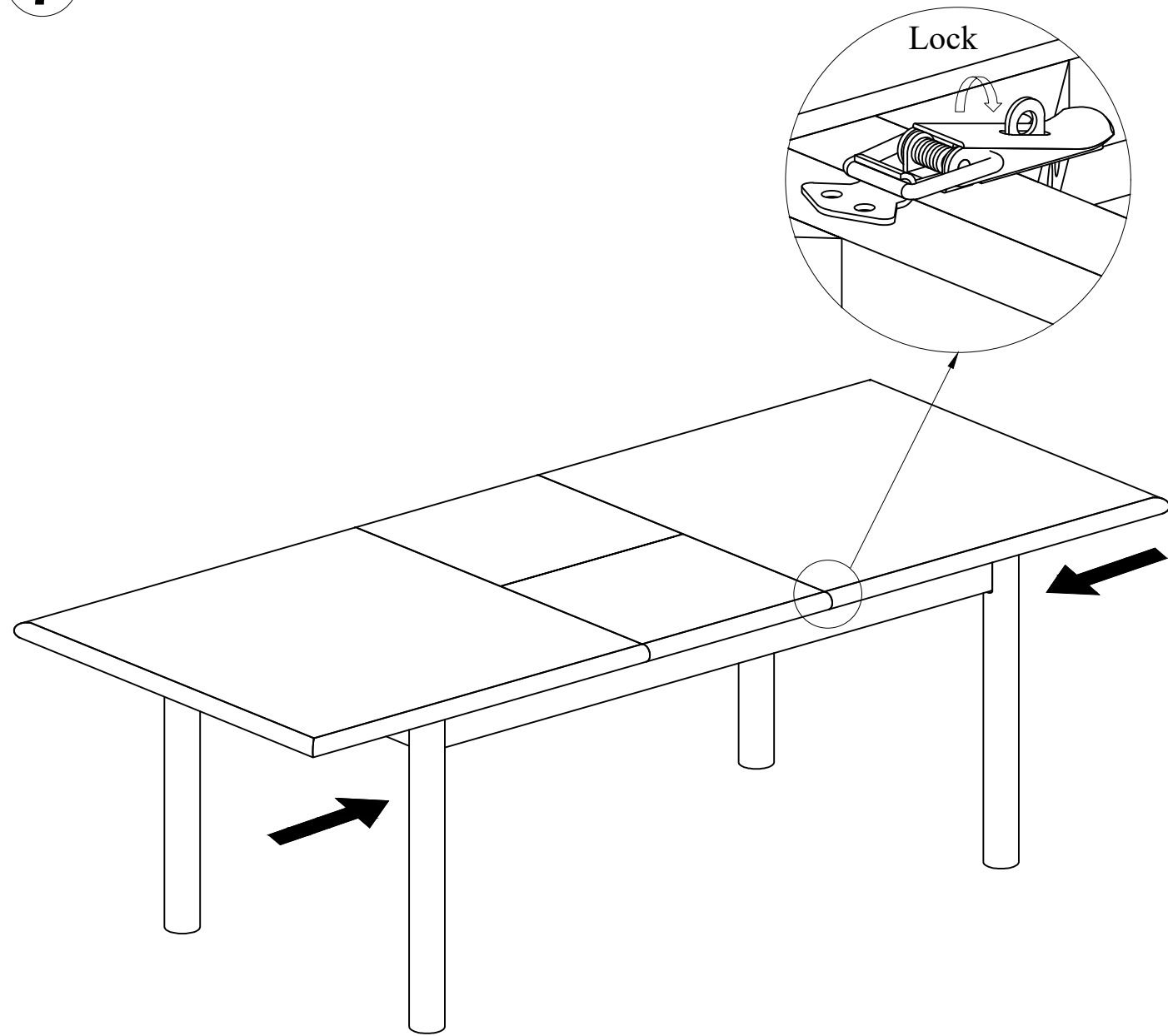


6



ASSEMBLY INSTRUCTION

7



8

