



LIVING SPACES

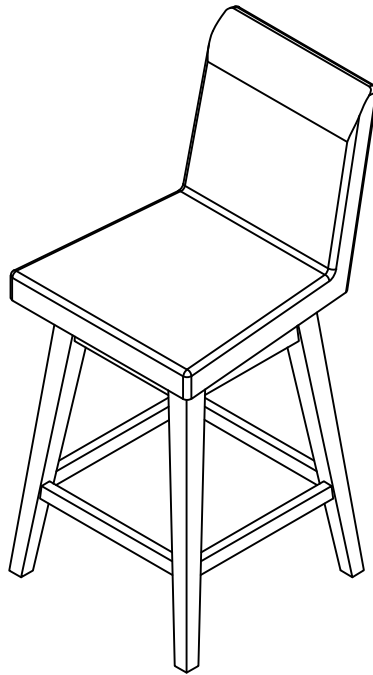
ASSEMBLY INSTRUCTION

JESSY CREAM 26 INCH SWIVEL COUNTER STOOL

ITEM NO:SD2021-01CC-CREAM / 284938



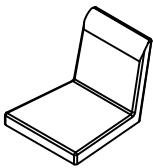
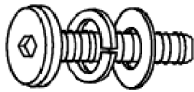
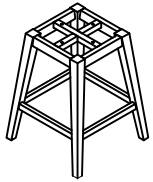

Scan QR Code to view assembly video



SKU #284938

Box of Cushion Seat & Wood Base

Hardware List

SKU#	IMAGE	DISCRIPTION	QTY	SKU#	IMAGE	DISCRIPTION	QTY
#284I		Cushion Seat	1	#284K		Allen Bolt 1/4"x64mm, Flat washer & Spring washer	4
#284J		Wood Base	1	#284L		Allen wrench	1

1

