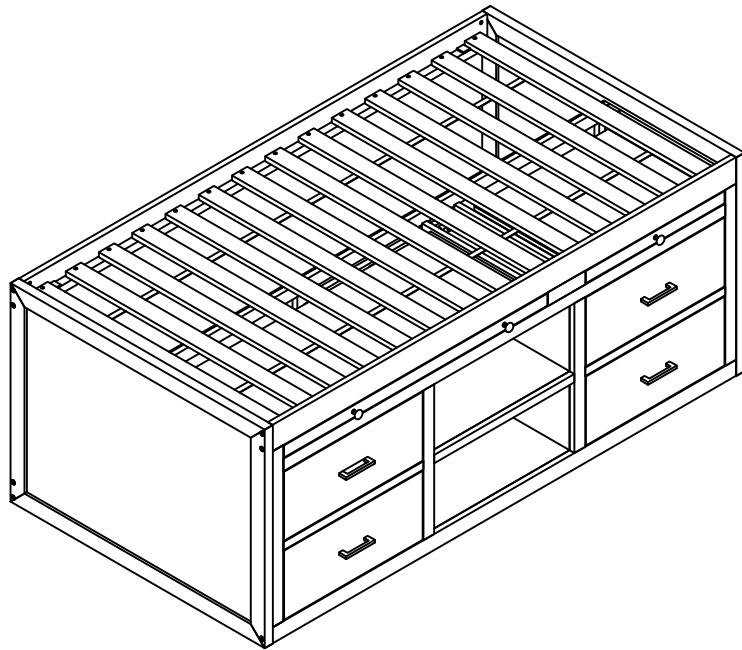




Scan QR code to
view assembly video

REESE WHITE TW/FL CAPTAINS BED



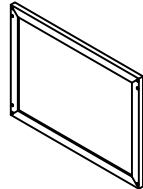
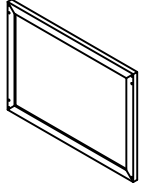
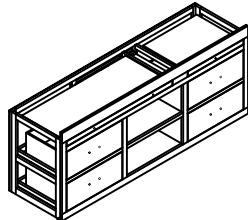
SP-2136 / 284603- Twin Captains Bed

SP-2137 / 284606- Full Captains Bed




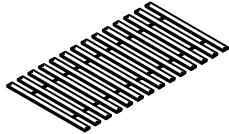
Box 1- Side Panels & Cabinet
SKU# 284601- Twin Captains Bed
SKU# 284604- Full Captains Bed

Part List

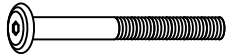





Part#	Description	Image & Quantity
#1	Left Side Panel	 x1
#2	Right Side Panel	 x1
#3	Cabinet	 x1

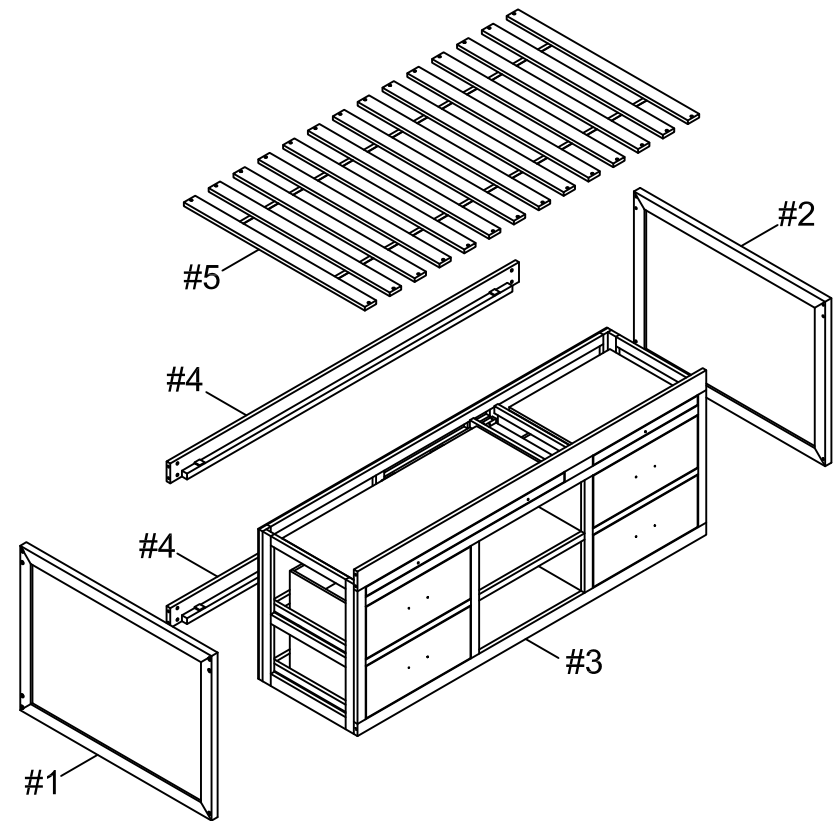
Box 2- Slats & Side Rails & Hardware
 SKU# 284602- Twin Captains Bed
 SKU# 284605- Full Captains Bed

Part List

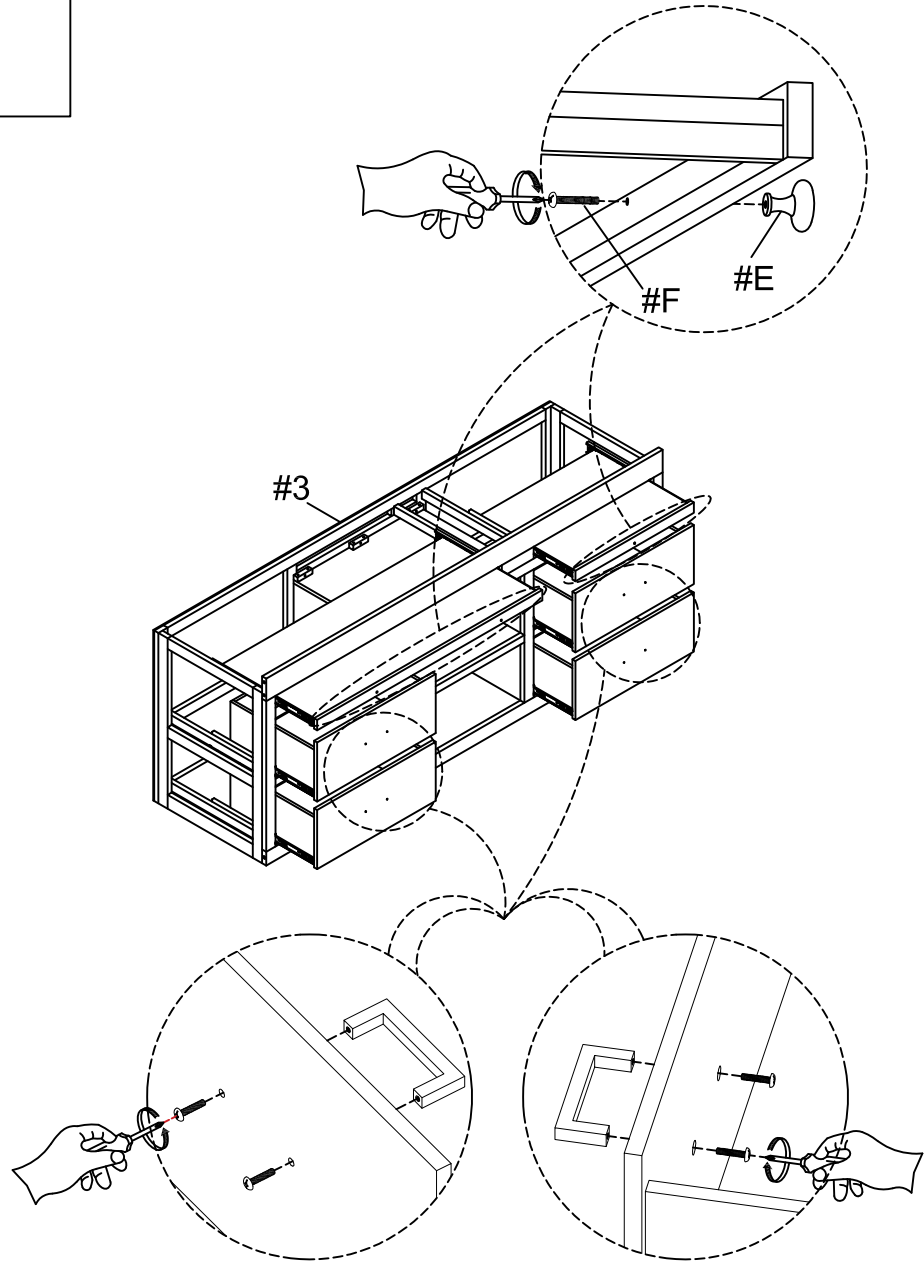
Part#	Description	Image & Quantity
#4	Side Rail	 x2
#5	Slat (14pcs)	 x1

Hardware List

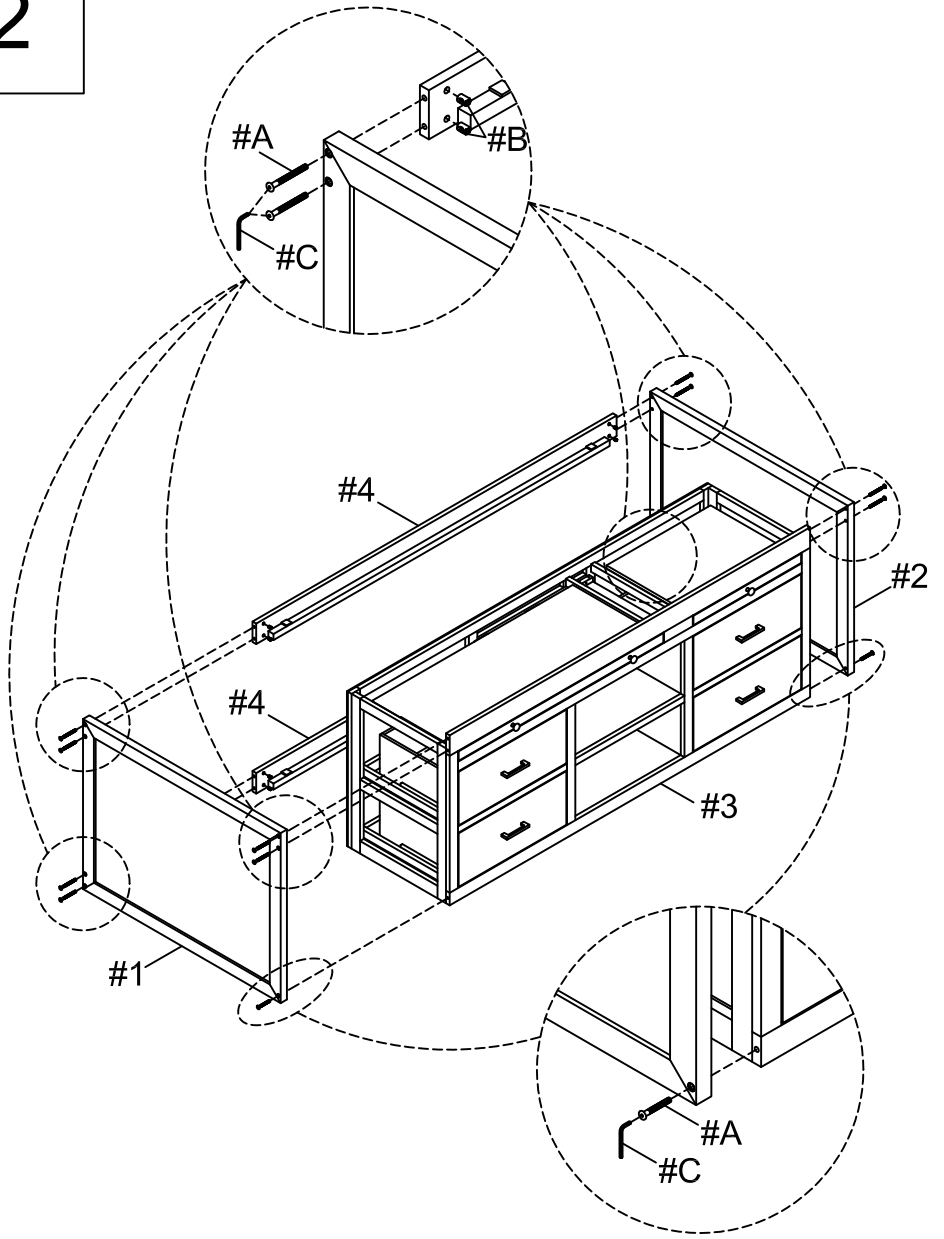
Part#	Description	Image & Quantity
#A	Bolt Ø1/4"x65mm"(D13)	 x14
#B	Barel Nut Ø1/4"	 x12
#C	Allen Key	 x1
#D	Screw #4x30mm	 x28
#E	Knob	 x3
#F	Bolt Ø5/32"x45mm	 x3



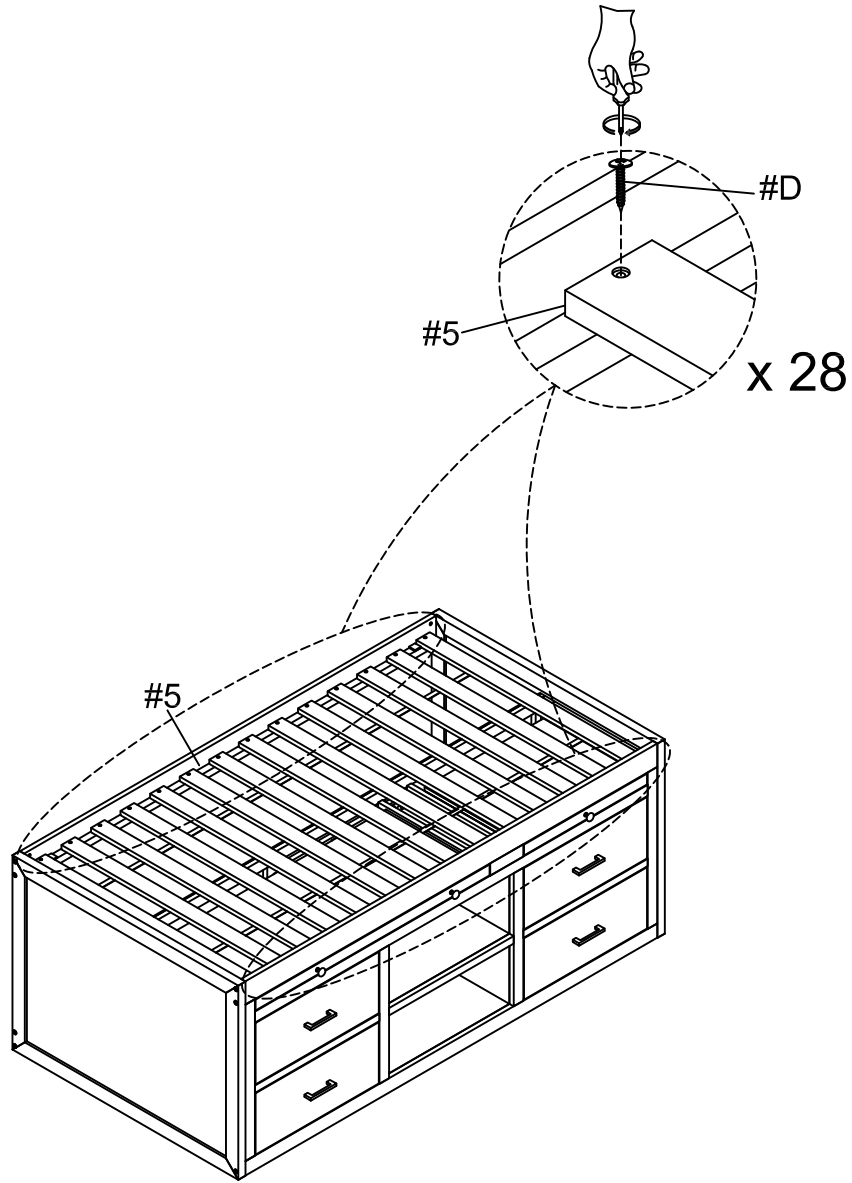
1



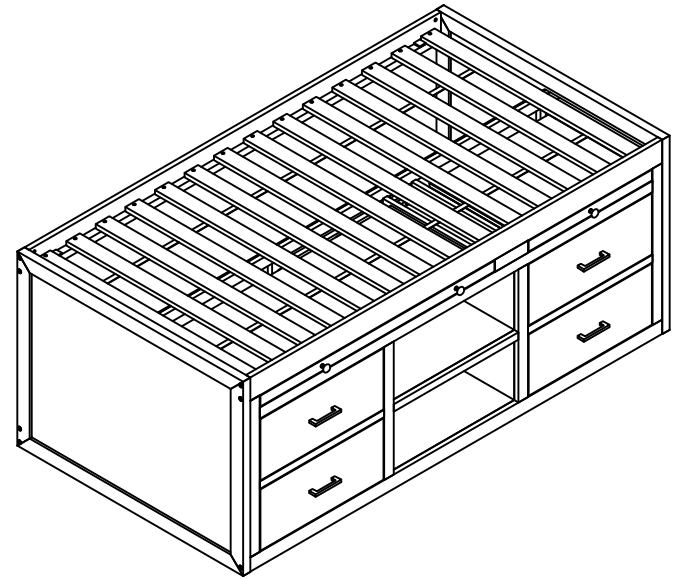
2



3



4



SAFETY WARNING

SAFETY WARNINGS

1. Follow the information on the warnings attached to the upper bunk end structure and on the carton. Do not remove this label from bed.
2. Always use the recommended size mattress or mattress support, or both, to help prevent the likelihood of entrapment or falls.
3. Surface of mattress must be at least five inches(127mm) below the upper edge of guardrails.
4. Do not allow children less than six years of age to use the upper bunk.
5. Periodically, check and ensure that the guardrail, ladder and other components are in their proper position, free from damage and that all connectors are tight.
6. Do not allow horseplay on or under the bed and prohibit jumping on the bed.
7. Always use the ladder or bed end for entering and leaving the upper bunk.
8. Do not use substitute parts. Contact manufacturer or dealer for replacement parts.
9. Use of a night-light may provide added safety precautions for a child using the upper bunk.
10. If the bunk bed will be placed next to a wall, the guardrail that runs the full length of the bed should be placed against the wall to prevent entrapment between the bed and the wall. (This applies only to bunk beds without two full-length guardrails.)
11. Always use guardrails on both long sides of the upper bunk.
12. The use of water or sleep flotation mattress is prohibited.
13. Keep these instructions for future reference.
14. Prohibit more than one person on upper bunk.

STRANGULATION HAZARD

15. Never attach or hang items to any part of the bunk bed that are not designed for use with the bed for example, but not limited to hooks, belts and jump ropes.

STRANGULATION HAZARD

Use only mattress which is 75" long and 38"(For Twin) and 75" long and 54"(For Full) wide on upper bunk

Ensure thickness of mattress does not exceed 7" and mattress is at least 5" below upper edge of guardrail.